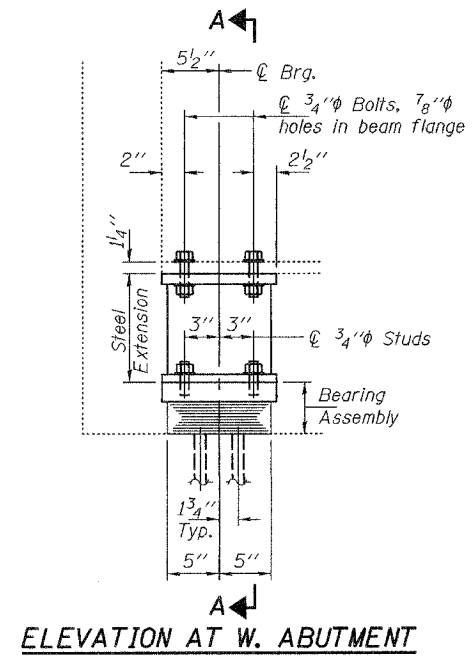


STATE OF ILLINOIS
DEPARTMENT OF TRANSPORTATION

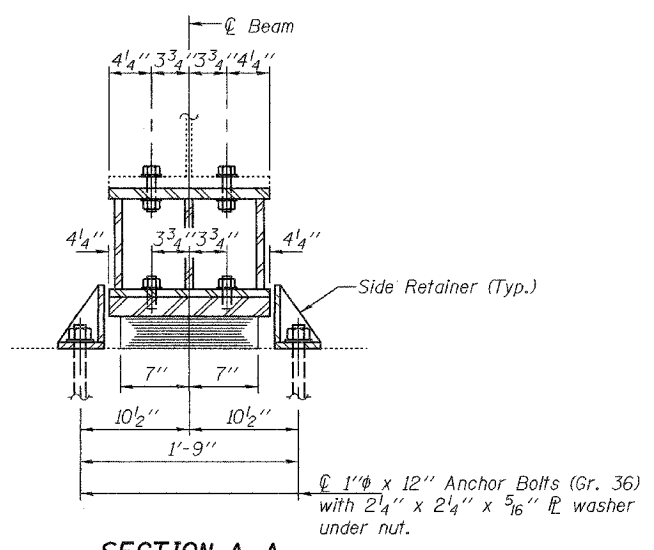
ROUTE NO.	SECTION	COUNTY	DIST.	SHEET NO.
FAI 72		MACON	88	41
FED. ROAD DIST. NO. 7		ILLINOIS		FED. AID PROJECT-

SHEET NO. 2
3 SHEETS

Contract Number: 74171



ELEVATION AT W. ABUTMENT

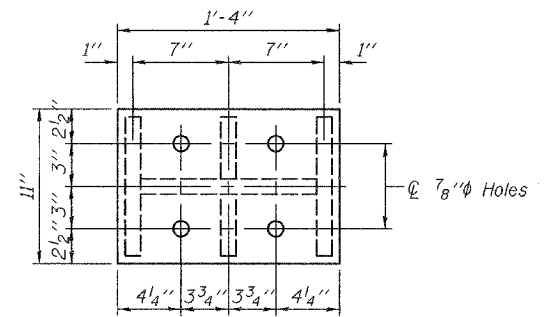


SECTION A-A

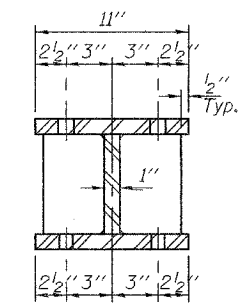
BEAM REACTIONS

R _P	(K)	57.2
R _L	(K)	42.4
Imp.	(K)	8.9
R (Total)	(K)	108.5

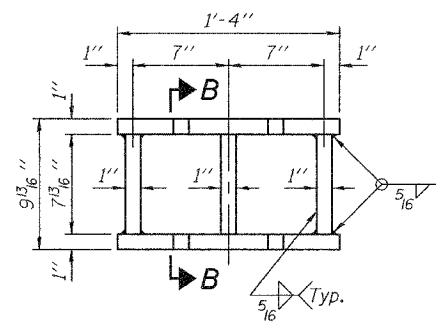
Notes:
Diaphragm removal and reinstallation may be required to facilitate drilling holes. Cost included with Furnishing and Erecting Structural Steel.
New steel extensions, shim plates and connection bolts are included with Furnishing and Erecting Structural Steel.
Prior to ordering any material, the Contractor shall verify in the field all bearing height and shim thickness dimensions. Min. jack capacity = 65 Tons.
Anchor bolts shall be ASTM F1554 all-thread (or an Engineer-approved alternate material) of the grade(s) and diameter(s) specified. ASTM A307 Grade C anchor bolts may be used in lieu of ASTM F1554 Grade 36 (F_y=36ksi). The corresponding specified grade of AASHTO M314 anchor bolts may be used in lieu of ASTM F1554.
Drilled and set anchor bolts shall be installed according to Article 521.06 of the Standard Specifications.
Side retainers shall be included in the cost of Elastomeric Bearing Assembly, Type I.



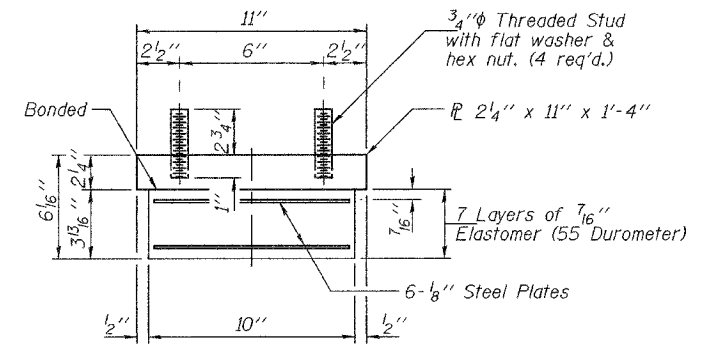
PLAN TOP AND BOTTOM PLATE



SECTION B-B

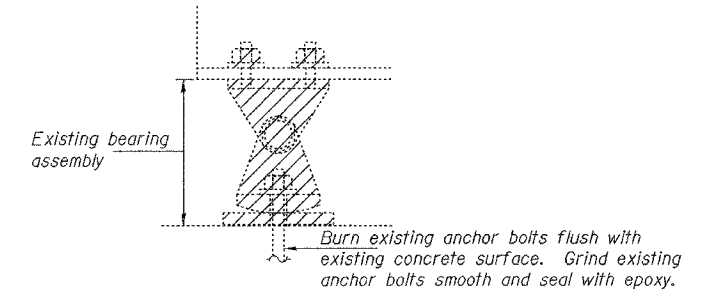


STEEL EXTENSION DETAIL



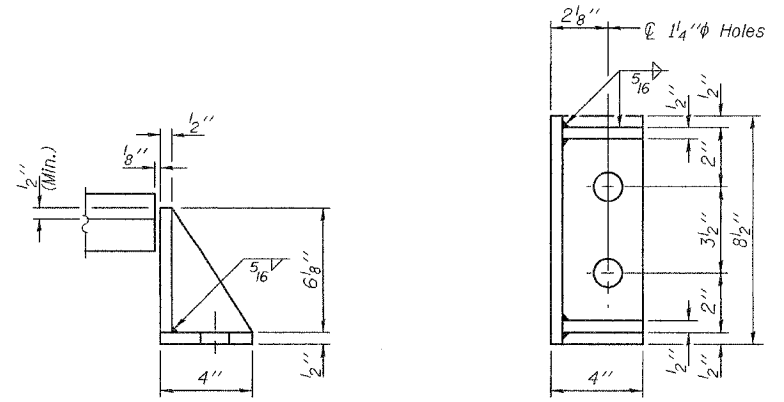
BEARING ASSEMBLY

Note:
Shim plates shall not be placed under Bearing Assembly.



EXISTING BEARING REMOVAL DETAIL

Cost included with Jack and Remove Existing Bearings.



SIDE RETAINER

Equivalent rolled angle with stiffeners will be allowed in lieu of welded plates.

BILL OF MATERIAL

Item	Unit	Total
Elastomeric Bearing Assembly Type I	Each	12
Jack and Remove Existing Bearings	Each	12
Furnishing and Erecting Structural Steel	Pound	2380
Anchor Bolt 1"φ	Each	48

WEST ABUTMENT BEARING
REPLACEMENT DETAILS
FAI RT. 72 OVER FRIENDS CREEK
MACON COUNTY
SN 058-0093 & 0094

DESIGNED	AJB
CHECKED	SJB
DRAWN	ballva
CHECKED	AJB SJB

APRIL 18, 2008
EXAMINED *Carl Kreyer*
ENGINEER OF STRUCTURAL SERVICES
PASSED *Ralph E. Anderson*
ENGINEER OF BRIDGES AND STRUCTURES

TYI/REPS 11-01-2006