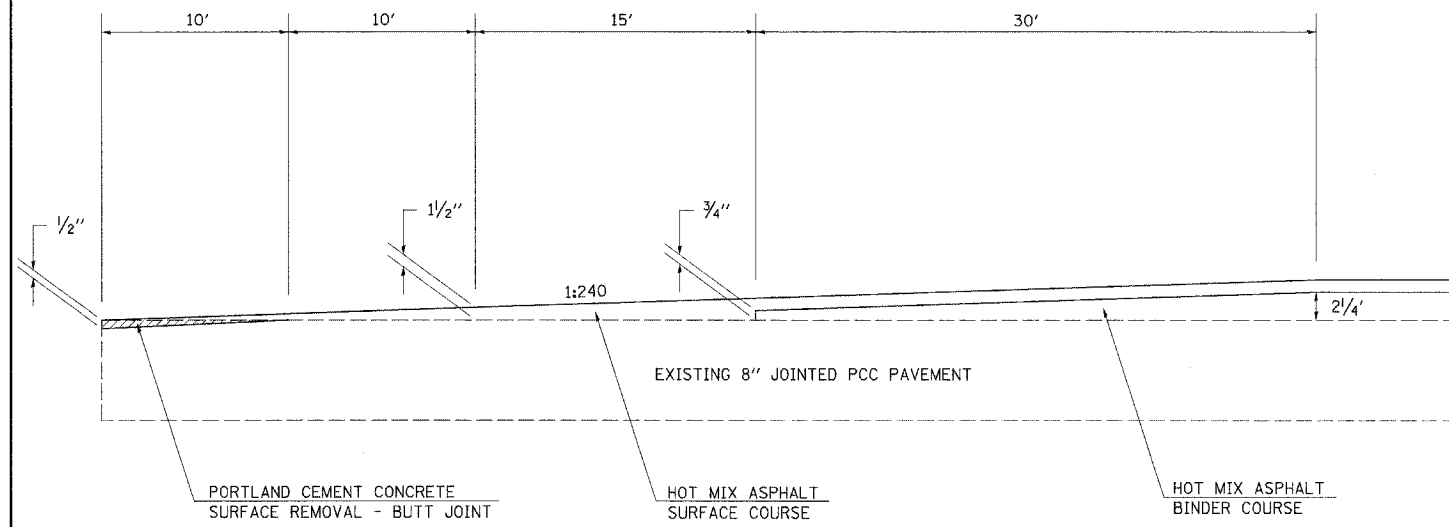
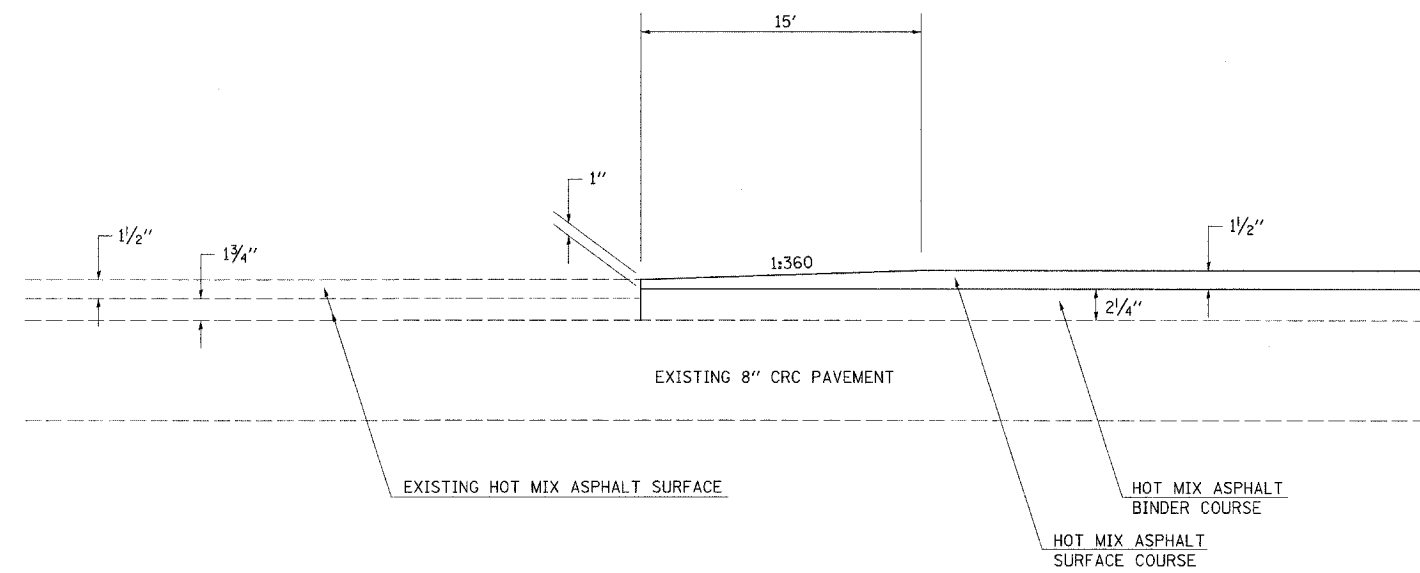


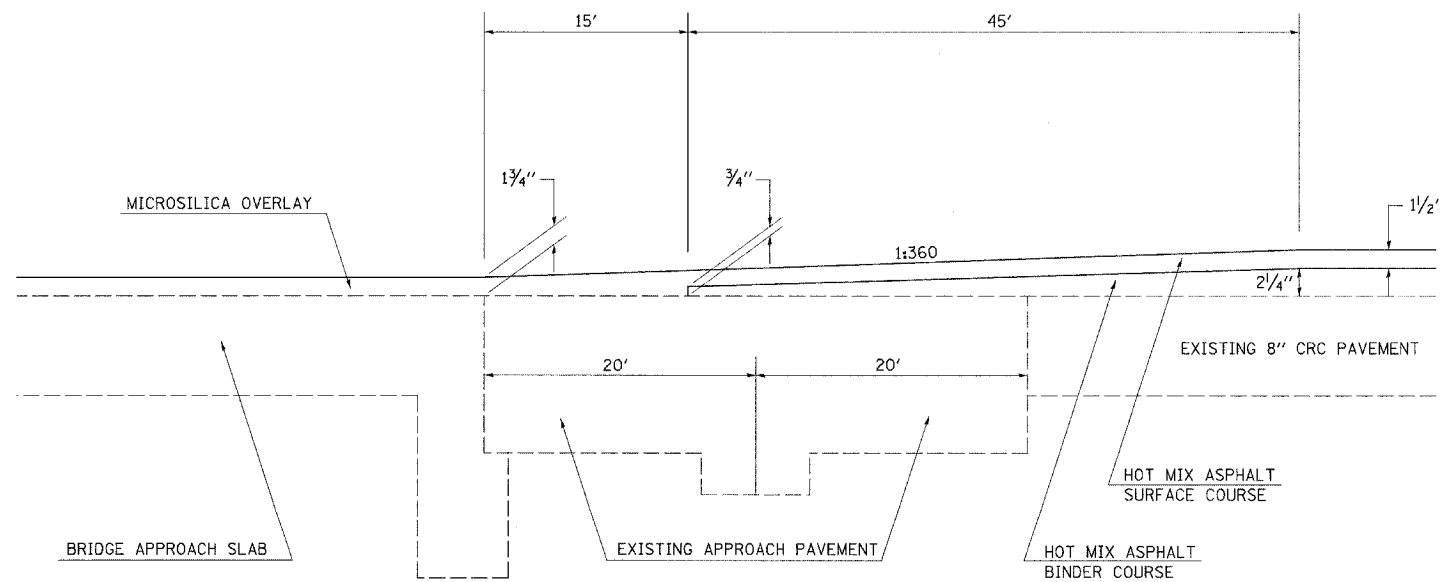
**BUTT JOINT DETAIL FOR
REST AREA RAMPS**



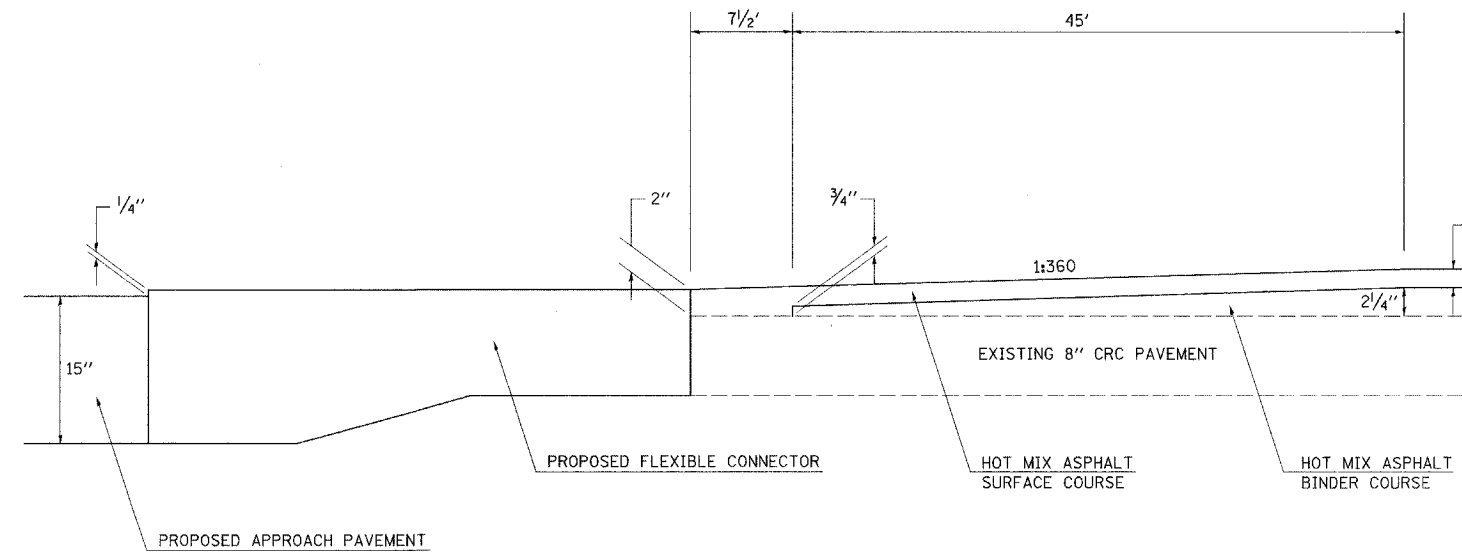
**BUTT JOINT DETAIL
STA. 700+98 & STA. 910+00**



**BUTT JOINT DETAIL
S.N. 058-0093 & 058-0094**



**BUTT JOINT DETAIL
S.N. 058-0095 (EAST APPROACH)**



FILE NAME = c:\projects\74171d\hdt\details.74171.dgn	USER NAME = swartzk	DESIGNED -	REVISED -
		DRAWN -	REVISED -
	PLOT SCALE = 20,0000' / IN.	CHECKED -	REVISED -
	PLOT DATE = 3/20/2009	DATE -	REVISED -

**STATE OF ILLINOIS
DEPARTMENT OF TRANSPORTATION**

DETAILS

SCALE: NA SHEET NO. OF SHEETS STA. TO STA.

F.A.I. RTE. 72	SECTION (58,74)(66,67)RS-1	COUNTY MACON	TOTAL SHEETS 88	SH N 7
FED. ROAD DIST. NO.			ILLINOIS FED. AID PROJECT	
CONTRACT NO. 741				