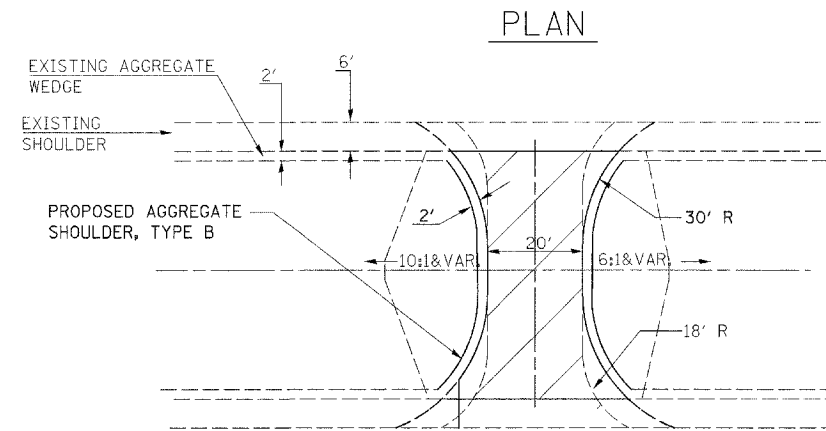
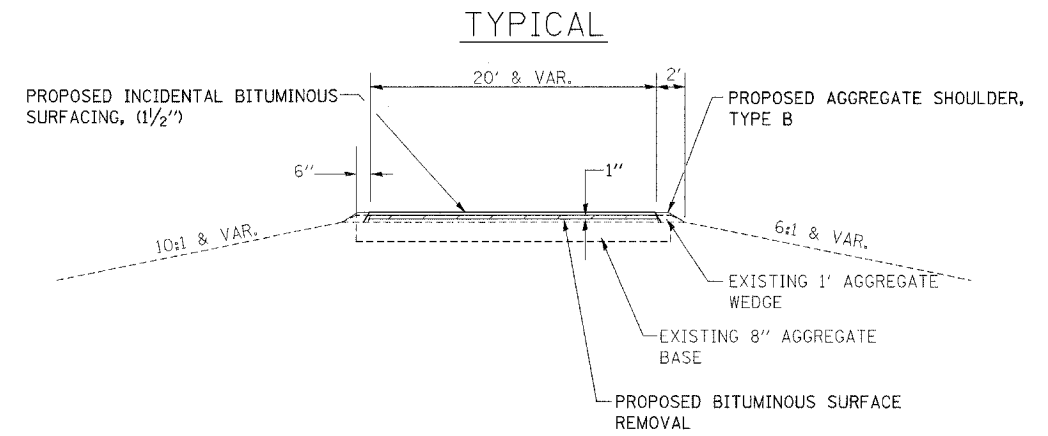
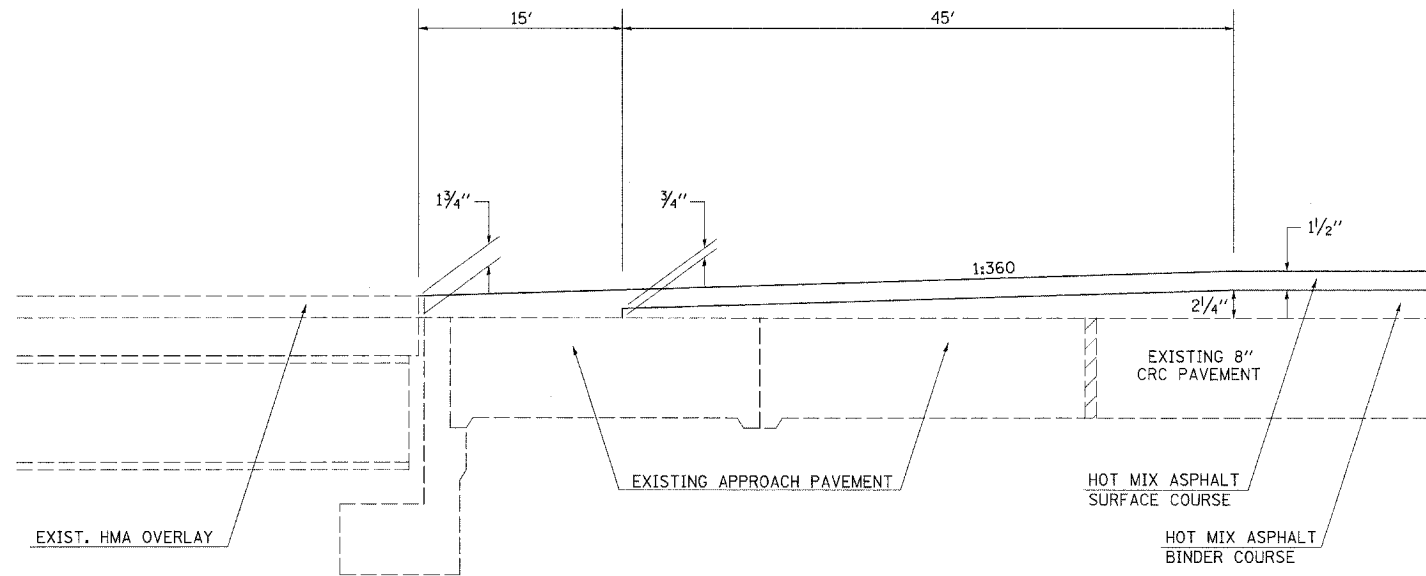


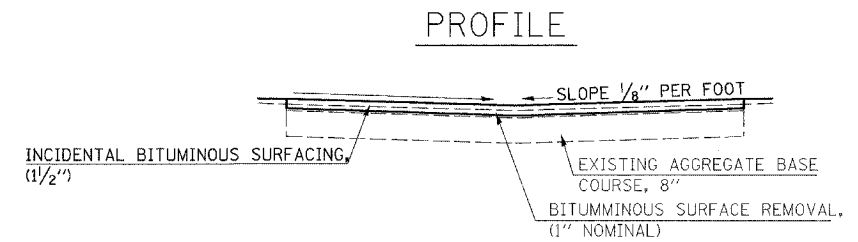
BUTT JOINT DETAIL
S.N. 058-0095 (EAST APPROACH)
STAGE I



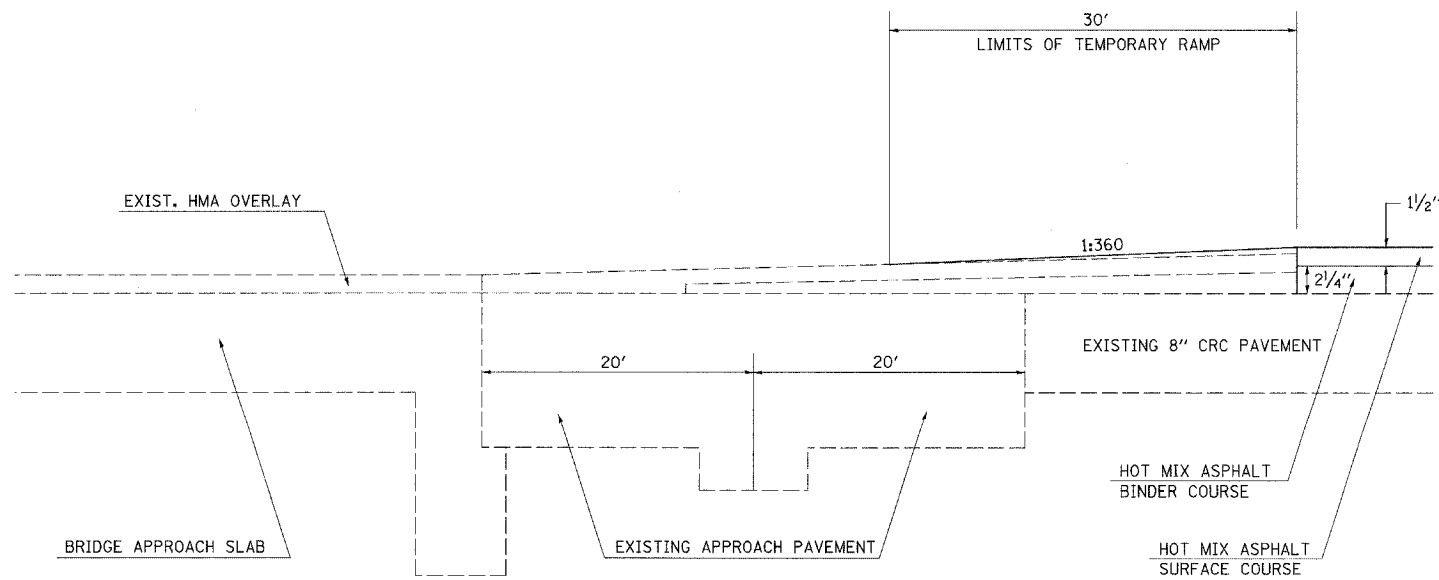
 BITUMINOUS SURFACE REMOVAL, 1"

NOTES

1.) OMIT RUMBLE STRIPS ON SHOULDERS WITHIN THE LIMITS OF THE MEDIAN CROSSOVER.



BUTT JOINT DETAIL
S.N. 058-0093, 0094, 0095 (WEST APP)
AND 0096
STAGE I



FILE NAME = c:\projects\7417\d\shdetails_74171.dgn	USER NAME = swartzw	DESIGNED -	REVISED -
		DRAWN -	REVISED -
	PLOT SCALE = 20.0000 "/td> <td>CHECKED -</td> <td>REVISED -</td>	CHECKED -	REVISED -
	PLOT DATE = 3/20/2008	DATE -	REVISED -

STATE OF ILLINOIS
DEPARTMENT OF TRANSPORTATION

DETAILS			
SCALE: NA	SHEET NO.	OF SHEETS	STA. TO STA.

F.A.I. RTE.	SECTION	COUNTY	TOTAL SHEETS	SH. N.
72	(58,74)(66,67)RS-1	MACON	88	6
FED. ROAD DIST. NO.			ILLINOIS FED. AID PROJECT	
			CONTRACT NO. 741	