

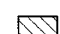
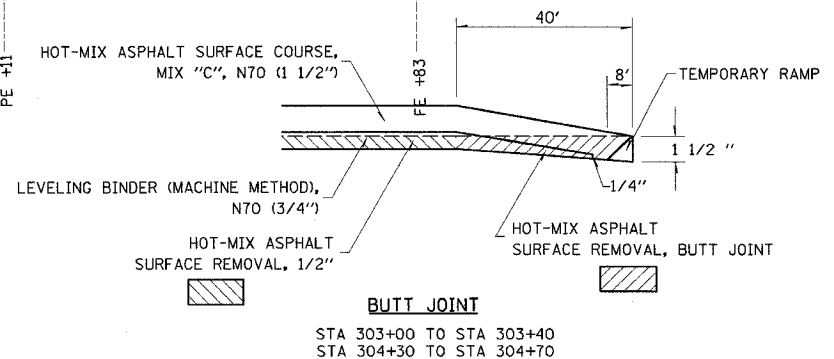
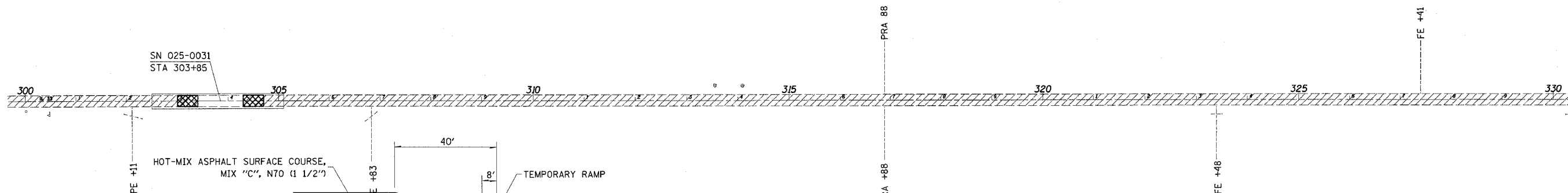


-  BUTT JOINT
-  HOT-MIX ASPHALT SURFACE REMOVAL, 1/2"
-  HOT-MIX ASPHALT SURFACE REMOVAL, 2 1/4"



BUTT JOINT
 STA 303+00 TO STA 303+40
 STA 304+30 TO STA 304+70

FILE NAME =	USER NAME = teeslegk	DESIGNED -	REVISED -
at\projects\74251d\shp\plan_74251.dgn		DRAWN -	REVISED -
		CHECKED -	REVISED -
		DATE -	REVISED -

**STATE OF ILLINOIS
 DEPARTMENT OF TRANSPORTATION**

PLAN SHEET

SCALE: 100 SHEET NO. OF SHEETS STA. 270+00 TO STA. 330+00

F.A.P. RTE.	SECTION	COUNTY	TOTAL SHEETS	SHEET NO.
774		EFFINGHAM	33	27
CONTRACT NO. 74251				
FED. ROAD DIST. NO. ILLINOIS FED. AID PROJECT				

• (1-1MFT,1-WMFT,104Z,104RS-2