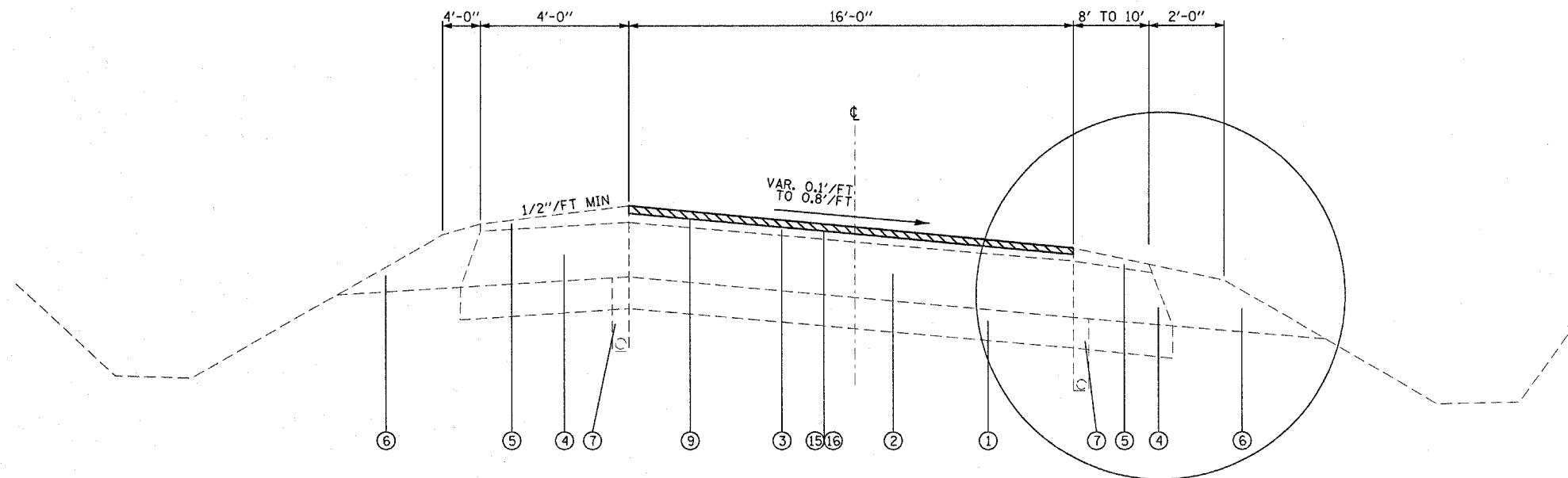


EXISTING TYPICAL SECTIONS

RAMPS: A(1-3)
 RAMPS: B(1-8)
 RAMPS: C(1-8)
 RAMPS: D(2,4,5,8)



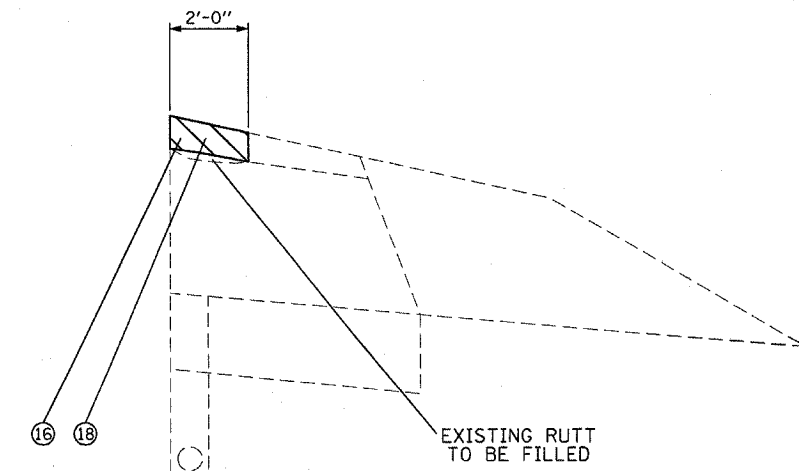
PROPOSED TYPICAL SECTIONS

RAMPS: A(1-3)
 RAMPS: B(1-8)
 RAMPS: C(1-8)
 RAMPS: D(2,4,5,8)

LEGEND

- ① EXIST. SUB-BASE GRANULAR MATERIAL
- ② EXIST. PCC PAVEMENT, 10"
- ③ EXIST. HOT-MIX ASPHALT OVERLAY
- ④ EXIST. HOT-MIX ASPHALT SHOULDER
- ⑤ EXIST. HOT-MIX ASPHALT SHOULDER OVERLAY
- ⑥ EXIST. AGG. SHOULDER
- ⑦ EXIST. UNDERDRAIN
- ⑧ EXIST. CONC. BARRIER
- ⑨ EXIST. LEVELING BINDER (MACHINE METHOD), VAR. DEPTH
- ⑩ EXIST. HOT-MIX ASPHALT SHOULDER, 4" (MOW STRIP)
- ⑪ EXIST. HIGH TENSION CABLE MEDIAN BARRIER
- ⑫ EXIST. PCC BASE COURSE WIDENING, 12"
- ⑬ EXIST. STABILIZED SUB-BASE, 4"
- ⑭ EXIST. JOINTED PCC PAVEMENT
- ⑮ EXIST. CRPCC PAVEMENT
- ⑯ PROPOSED HOT-MIX ASPHALT SURFACE REMOVAL, 2 1/2"
- ⑰ PROPOSED POLYMERIZED HOT-MIX ASPHALT SURFACE COURSE
- ⑱ PROPOSED HOT-MIX ASPHALT SHOULDERS 2 1/2"

SHOULDER DETAIL A-A



RAMP A(1,3-8)
 RAMP C(1-6,8)
 RAMP B(1-8)

NOTE: RAMP A-2 AND RAMP C-7 MILL AND RESURFACE BOTH SHOULDERS.

FILE NAME =	USER NAME = alfordb	DESIGNED -	REVISED -
ct\projects\ed06207\plan\pin06207a.dgn		DRAWN -	REVISED -
		CHECKED -	REVISED -
		DATE -	REVISED -

**STATE OF ILLINOIS
 DEPARTMENT OF TRANSPORTATION**

TYPICAL SECTIONS

SCALE: SHEET NO. OF SHEETS STA. TO STA.

F.A.I. RTE.	SECTION	COUNTY	TOTAL SHEETS	SHEET NO.
270	60-1,2,3,4RS-2	MADISON	193	8
FED. ROAD DIST. NO. [ILLINOIS] FED. AID PROJECT			CONTRACT NO. 76A90	