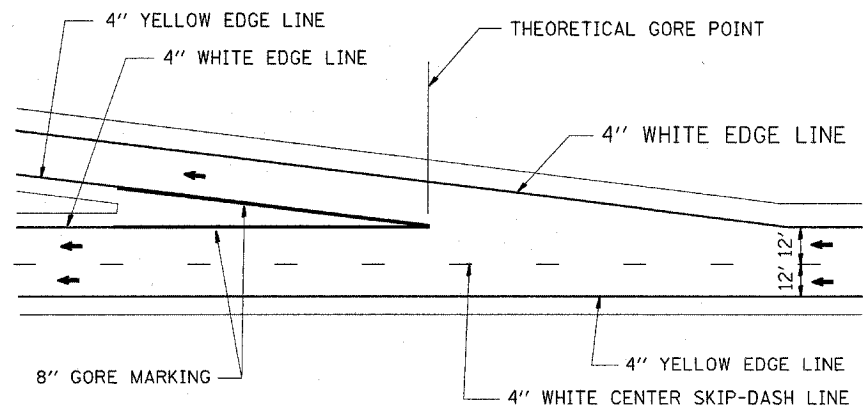


TYPICAL ENTRANCE RAMP MARKINGS
PM-B-2



TYPICAL EXIT RAMP MARKINGS
PM-C-2

FILE NAME = c:\projects\ed06207\plan\pmk06207a.dgn	USER NAME = sifordb	DESIGNED -	REVISED -	STATE OF ILLINOIS DEPARTMENT OF TRANSPORTATION	DETAILS				F.A.I. RTE.	SECTION	COUNTY	TOTAL SHEETS	SHEET NO.
	PLOT SCALE = 50.0000' / IN.	DRAWN -	REVISED -						270	60-11,2,3,4)RS-2	MADISON	193	191
	PLOT DATE = 4/23/2008	CHECKED -	REVISED -		SCALE: SHEET NO. OF SHEETS STA. TO STA.				FED. ROAD DIST. NO. ILLINOIS FED. AID PROJECT				
		DATE -	REVISED -						CONTRACT NO. 76A90				