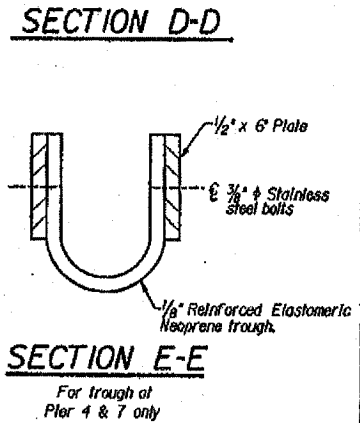
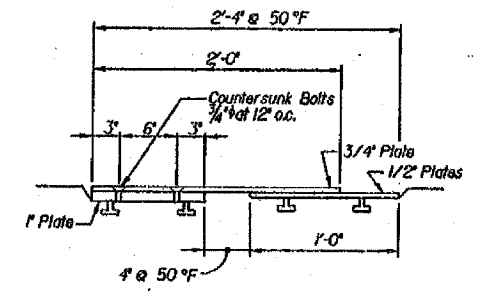
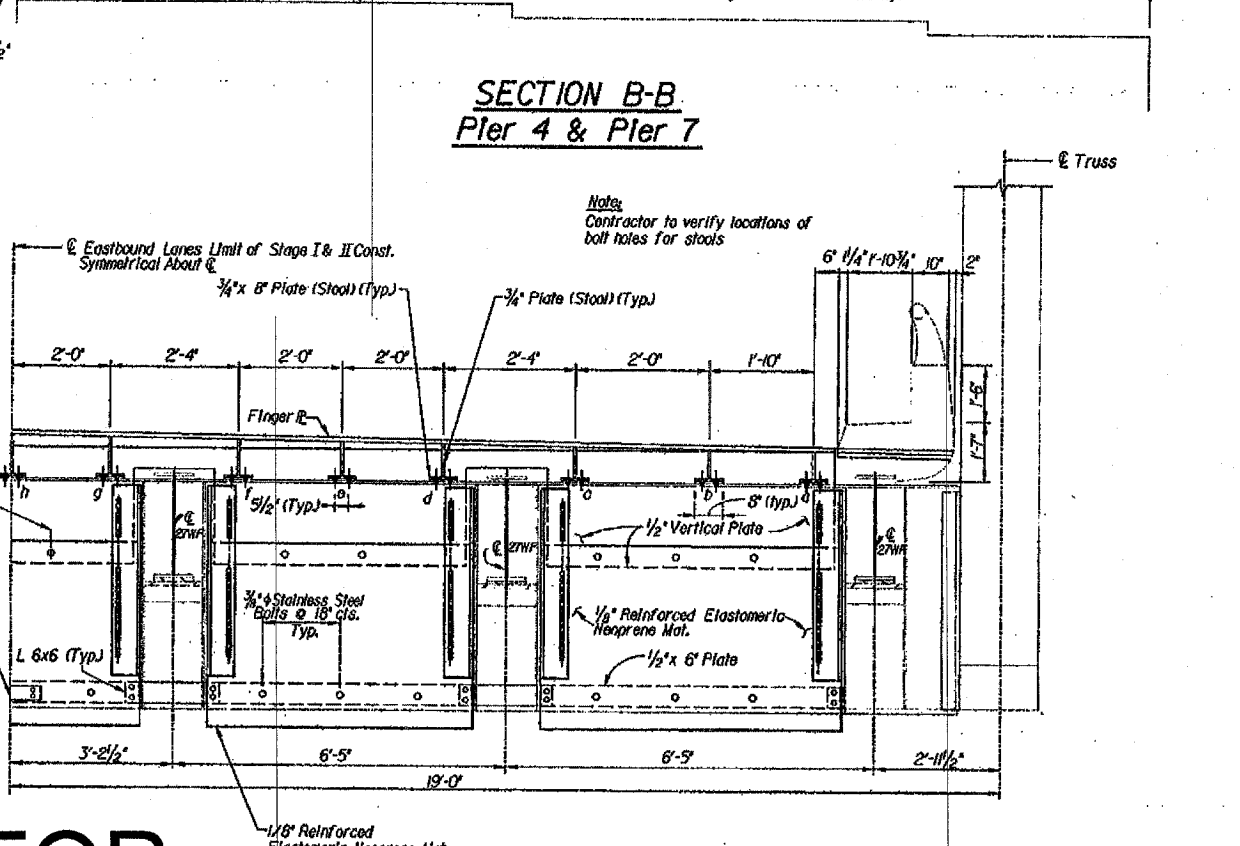
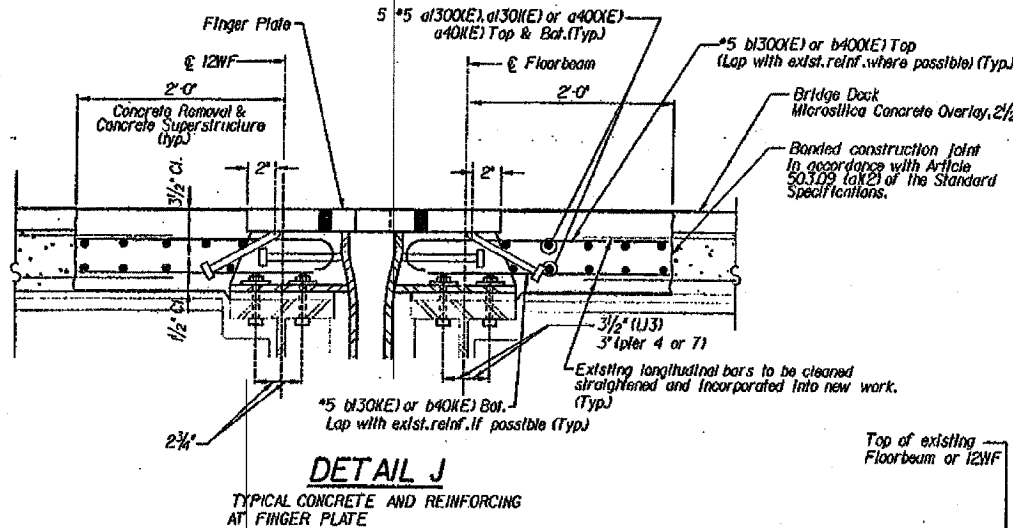
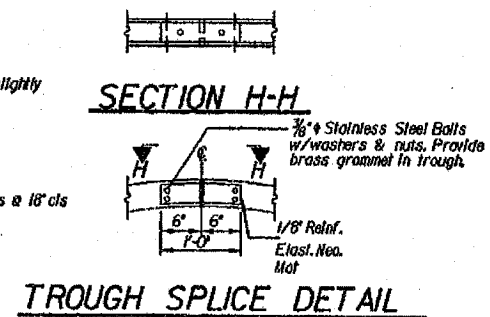
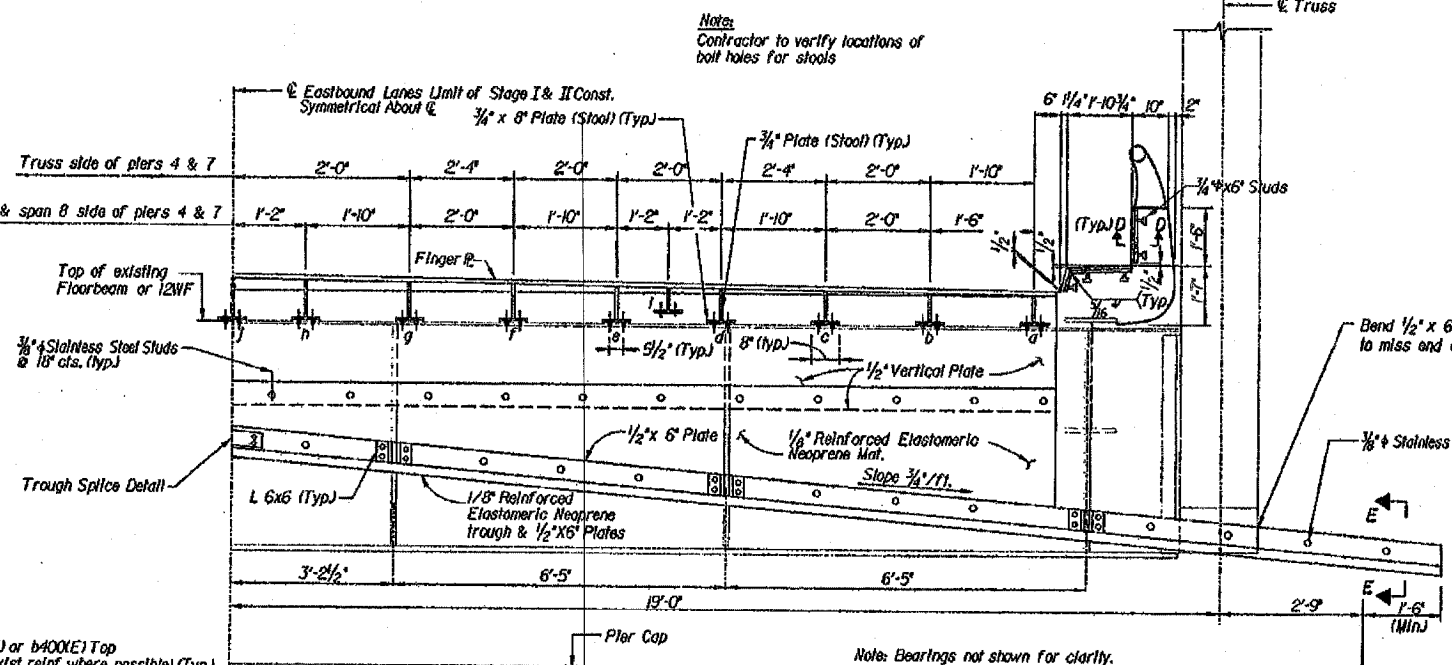
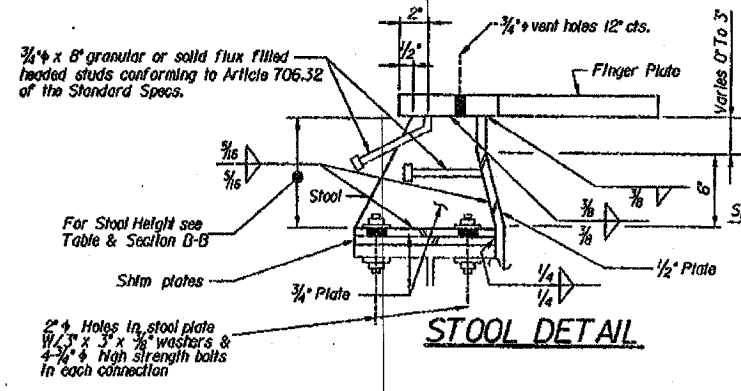


ROUTE No.	SECTION	COUNTY	TOTAL SHEETS	SHEET NO.
FAI-270		MADISON	448	193B
STA.		TO STA.		
P.H.W.A. REGION		BARRETS	PROJECT	
60-1B-1-3		SHT. 30 OF 37		



LOCATION	STOOL	a	b	c	d	e	f	g	h	i	j
PIER 4	EAST	6	6 1/2	5 3/8	6 3/8	6 3/4	7 1/8	7 3/8	---	---	8
	WEST	9 3/8	9 3/4	10 1/8	10 1/2	10 7/8	11 1/4	11 3/8	12	6	7 1/2
PIER 7	EAST	9 3/8	10 1/4	10 3/8	11	11 3/8	11 3/4	12 1/8	12 1/2	6 1/2	8
	WEST	6	6 1/2	5 3/8	6 3/8	6 3/4	7 1/8	7 3/8	---	---	8
L 13	EAST	5 1/2	6	6 3/8	6 3/4	7 1/4	7 3/8	8 1/8	8 1/2	---	---
	WEST	6	6 1/2	6 3/8	7 3/8	7 3/4	8 1/8	8 3/8	9	---	---

\* Contractor To Verify Stool Heights Before Fabrication.

**FOR INFORMATION ONLY**

SECTION B-B  
Panel Point LI3

ILLINOIS DEPARTMENT OF TRANSPORTATION  
FINGER PLATE STOOL AND TROUGH DETAILS  
REHABILITATION OF CHAIN OF ROCKS CANAL BRIDGE  
FAI-270 OVER THE CHAIN OF ROCKS CANAL  
EASTBOUND BRIDGE REPAIR  
SECTION 60B-1-3  
MADISON COUNTY  
STRUCTURE NUMBER 060-0036

DESIGNED	JN
CHECKED	DM
DRAWN	CD
CHECKED	JN

alfred benesch & company  
CONSULTING ENGINEERS  
206 NORTH MICHIGAN AVENUE, CHICAGO, ILLINOIS 60601  
JOB NO. 3011

DATE 1995