

ROUTE NO.	SECTION	COUNTY	TOTAL SHEETS	SHEET NO.
FAI-270		MADISON	448	193G
STA.		TO STA.		
F.I.R.W.A. REGION		ILLINOIS	PROJECT	
60-1B-1-3		SHT. 25 OF 37		

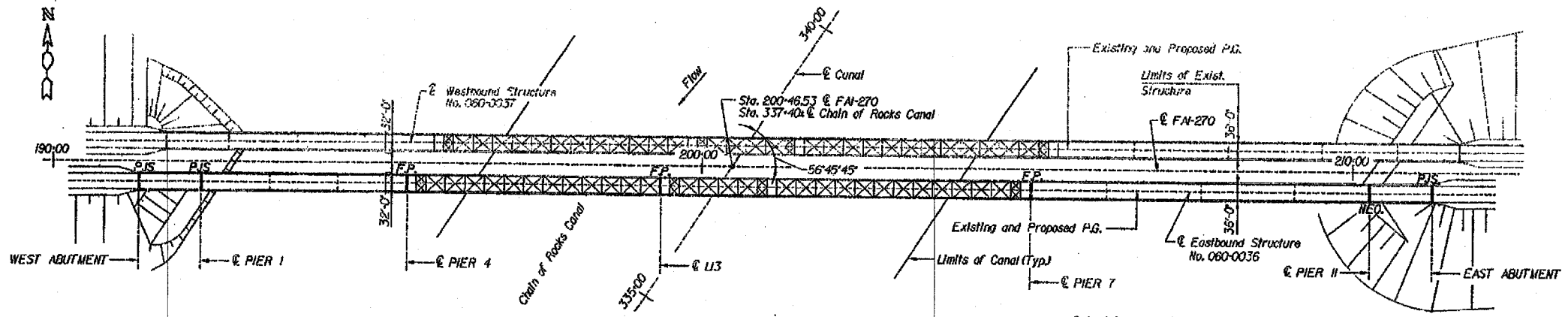
**BILL OF MATERIAL**

BAR	NO.	SIZE	LENGTH	SHAPE
a3000(E)	20	#5	17'-0"	
a3001(E)	20	#5	17'-0"	
b3000(E)	48	#4	1'-6"	
d3000(E)	12	#5	3'-10"	
d3001(E)	12	#5	4'-8"	
d3002(E)	12	#5	3'-5"	
h3000(E)	8	#5	17'-10"	
h3001(E)	8	#5	17'-10"	
u3000(E)	76	#5	1'-11"	
x3000(E)	60	#5	2'-5"	

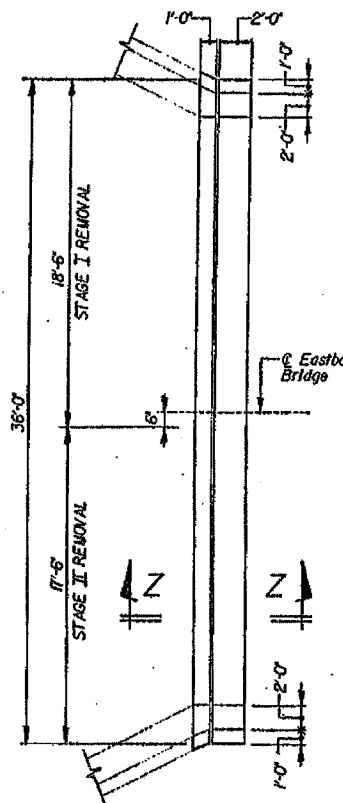
REINFORCEMENT BARS, EPOXY COATED	LBS	1510
CONCRETE SUPERSTRUCTURE	CU YDS	10.4
PREFORMED JOINT SEAL #	LN.FT.	72
CONCRETE REMOVAL	CU YDS	8
FURNISH & ERECT STRUCTURAL STEEL	LBS	765
BAR SPLICER	EACH	28

NOTE:  
Contractor shall verify existing dimensions in field and make necessary adjustments prior to construction or ordering materials.

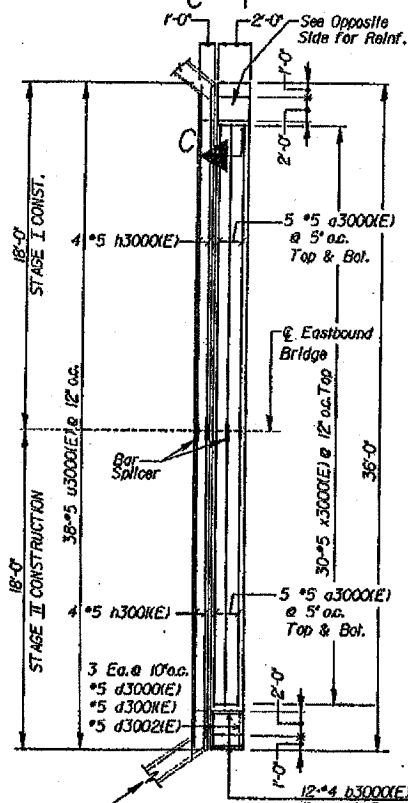


**PLAN OF EXISTING & REHABILITATED BRIDGE**

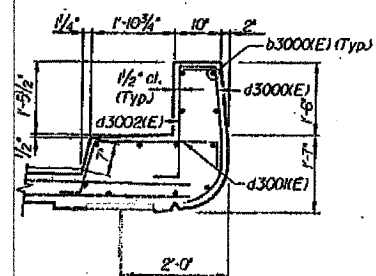
EXPANSION JOINT LOCATION PLAN  
(FOR DETAILS OF JOINTS IN SPANS 5 TO 7  
SEE SHEET 23 OF 37)  
F.P. - FINGER PLATE EXPANSION JOINT (SEE SHEETS 28 TO 30 OF 37)  
NEO. - NEOPRENE EXPANSION JOINT # (SEE SHEETS 26 & 27 OF 37)  
PJS - PREFORMED JOINT SEAL #



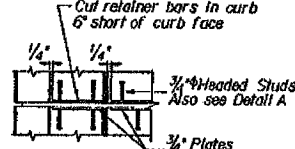
**PLAN - CONCRETE REMOVAL**



**CONCRETE DECK REINFORCEMENT**  
WEST ABUTMENT AS SHOWN  
EAST ABUTMENT OPPOSITE HAND

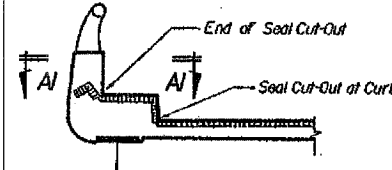


**SECTION C-C**

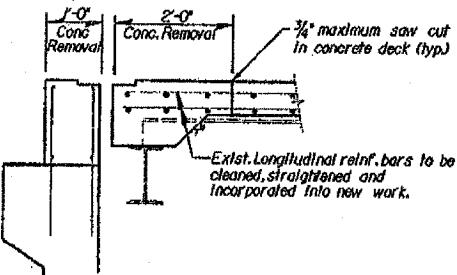


**SECTION A-A**

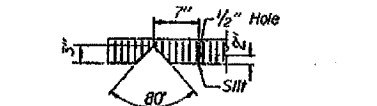
**END OF SEAL CUT-OUT**



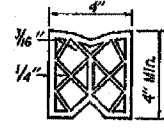
**TYPICAL SEAL TREATMENT AT PARAPET & CURB**



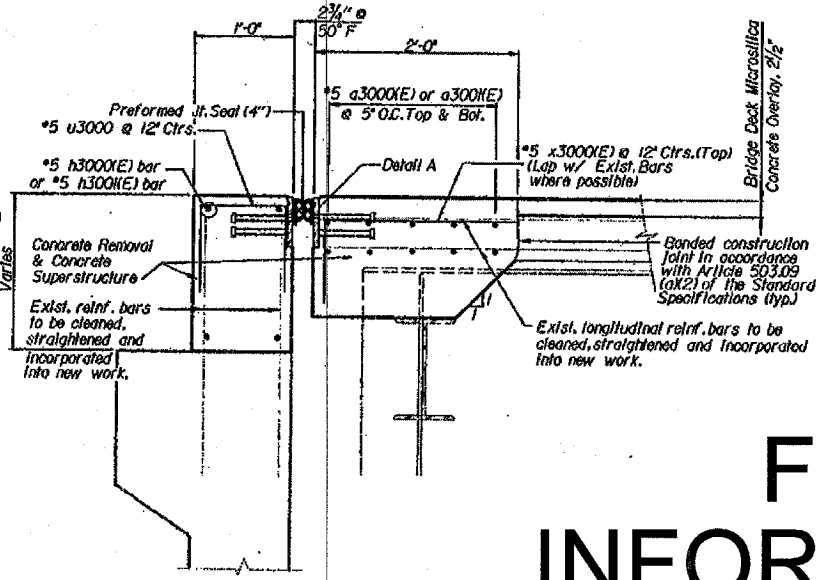
**SECTION Z-Z**



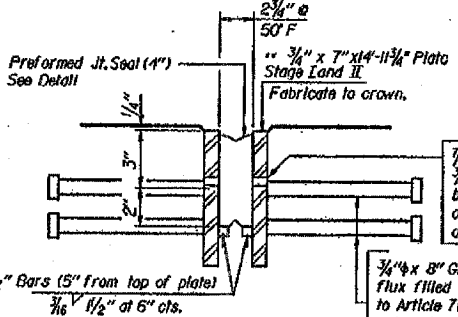
**SEAL CUT-OUT AT CURB**



**PREFORMED JOINT SEAL (4'')**

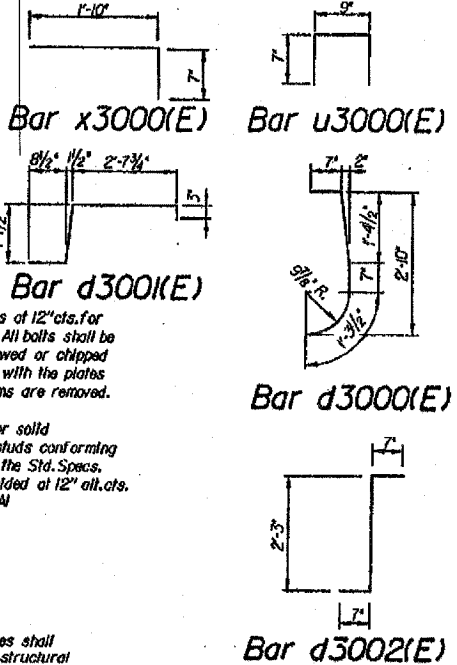


**PREFORMED EXPANSION JOINT SEAL AT EAST & WEST ABUTMENTS**



**DETAIL A**

\*\* Furnish in segments of 20 ft. maximum length. Maximum space between installed segments shall be 1/8". Seal space with Silfcone Sealant suitable for Structural Steel.  
Note:  
After fabrication, all surfaces of the steel plates shall be given one shop coat of paint specified for structural steel, no field painting required.



**FOR INFORMATION ONLY**

ILLINOIS DEPARTMENT OF TRANSPORTATION  
EXPANSION JOINT LOCATION PLAN  
REHABILITATION OF CHAIN OF ROCKS CANAL BRIDGE  
FAI-270 OVER THE CHAIN OF ROCKS CANAL  
EASTBOUND BRIDGE REPAIR  
SECTION 60-1B-1-3  
MADISON COUNTY  
STRUCTURE NUMBER 060-0036

alfred benesch & company  
CONSULTING ENGINEERS  
205 NORTH MICHIGAN AVENUE, CHICAGO, ILLINOIS 60601  
JOB NO. 3011

DATE 1995

DESIGNED	JN
CHECKED	DM
DRAWN	CD
CHECKED	JN