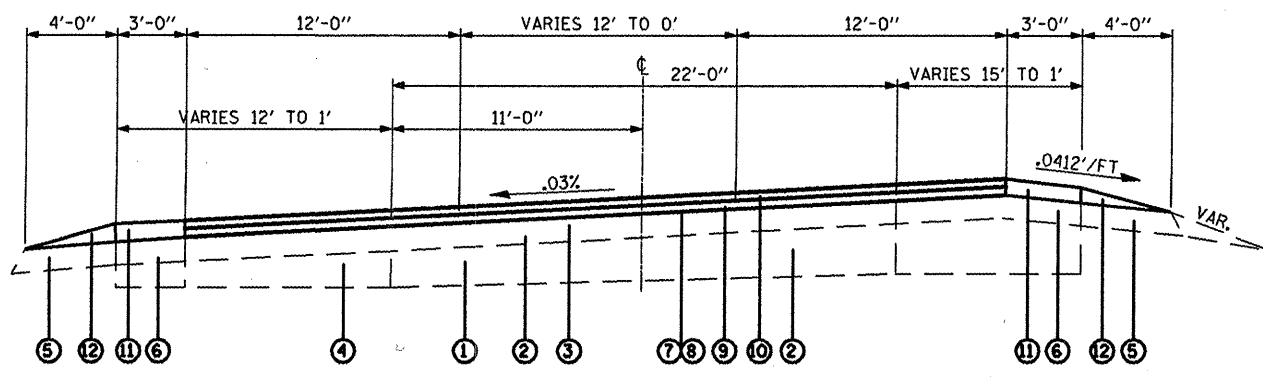
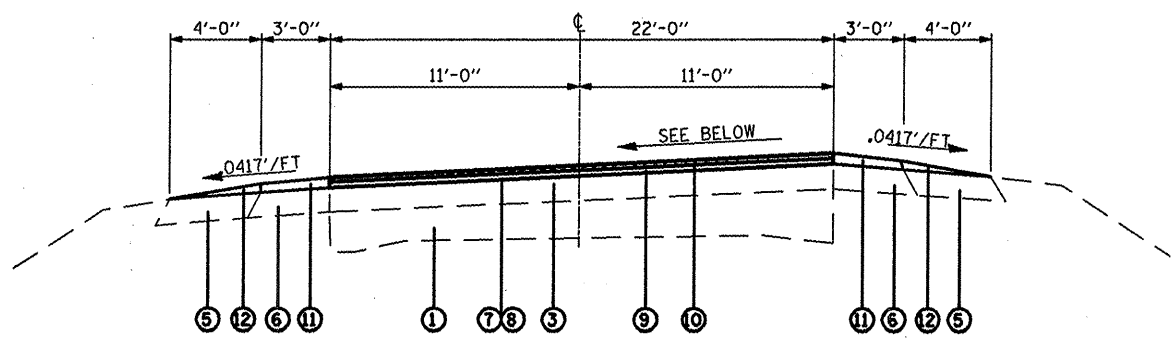


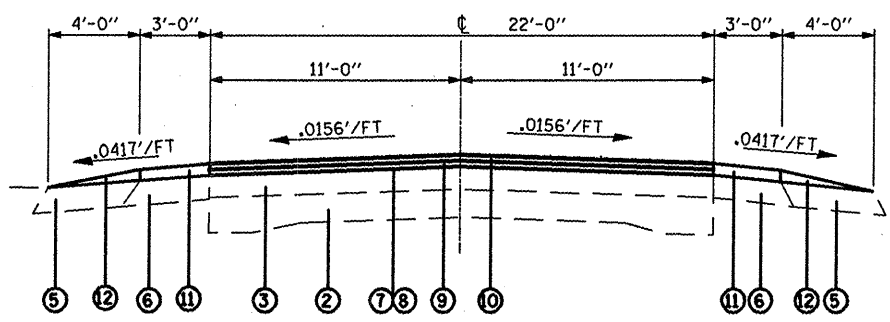
STA. 851+66 TO STA. 867+23
 STA. 915+90 TO STA. 925+14
 STA. 952+51 TO STA. 970+88
 STA. 1052+59 TO STA. 1028+55.99
 STA. EQUATION:
 STA. 1028+55.99 BK = STA. 44+49.84 AH



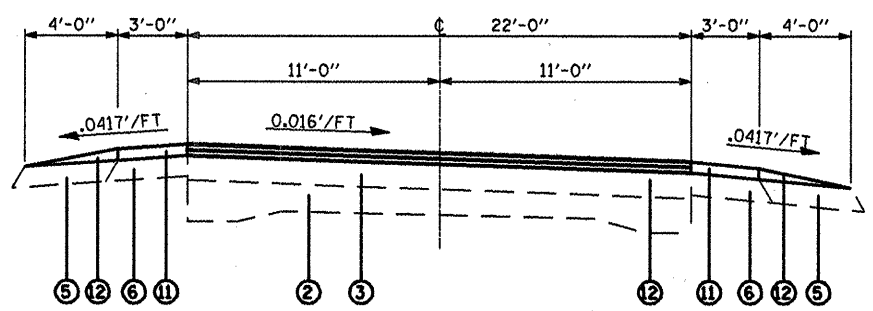
STA. 900+87 TO STA. 909+95 .03% SUPER



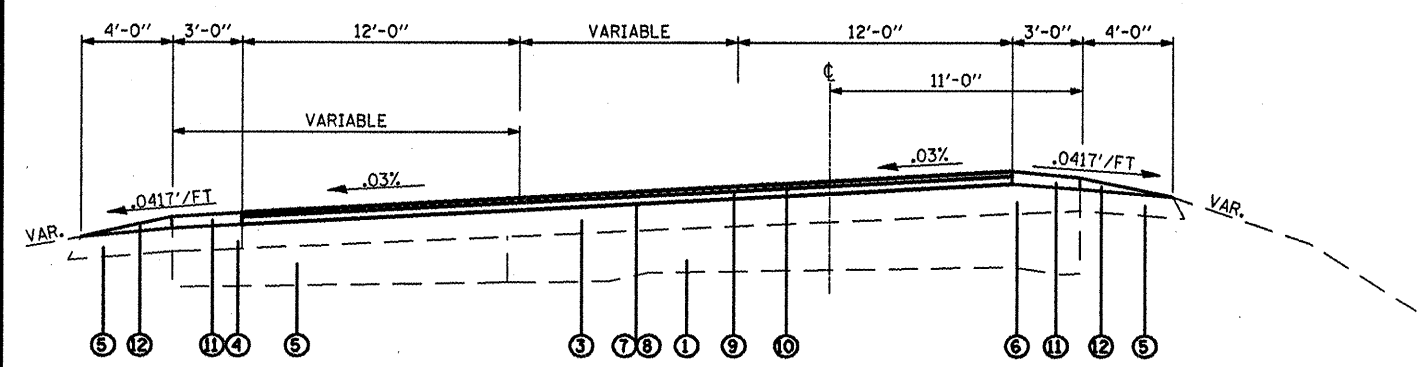
STA. 880+45 TO STA. 896+00 F.E. .03% SUPER.
 STA. 909+75 TO STA. 915+90 F.E. .03% SUPER.
 STA. 925+14 TO STA. 952+51 F.W. .018% SUPER.
 STA. 996+04 TO STA. 996+10 F.E. .0156% SUPER.
 STA. 996+10 TO STA. 1025+59 F.E. .0156% SUPER.



STA. 970+88 TO STA. 971+18



STA. 971+18 TO STA. 982+67



STA. 896+00 TO STA. 900+87

FILE NAME = c:\projects\ed04188\plan\p1n04188a.dgn	USER NAME = a1fordb	DESIGNED -	REVISED -
		DRAWN -	REVISED -
	PLOT SCALE = 1/88.0000' / IN.	CHECKED -	REVISED -
	PLOT DATE = 3/21/2008	DATE -	REVISED -

STATE OF ILLINOIS
 DEPARTMENT OF TRANSPORTATION

TYPICAL SECTIONS

SCALE: SHEET NO. OF SHEETS STA. TO STA.

F.A.P. RTE. 793	SECTION 33-IRS-2	COUNTY MADISON	TOTAL SHEETS 26	SHEET NO. 4
CONTRACT NO. 76B68				
FED. ROAD DIST. NO. ILLINOIS FED. AID PROJECT				