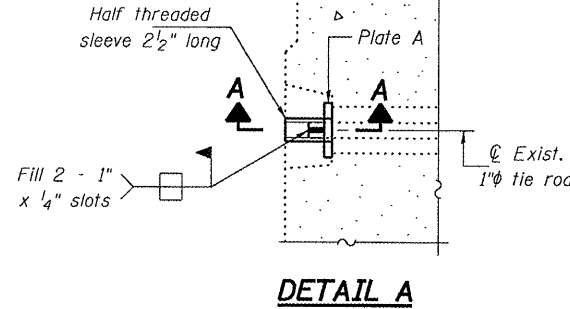
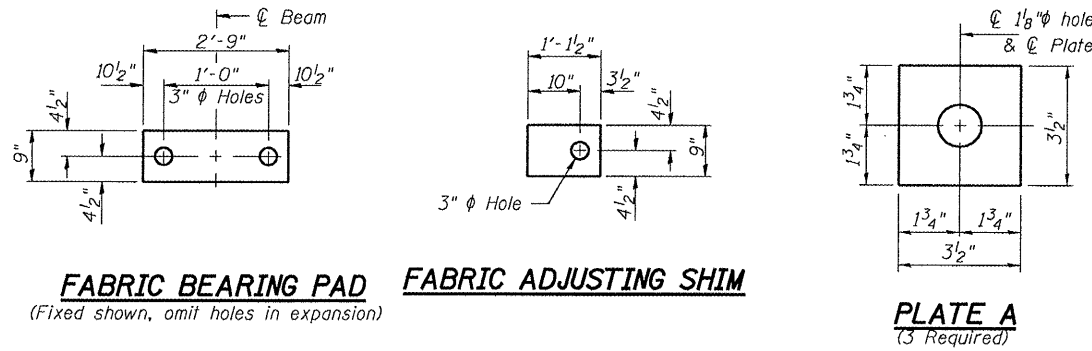


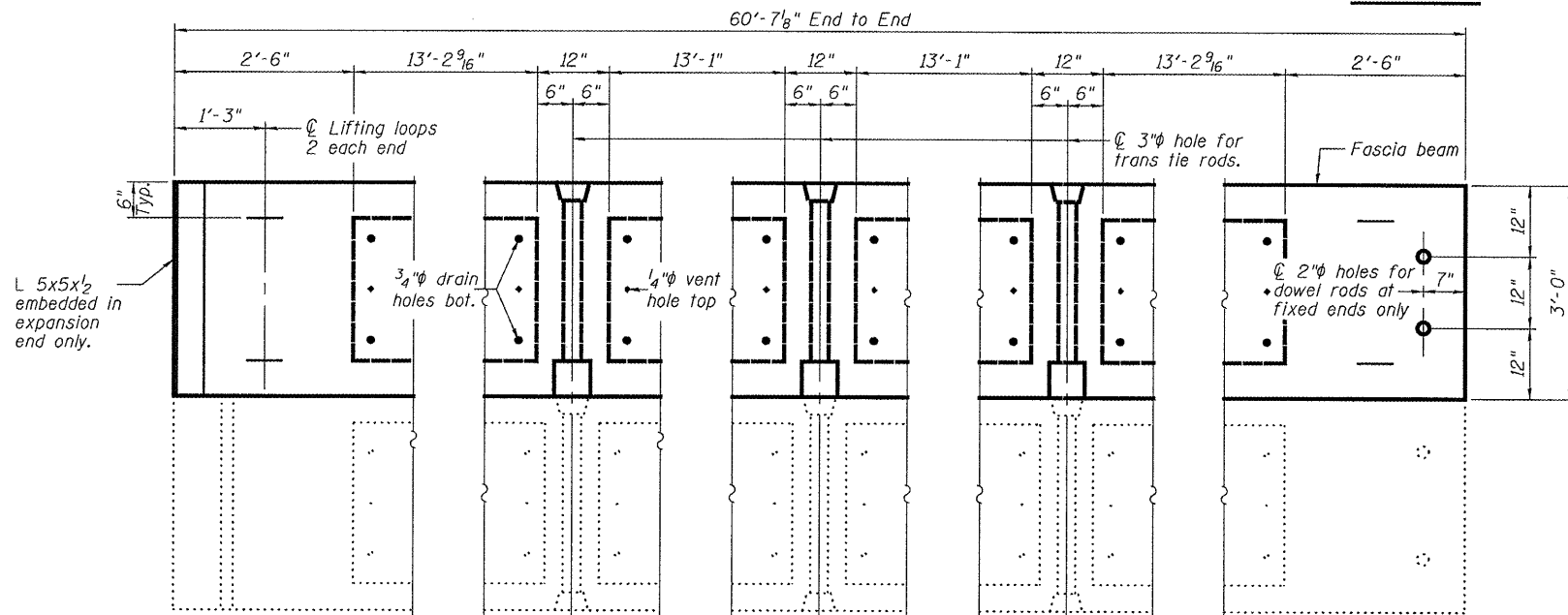
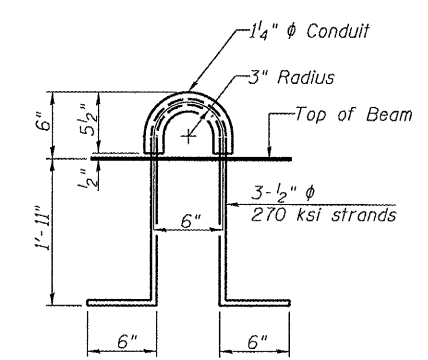
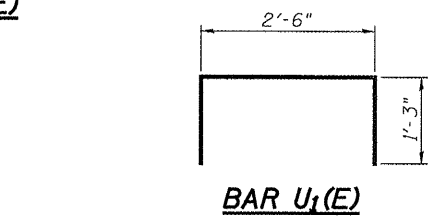
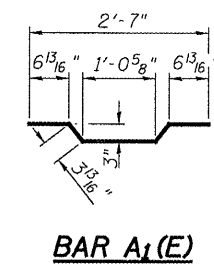
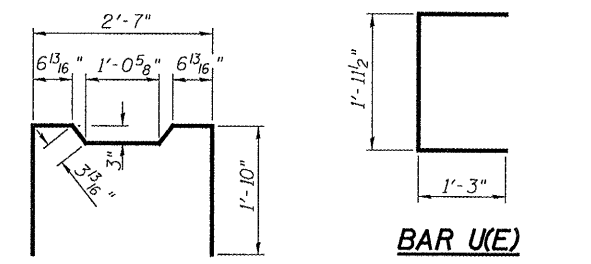
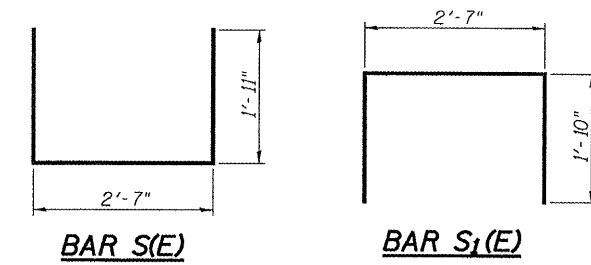
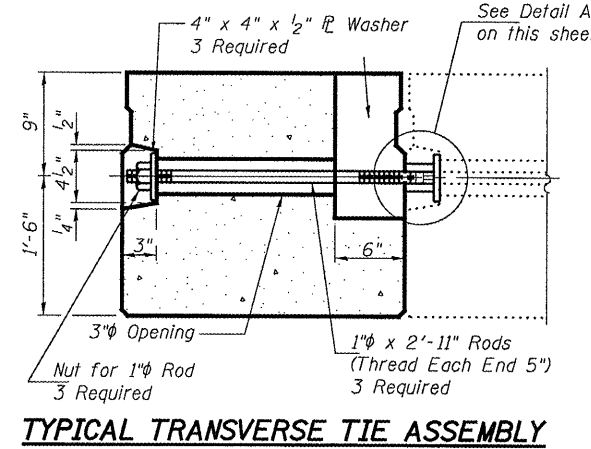
STATE OF ILLINOIS
DEPARTMENT OF TRANSPORTATION

ROUTE NO.	SECTION	COUNTY	TOTAL SHEETS	SHEET NO.	SHEET NO. 3 4 SHEETS
FAP 885	-	Johnson	11	6	
FED. ROAD DIST. NO. 7	ILLINOIS	FED. AID PROJECT-			

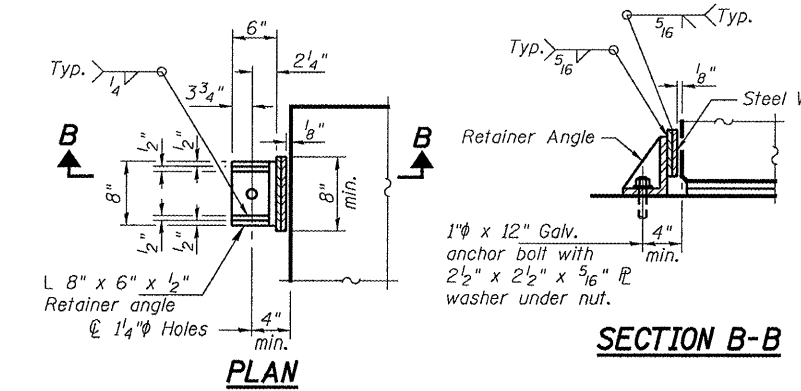
Contract Number: 78063



6" x 6" x 1 1/2" Blackout to be filled with Class BS Concrete after Beams have been installed. Cost shall be included in the cost of "PPC Deck Beams". Omit on outside face of fascia beam.

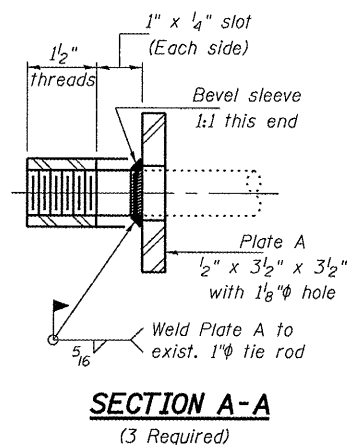


PLAN VIEW



Anchor bolts or approved threaded rod to be placed in drilled holes and grouted in place. Cost of retainer and accessories are included with Precast Prestressed Concrete Deck Beams.

RETAINER AT BEAM 1, C BRG AT PIER 1
(Outside Face only)



SECTION A-A
(3 Required)

BILL OF MATERIAL

Precast Prestressed Conc. Deck Bms. (27" depth)	Sq. Ft.	181.8
---	---------	-------

NOTES

Prestressing steel shall be uncoated high strength, low relaxation 7-wire strand, Grade 270. The nominal diameter shall be 1/2" and the nominal cross-sectional area shall be 0.153 sq. in. The 1" rods in the transverse tie assembly shall be tightened to a snug fit and the threads set. Pockets on exterior faces of bridge shall be filled with grout after transverse tie assembly is in place.
Reinforcement bars shall conform to ASTM A 706 (IL MOD), Grade 60. (See Special Provisions)
Two 3/8" fabric adjusting shims of the dimensions shown shall be provided for each bearing pad location. A minimum 2 1/2" lifting pin shall be used to engage the lifting loops during handling.
Corrosion Inhibitor, per Article 1020.05(b)(12) and 1021.06 of the Standard Specifications, shall be used in the concrete for precast prestressed concrete deck beams.
Compressive strength of prestressed concrete, f'c, shall be 6000 psi.
Compressive strength of prestressed concrete at release, f'ci, shall be 5000 psi.

BEAM DETAILS
F.A. RT. 51
JOHNSON COUNTY
SN 044-0020

DESIGNED	A.J.B.	MAY 8, 2008
CHECKED	V.H.V.	EXAMINED
DRAWN	Drew Christopher	PASSED
CHECKED	A.J.B. V.H.V.	