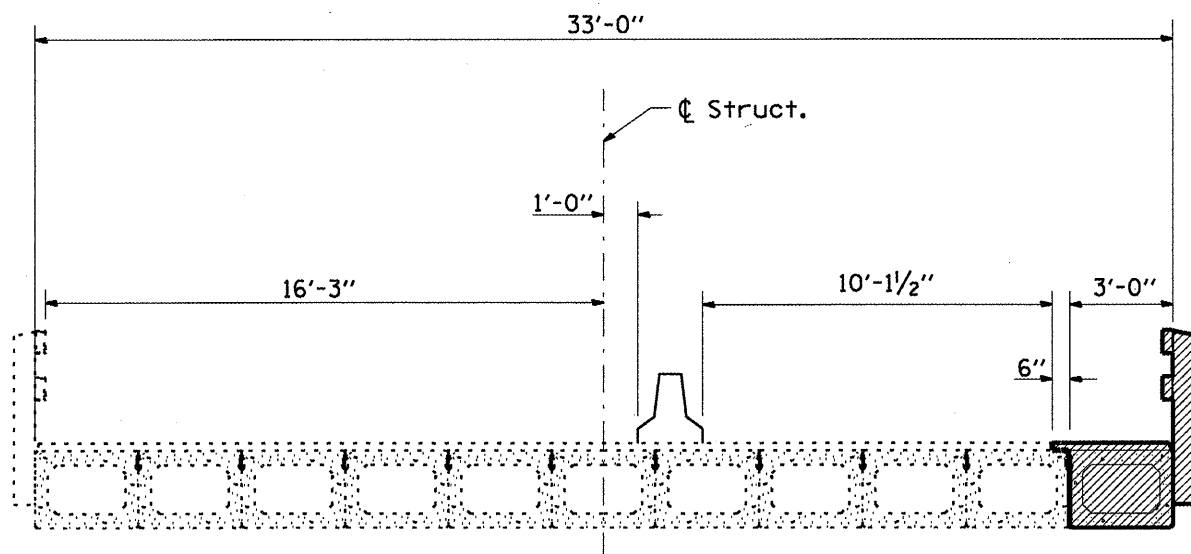


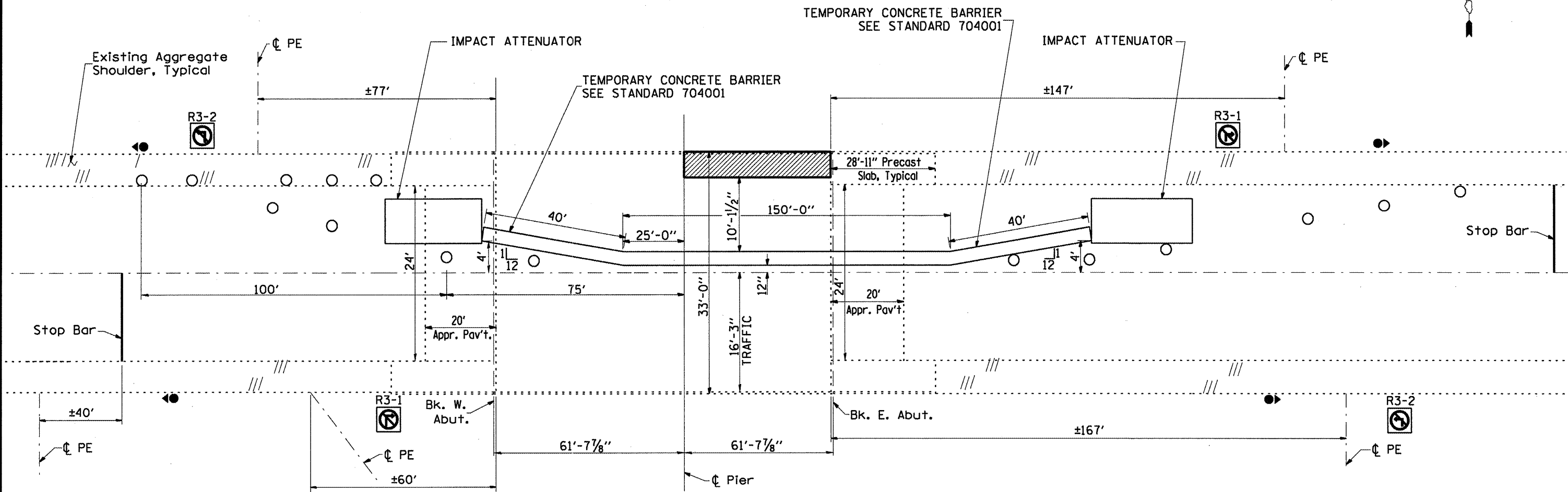
STATE OF ILLINOIS
DEPARTMENT OF TRANSPORTATION

ROUTE NO.	SECTION	COUNTY	TOTAL SHEETS	SHEET NO.
FAP 885 FAP 328	*	JOHNSON WHITE	11	8
FED. ROAD DIST. NO. 7		ILLINOIS	FED. AID PROJECT	
* 11011-1, 1051-2 CONTRACT NO. 78083				



**TEMPORARY CONCRETE BARRIER
LOOKING WEST**

SEE TRAFFIC CONTROL AND PROTECTION STANDARD 701321 FOR DETAILS NOT SHOWN.



- TRAFFIC SIGNAL
- ▨ WORK AREA
- DRUM WITH STEADY BURNING LIGHT

**TEMPORARY CONCRETE BARRIER
044-0020**

Drawing is not to scale.