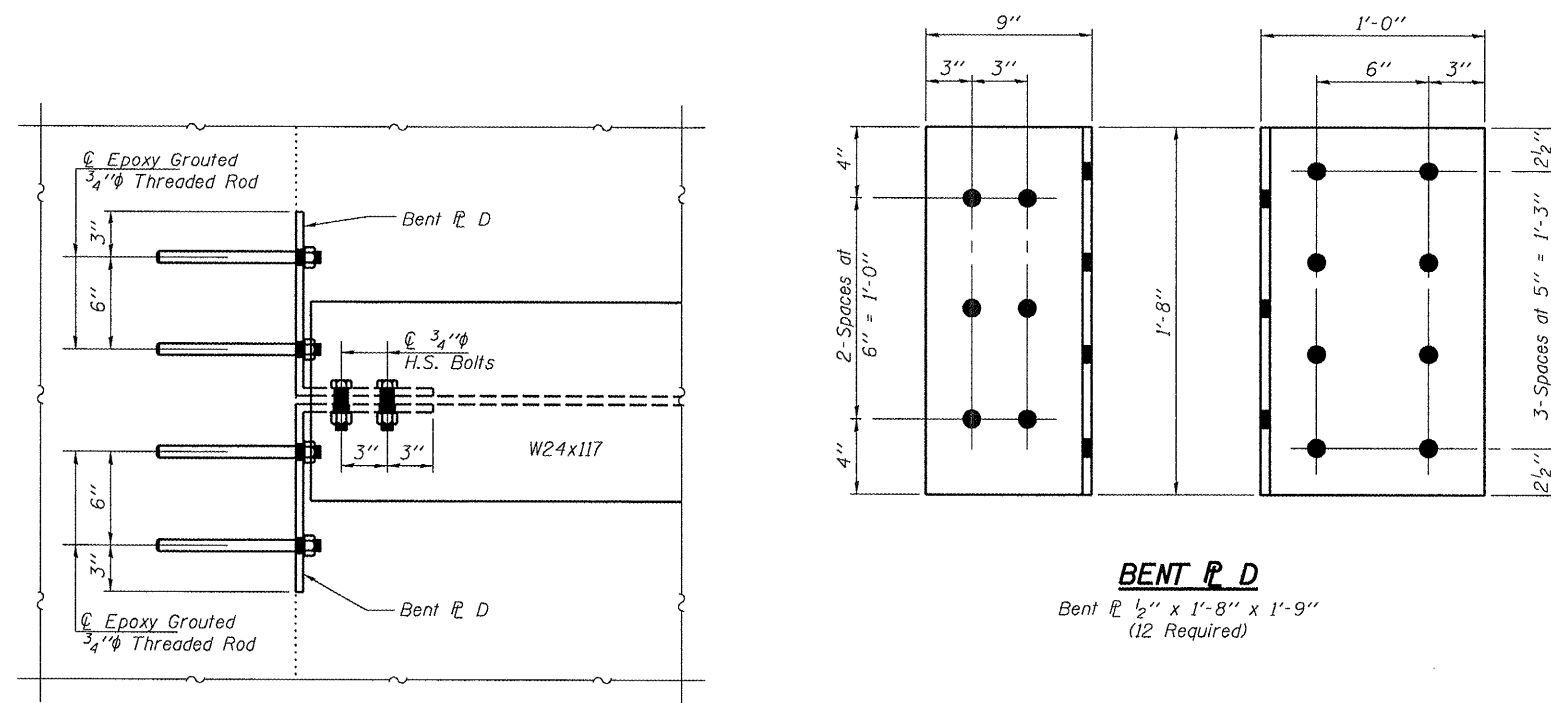
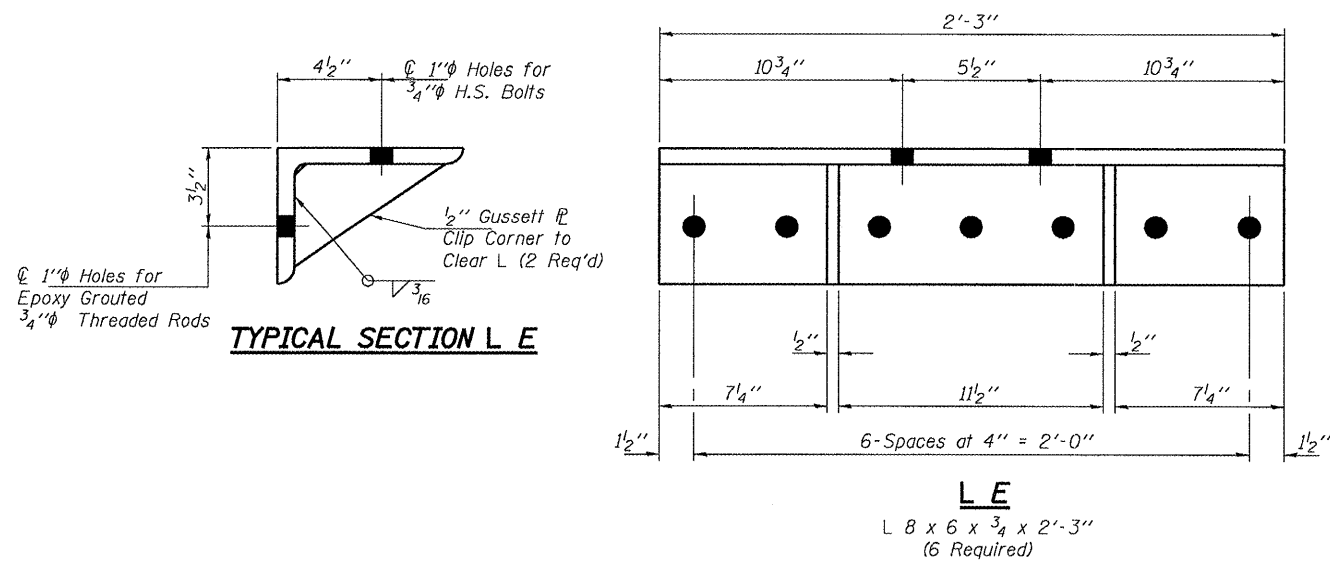
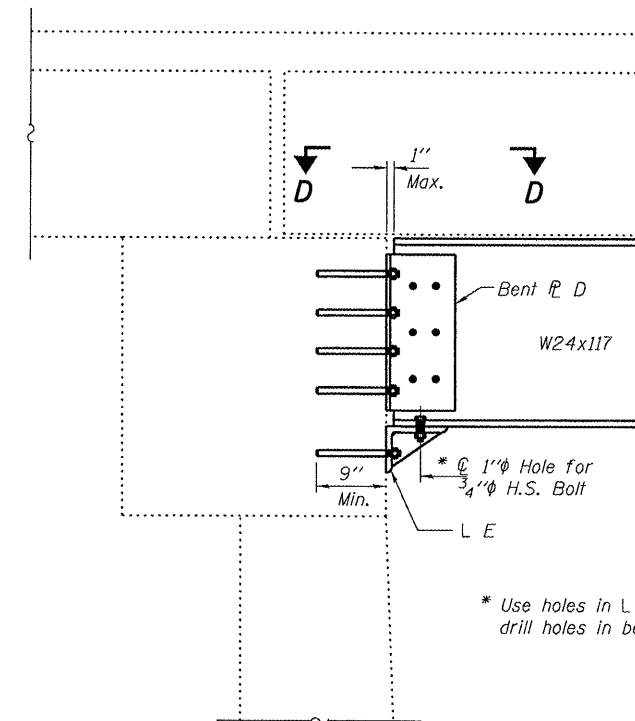
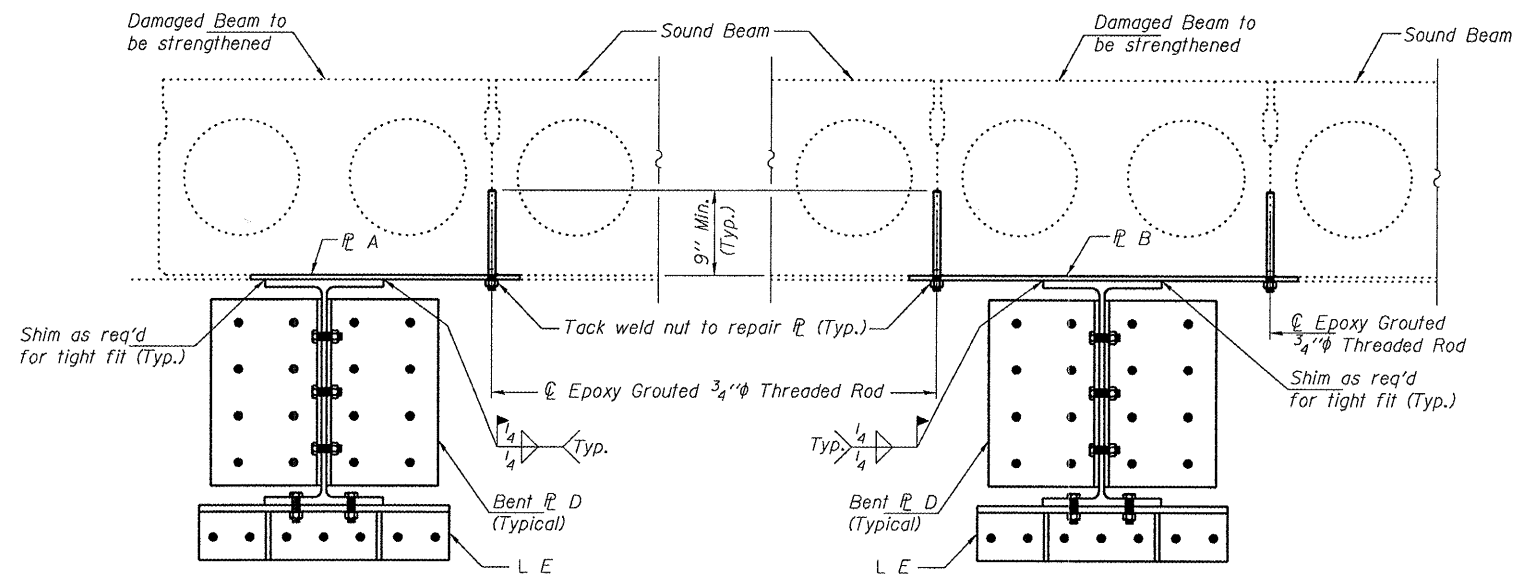


STATE OF ILLINOIS  
DEPARTMENT OF TRANSPORTATION

ROUTE NO.	SECTION	COUNTY	TOTAL SHEETS	SHEET NO.	SHEET NO. 2 3 SHEETS
FAP 328		WHITE	11	10	
FED. ROAD DIST. NO. 7	ILLINOIS	FED. AID PROJECT			

Contract Number: 78063



DESIGNED	VHV
CHECKED	DAB
DRAWN	Steffen
CHECKED	VHV DAB

APRIL 24, 2008  
EXAMINED *Carl Perry*  
ENGINEER OF STRUCTURAL SERVICES  
PASSED *Ralph E. Anderson*  
ENGINEER OF BRIDGES AND STRUCTURES

REPAIR DETAILS  
FAP RT. 328  
WHITE COUNTY  
SN 097-0022