

ROUTE NO.	SECTION	COUNTY	TOTAL SHEETS	SHEET NO.
T.R. 159	01-11126-00-BR	IROQUOIS	23	5
DOUGLAS ROAD DIST.	ILLINOIS	BROS-075(128)		

CONTRACT NO. 87300

GENERAL NOTES

See sheets 13 thru 16 for Boring data.

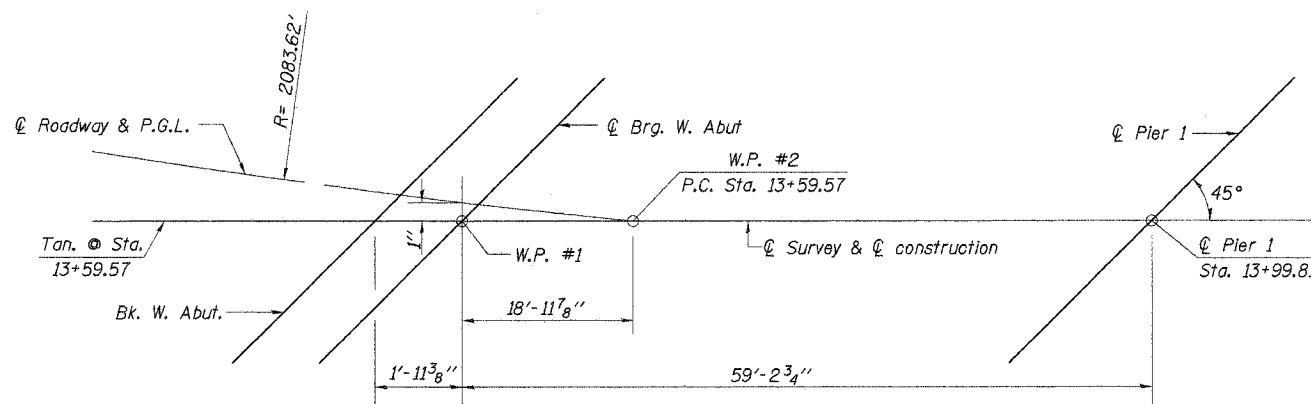
Reinforcement bars shall conform to the requirements of ASTM A706 Grade 60 (IL Modified). See Special Provisions.

The Contractor shall drive one metal shell test pile in a permanent location at each abutment and at Pier #2 as directed by the Engineer, before ordering the remainder of piles.

Layout of slope protection system may be varied in the field to suit ground conditions as directed by the Engineer.

Aggregate Surface Course, Ty. B shall be used to backfill behind each abutment as indicated by the Engineer. The additional quantity of CA-10 is included in the total quantity for Aggregate Surface Course, Ty. B. (See Special Provisions).

Bars indicated thus 12x4-#5 etc. indicates 12 lines of bars with 4 lengths per line.



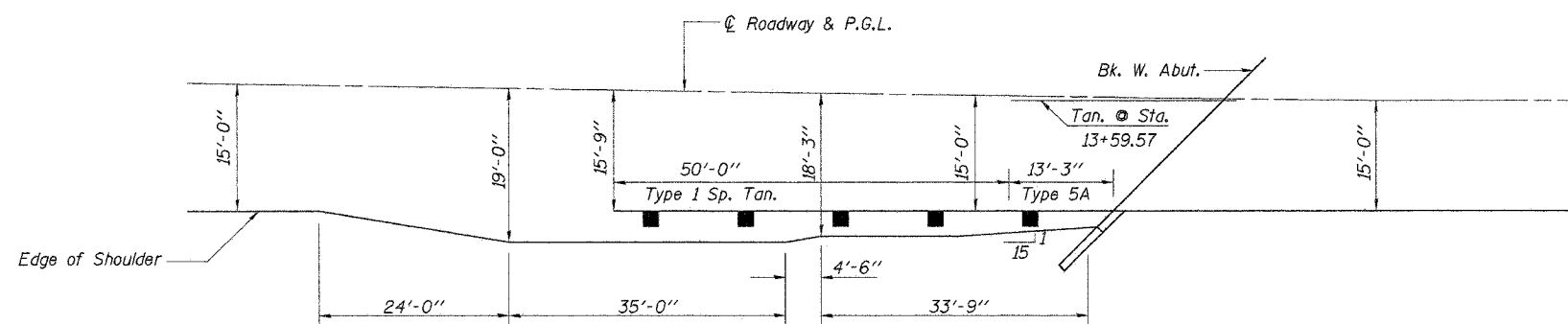
WEST ABUTMENT OFFSET SKETCH

SPRING CREEK
 BUILT 200_ BY
 DOUGLAS ROAD DISTRICT
 IROQUOIS COUNTY
 SEC. 01-11126-00-BR
 F.A. PROJ. BROS-075(128)
 STR. NO. 038-4055 LOADING HS20

LETTERING FOR NAME PLATE
 See Std. 515001

TOTAL BILL OF MATERIAL

ITEM	UNIT	SUPER	SUB	TOTAL
Precast Prestressed Concrete Deck Beams (33" Depth)	Sq. Ft.	7800		7800
Concrete Structures	Cu. Yd.		90.8	90.8
Reinforcement Bars	Pound		9070	9070
Steel Railing, Type S1	Foot	522		522
Name Plates	Each		1	1
Metal Shell Piles 14"	Foot		2305	2305
Test Pile Metal Shells	Each		3	3
Stone Riprap, Class A5	Ton		1147	1147
Filter Fabric	Sq. Yd.		905	905
Concrete Encasement	Cu. Yd.		52.0	52.0
Aggregate Surface Course, Type B	Ton	165		165
Underwater Struct. Excav. Prof. Location 1	Each		1	1
Underwater Struct. Excav. Prof. Location 2	Each		1	1
Hot-Mix Asphalt Surf. Crse. Mix C, N50	Ton	120		120
Waterproofing Membrane System	Sq. Yd.	868		868
P.C. Mortar Fairing Course	Foot	1170		1170



S.W. APPROACH GUARDRAIL AND EMBANKMENT

See Std. 630301

DESIGNED	P.S.L.
CHECKED	S.F.M.
DRAWN	S.A.P. & J.P.S.
CHECKED	S.F.M.

GENERAL NOTES &
 BILL OF MATERIAL
 SECTION 01-11126-00-BR
 DOUGLAS ROAD DISTRICT
 IROQUOIS COUNTY
 STATION 14+69.94

4440 ASH GROVE
 SPRINGFIELD, IL 62711
 (217) 793-8600
 www.fehr-graham.com

FEHR-GRAHAM & ASSOCIATES, LLC
 ENGINEERING AND SCIENCE CONSULTANTS
 REPORT: E. HODGSON, D. NICHELLE, & MARGARET W. SPRINGFIELD, S.

JOB NO.: 46815
 FILE: 022861.DGN
 DATE: 12/08/06