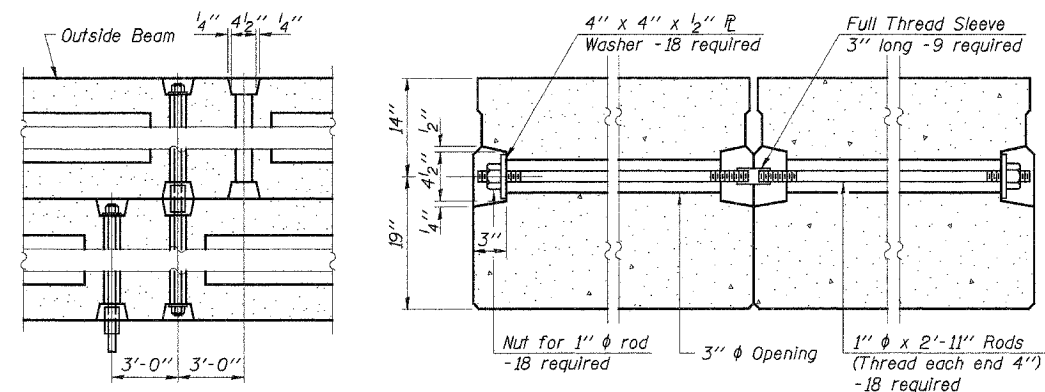
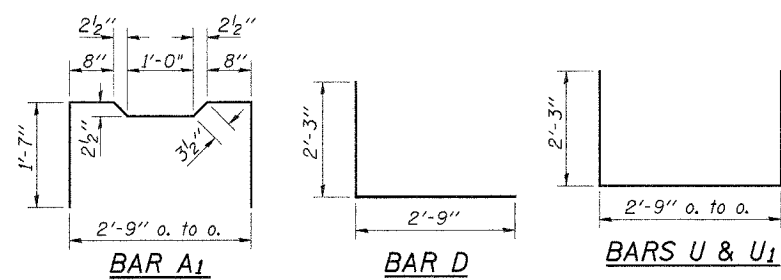
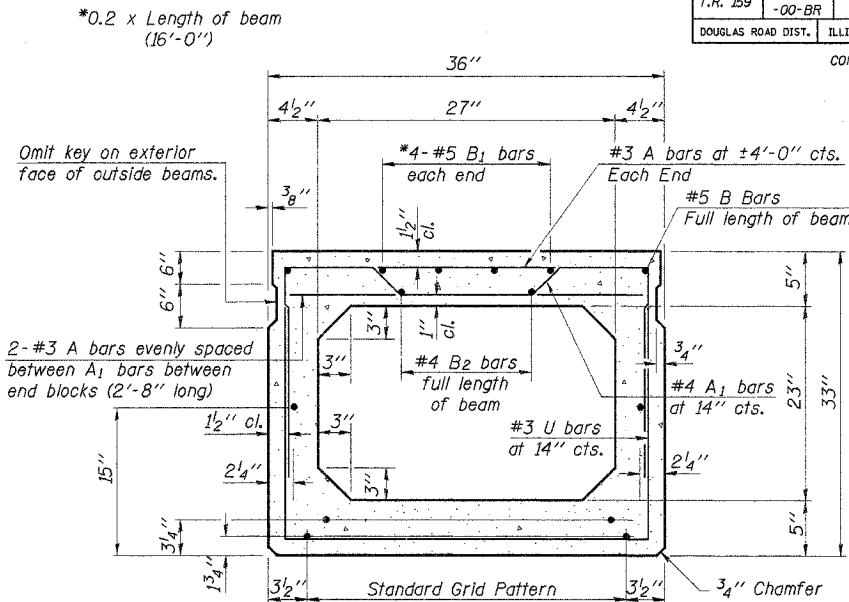


ROUTE NO.	SECTION	COUNTY	TOTAL SHEETS	SHEET NO.
T.R. 159	01-1126-00-BR	IROQUOIS	23	7
DOUGLAS ROAD DIST.		ILLINOIS	BROS-075(128)	

CONTRACT NO. 87300



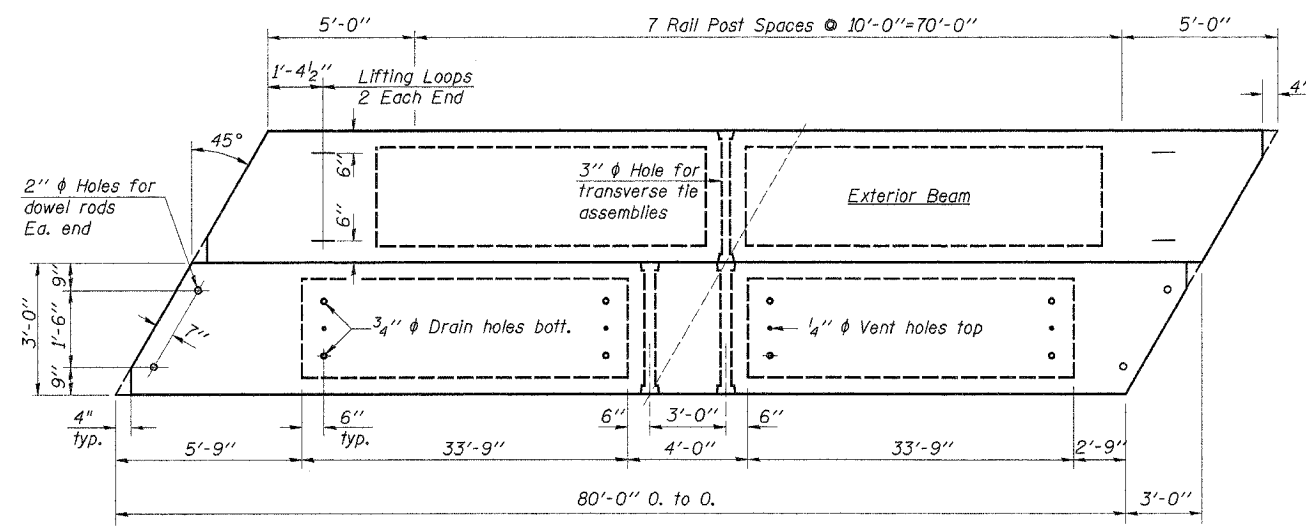
TYPICAL TRANSVERSE TIE ASSEMBLY



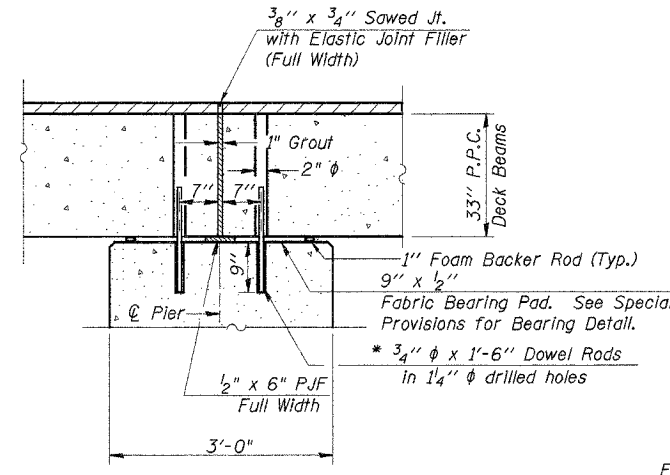
TYPICAL SECTION

Note: Place strands symmetrically about centerline of beam.

18-1/2" phi Strands Each Strand Stressed to 30,900 Lbs.
10-Strands 1 3/4" up, 6-Strands 3/4" up, 2-Strands 15" up.



PLAN



SEC. AT PIER

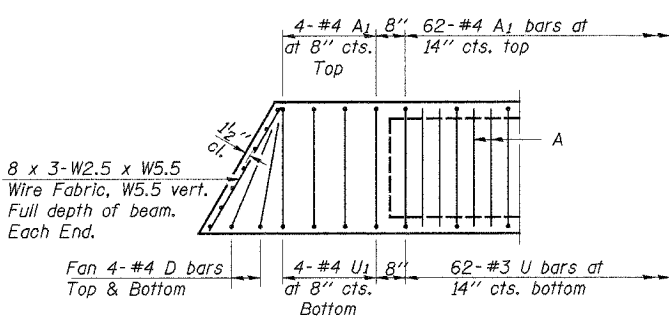
Note: After beams are in place, 1 1/4" holes shall be drilled into the substructure, and the dowel rods grouted in place and allowed to cure (Min. 24 Hrs.) prior to grouting shear key.

Note A:

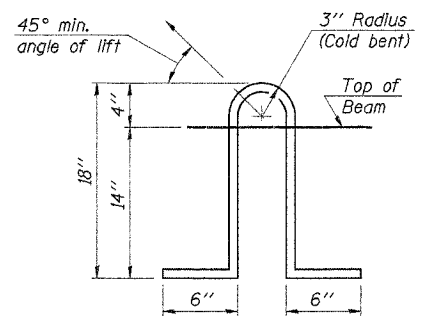
The top surface of the beams shall be finished in accordance with article 504.06 of the Standard Specifications except that the surface shall be roughened by brooming. The finished surface shall be free of depressions or high spots with sharp corners, and the top edge of keys shall be rounded or chamfered a minimum of 1/4"

NOTES

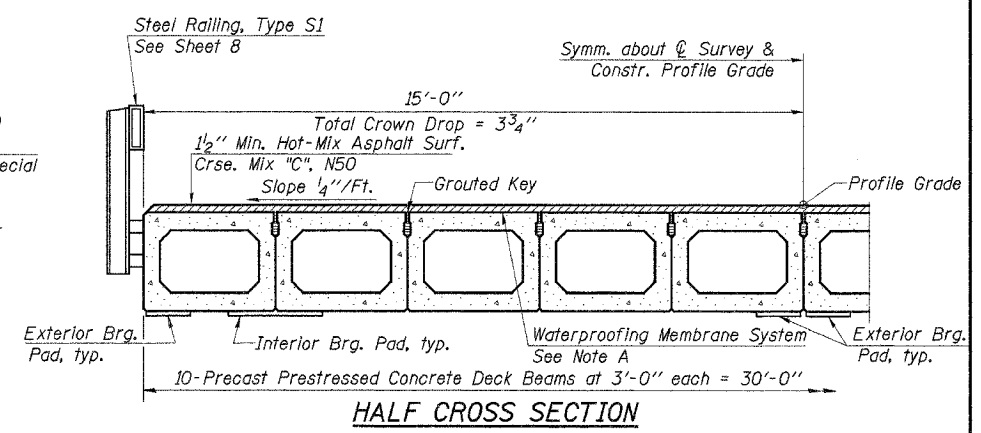
Prestressing steel shall be uncoated high strength, low relaxation 7-wire strand, Grade 270. The nominal diameter shall be 1/2" and the nominal cross-sectional area shall be 0.153 sq. in. Lifting loops shall be 3-1/2" phi-270 ksi strands, as shown. The 1" phi rods in the transverse tie assembly shall be tightened to a snug fit and the threads set. Pockets that receive transverse tie bar on outside shall be filled with grout after transverse tie assembly is in place. Non prestressing steel shall conform to AASHTO M-31 or M-322, Grade 60. The bearing seat surfaces shall be adjusted by shimming to assure firm and even bearing. Two 1/8" fabric adjusting shims of the dimensions of the Exterior Bearing Pad shall be provided for each bearing. Keyway surfaces shall be cleaned to remove form oil or other bond breaking material prior to shipment of the beams. Cleaning shall be done by sandblasting the keyway areas between top of the beam and the bottom edge of the key. Corrosion Inhibitor, as covered in the Special Provisions, shall be used in the concrete for precast prestressed concrete deck beams. Required Release Strength, f'ci, shall be 4,000 p.s.i.



END PLAN



LIFTING LOOP DETAIL



HALF CROSS SECTION

BILL OF MATERIAL

Item	Unit	Quantity
Precast Prestressed Concrete Deck Beams (33" Depth)	Sq. Ft.	2,400
Hot-Mix Asphalt Surface Course, Mix "C", N50	Ton	31
Waterproofing Membrane System	Sq. Yd.	267
P.C. Mortar Fairing Course	Foot	360
Estimated Total Weight (One Beam) = 57,660 Pounds		

SUPERSTRUCTURE SPAN 3

SECTION 01-1126-00-BR
DOUGLAS ROAD DISTRICT
IROQUOIS COUNTY
STATION 14+69.94

DESIGNED	P.S.L.
CHECKED	S.F.M.
DRAWN	S.A.P. & J.P.S.
CHECKED	S.F.M.

PD-5-L 9-1-03

4440 ASH GROVE SPRINGFIELD, IL 62711 (217) 793-8600 www.fehr-graham.com	FEHR-GRAHAM & ASSOCIATES, LLC ENGINEERING AND SCIENCE CONSULTANTS REPORT, RECORD, SURVEY, & CONSTRUCTION ADMINISTRATION	JOB NO.: 46815 FILE: 0228SUPER2.DGN DATE: 11/06/06
--	--	--