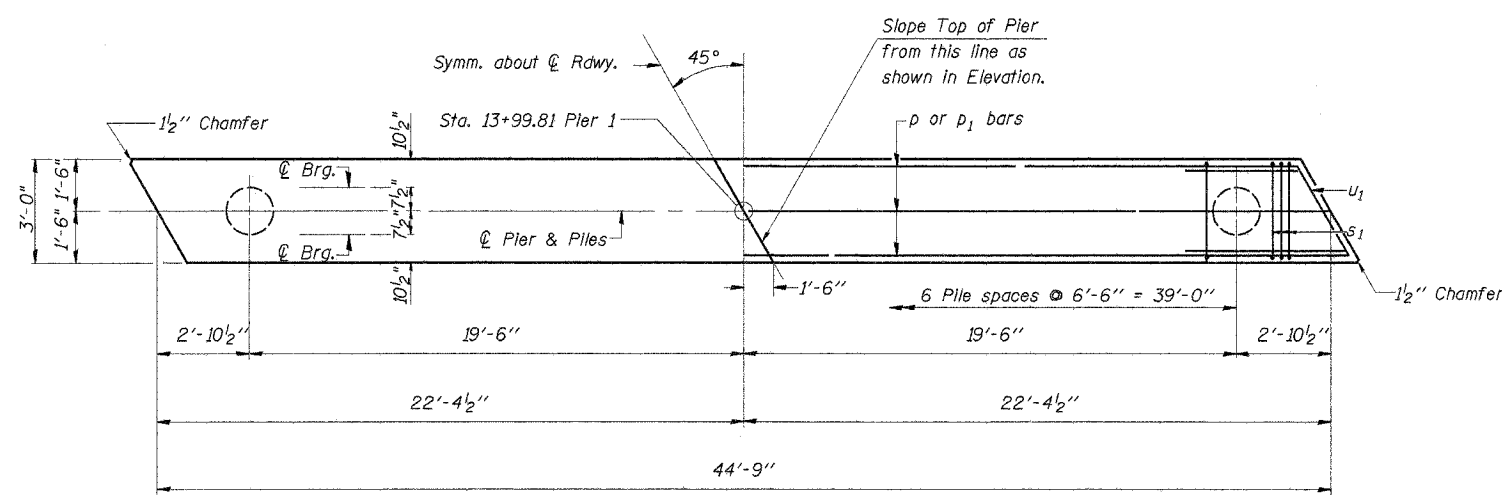


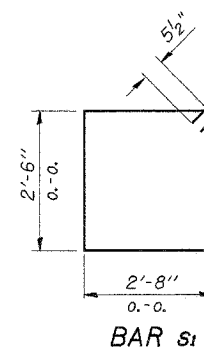
ROUTE NO.	SECTION	COUNTY	TOTAL SHEETS	SHEET NO.
T.R. 159	01-11126-00-BR	IROQUOIS	23	10
DOUGLAS ROAD DIST.		ILLINOIS	BROS-075(12B)	

CONTRACT NO. 87300

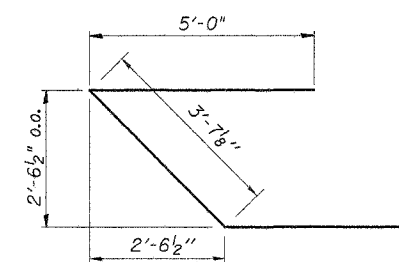


PLAN

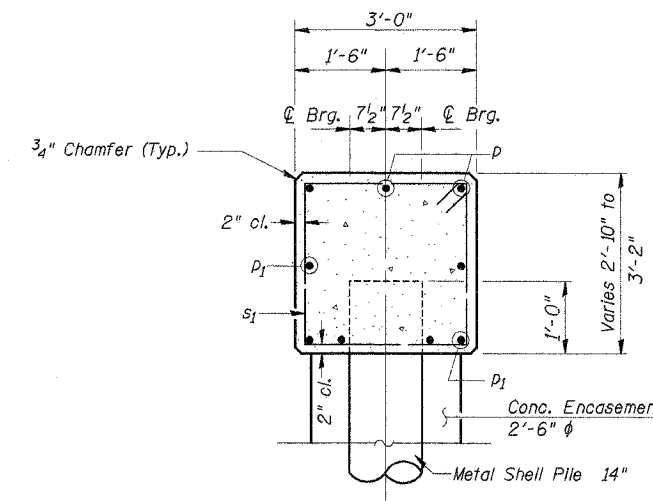
Note: All edges shall have standard 3/4" chamfer except as noted.



BAR S1



BAR U1



SECTION A-A

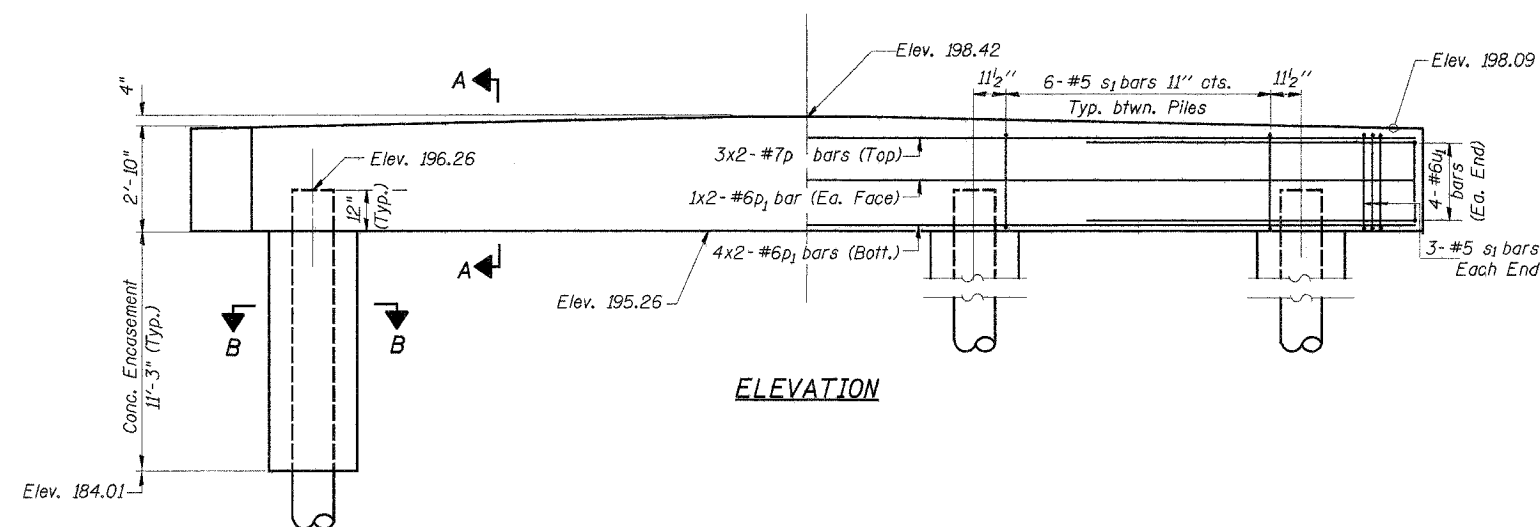
MINIMUM BAR LAP

#6 = 2'-0"
#7 = 2'-9"

BILL OF MATERIAL

BAR	NO.	SIZE	LENGTH	SHAPE
p	6	#7	23'-7"	—
p1	12	#6	23'-3"	—
s1	42	#5	11'-3"	□
u1	8	#6	13'-7"	▽
Concrete Structures			Cu. Yd.	14.6
Reinforcement Bars			Pound	1370
Metal Shell Piles 14"			Foot	560
Conc. Encasement			Cu. Yd.	11.2

See Sheet 12 For Pile Details

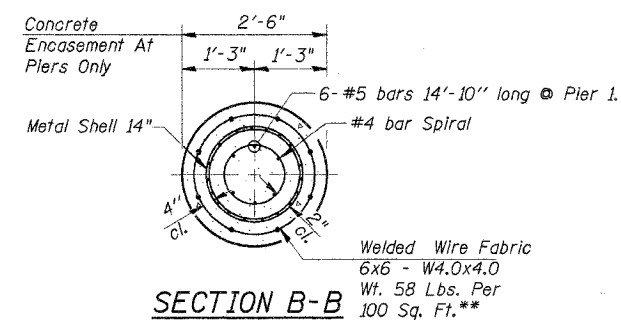


ELEVATION

PILE DATA

Type & Size.....Metal Shell - 14 in. Dia. x 0.250 in. walls
No. Req'd.....7
Nominal Required Bearing.....390 kips
Allowable Resistance Available.....130 kips
Estimated Length.....80 ft.

** The cost of Reinforcement is incidental to the cost of "Conc. Encasement".
Extend Reinforcement 1'-0" into cap.



PILE ENCASUREMENT DETAIL

DESIGNED	P.S.L.
CHECKED	S.F.M.
DRAWN	S.A.P. & J.P.S.
CHECKED	S.F.M.

PIER 1

SECTION 01-11126-00-BR
DOUGLAS ROAD DISTRICT
IROQUOIS COUNTY
STATION 14+69.94

4440 ASH GROVE SPRINGFIELD, IL 62711 (217) 799-9600 www.fehr-graham.com	FEHR-GRAHAM & ASSOCIATES, LLC ENGINEERING AND SCIENCE CONSULTANTS REPORTS, SURVEYING, SOILS, & WATER IN SPRINGFIELD, IL	JOB NO.: 46815 FILE: 0228PIER.DGN DATE: 12/08/06
--	--	--