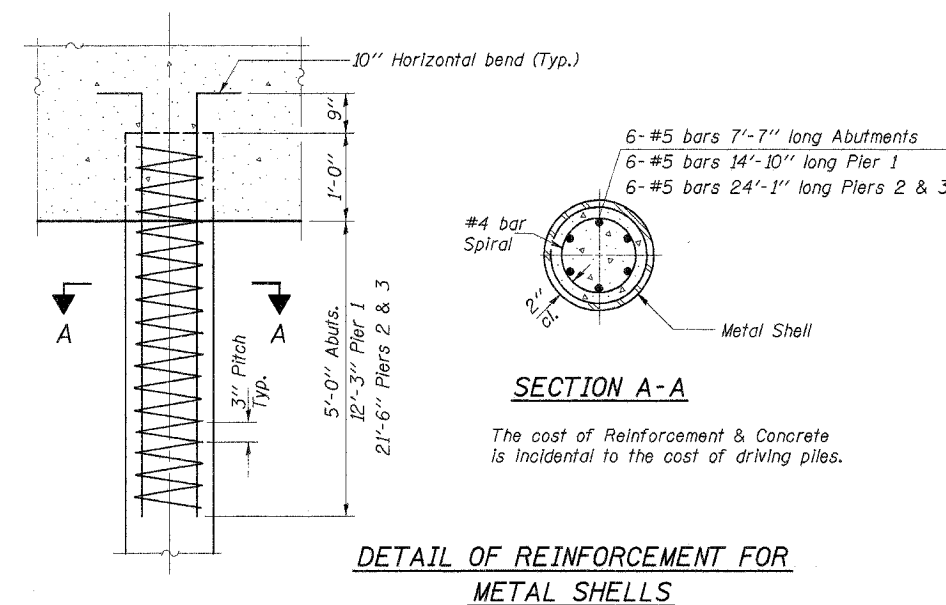
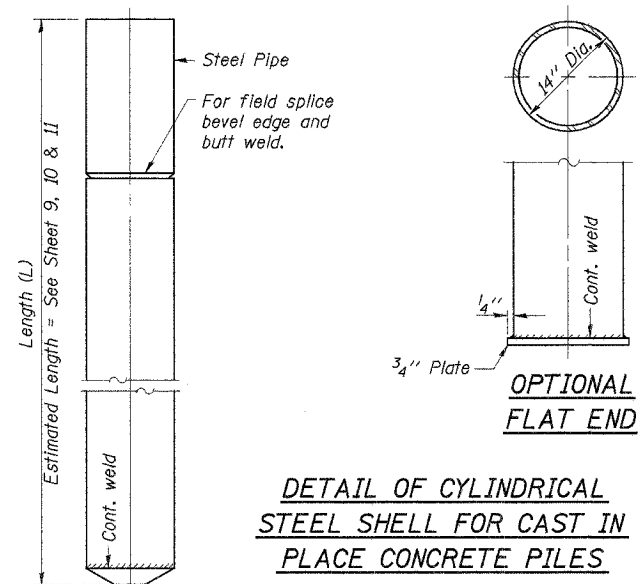


ROUTE NO.	SECTION	COUNTY	TOTAL SHEETS	SHEET NO.
T.R. 159	01-11126-00-BR	IROQUOIS	23	12
DOUGLAS ROAD DIST.	ILLINOIS	BROS-075(128)		

CONTRACT NO. 87300

Notes: Driving and bearing ends of pipe shall be cut square. The thickness of the shell shall be 0.25 inches with a tolerance of 5%. The shell shall be in accordance with ASTM A 252 Grade 3.



DESIGNED	P.S.L.
CHECKED	S.F.M.
DRAWN	S.A.P. & J.P.S.
CHECKED	S.F.M.

PILE DETAILS
SECTION 01-11126-00-BR
DOUGLAS ROAD DISTRICT
IROQUOIS COUNTY
STATION 14+69.94

4440 ASH GROVE
SPRINGFIELD, IL 62711
(217) 793-8600
www.fehr-graham.com

FEHR-GRAHAM & ASSOCIATES, LLC
ENGINEERING AND SCIENCE CONSULTANTS
P.O. BOX 1000, ROCKFORD, IL 61105

JOB NO.: 46815
FILE: 0228PILES.DGN
DATE: 12/08/06