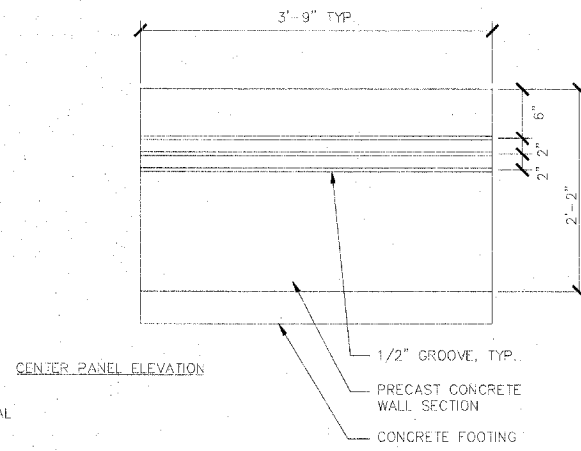
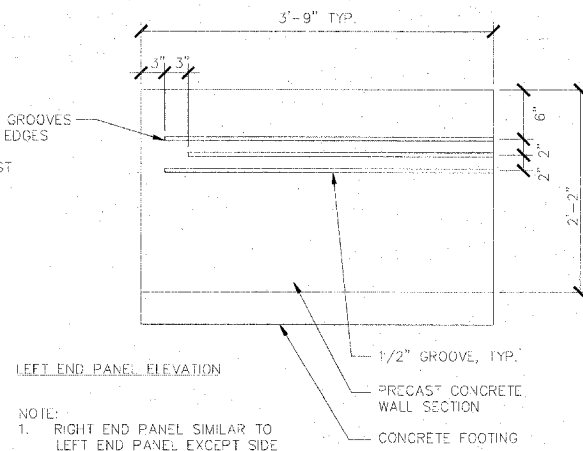


- NOTES:
1. ALL JOINTS TO BE CONTINUOUSLY SEALED TO PREVENT SOIL MIGRATION.
 2. WALL MANUFACTURER TO SUBMIT SHOP DRAWINGS OF WALL FOR APPROVAL PRIOR TO FABRICATION.
 3. VERIFY FIELD DIMENSION OF WALL FOOTING

PRECAST WALL - TYPE B
 STATION: 27+77 TO 27+89

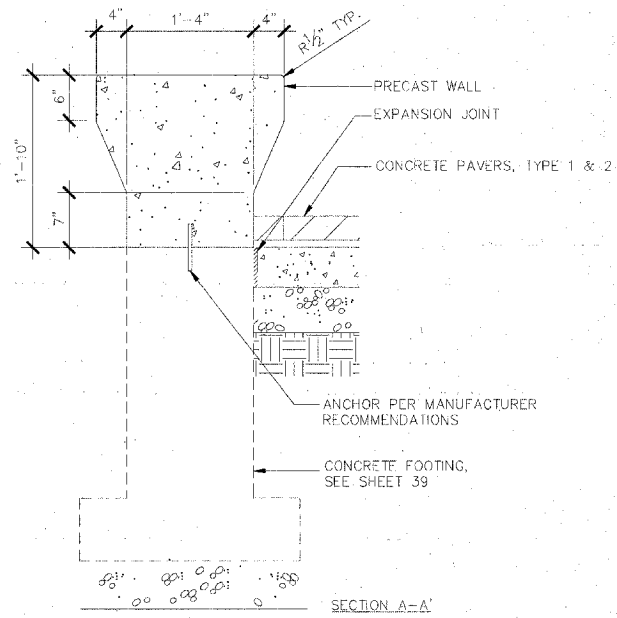


CENTER PANEL ELEVATION

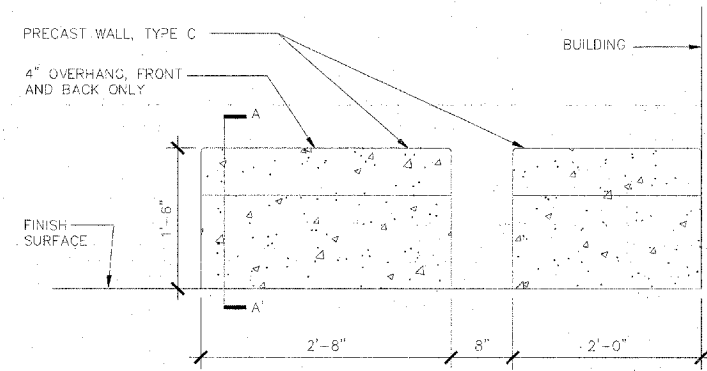


LEFT END PANEL ELEVATION

- NOTE:
1. RIGHT END PANEL SIMILAR TO LEFT END PANEL EXCEPT SIDE OF GROOVE TERMINATION

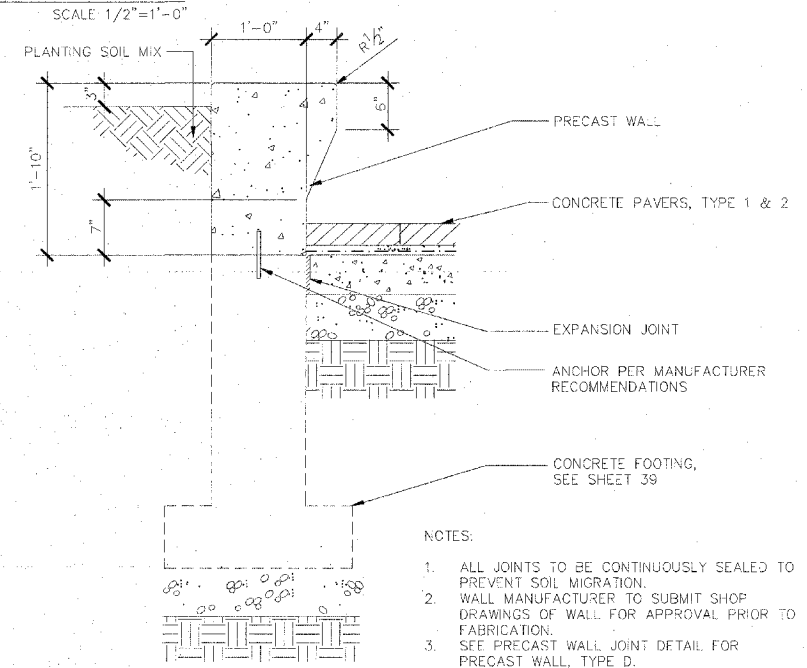


PRECAST WALL - TYPE C
 STATIONS: 2+51 TO 2+56 RT.



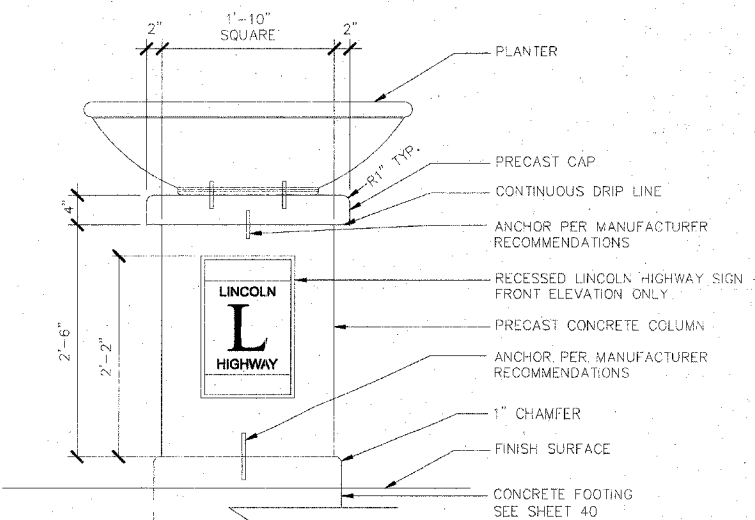
ELEVATION

- NOTES:
1. WALL MANUFACTURER TO SUBMIT SHOP DRAWINGS OF WALL FOR APPROVAL PRIOR TO FABRICATION.



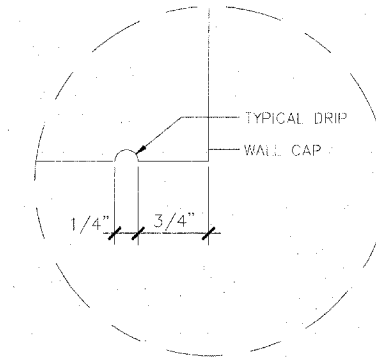
PRECAST WALL - TYPE D
 STATIONS: APPROX. 2+40 TO 2+56 RT.

- NOTES:
1. ALL JOINTS TO BE CONTINUOUSLY SEALED TO PREVENT SOIL MIGRATION.
 2. WALL MANUFACTURER TO SUBMIT SHOP DRAWINGS OF WALL FOR APPROVAL PRIOR TO FABRICATION.
 3. SEE PRECAST WALL JOINT DETAIL FOR PRECAST WALL, TYPE D.



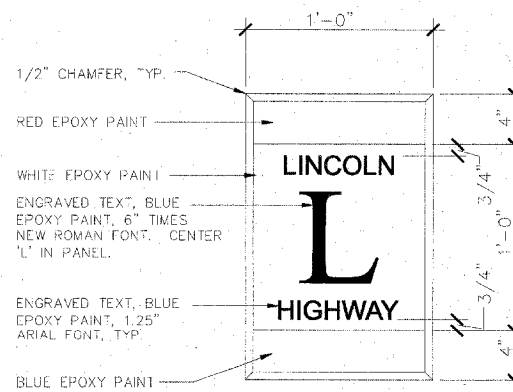
- NOTE:
1. WALL MANUFACTURER TO SUBMIT SHOP DRAWINGS OF WALL FOR APPROVAL PRIOR TO FABRICATION.
 2. ANCHOR PLANTER TO COLUMN PER MANUFACTURER'S RECOMMENDATION.

PRECAST COLUMN WITH PLANTER
 STATION: 27+77 TO 27+89



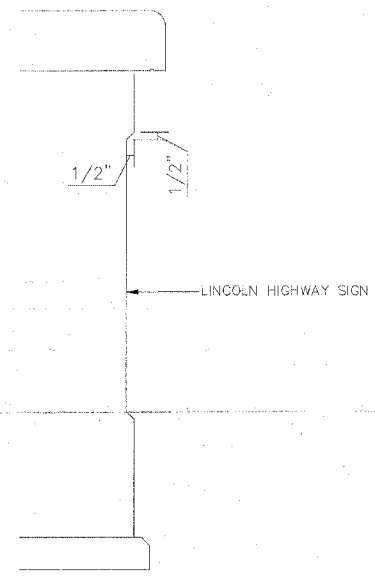
DRIP LINE DETAIL

NTS



LINCOLN HIGHWAY SIGN

SCALE 2"=1'-0"



RECESSED LINCOLN HIGHWAY SIGN SECTION

SCALE 2"=1'-0"

SCALE 1"=1'-0"

LAYOUT SAA 04/09/08 Huss/Delli
 DRAWN SAA 04/09/08 04/09/08 04/09/08
 REVIEWED CPS 04/10/08 04/10/08 04/10/08
 I:\05jobs\041501A\CADD\Sheet\SAA\p-D.DWG

FILE NAME =	USER NAME = SAA	DESIGNED -- SAA	REVISED --
I:\05jobs\041501A\CADD\Sheet\SAA\p-D.DWG	DRAWN -- SAA	DRAWN -- SAA	REVISED --
	PLOT SCALE = AS SHOWN	CHECKED -- CPS	REVISED --
	PLOT DATE = 04/14/2008, 01:24 PM	DATE -- 04/10/08	REVISED --

STATE OF ILLINOIS
 DEPARTMENT OF TRANSPORTATION

LANDSCAPING - PRECAST WALL & SIGN DETAILS
 EAST LINCOLN HIGHWAY
 LIGHTING AND STREETSCAPE
 DEKALB, IL

SCALE: AS SHOWN SHEET NO. OF SHEETS STA. TO STA.

F.A.P. RTE.	SECTION	COUNTY	TOTAL SHEET NO.
567	06-00173-00-LT	DEKALB	41 19
CONTRACT NO. 87337			
FAP 567	ILLINOIS 32025		