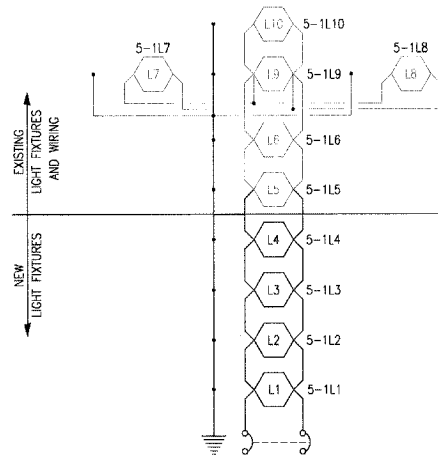
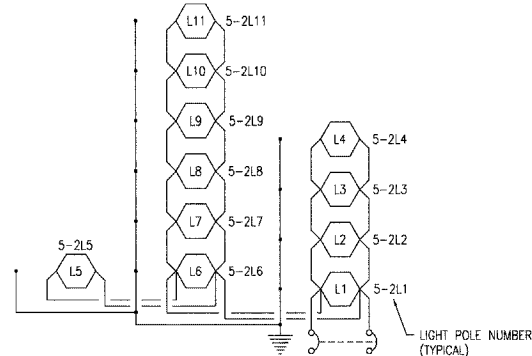




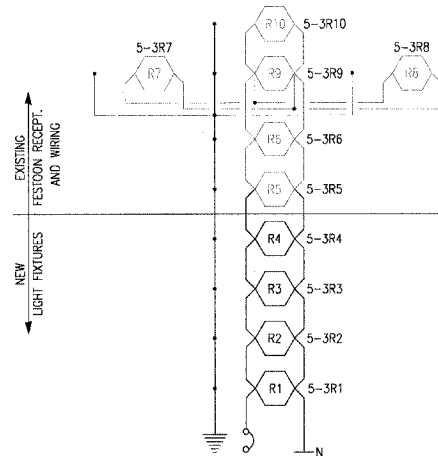
Hanson Professional Services Inc.
 Copyright Hanson Professional Services Inc. 2007



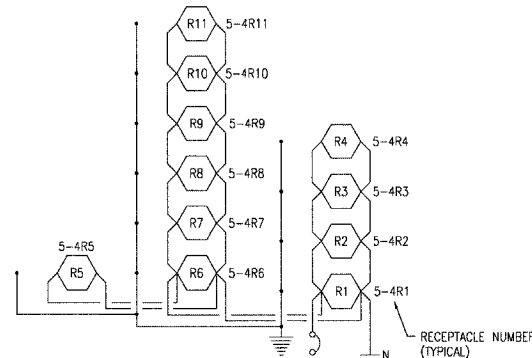
30 AMP, 2-POLE BREAKER
 ALL CONDUCTOR #4
CIRCUIT #1 - LIGHTS
 CONTROLLER
 100 AMP, 240 VOLT, SINGLE PHASE,
 3745 VA TOTAL LOAD



30 AMP, 2-POLE BREAKER
 ALL CONDUCTOR #4
CIRCUIT #2 - LIGHTS
 CONTROLLER
 100 AMP, 240 VOLT, SINGLE PHASE,
 3785 VA TOTAL LOAD



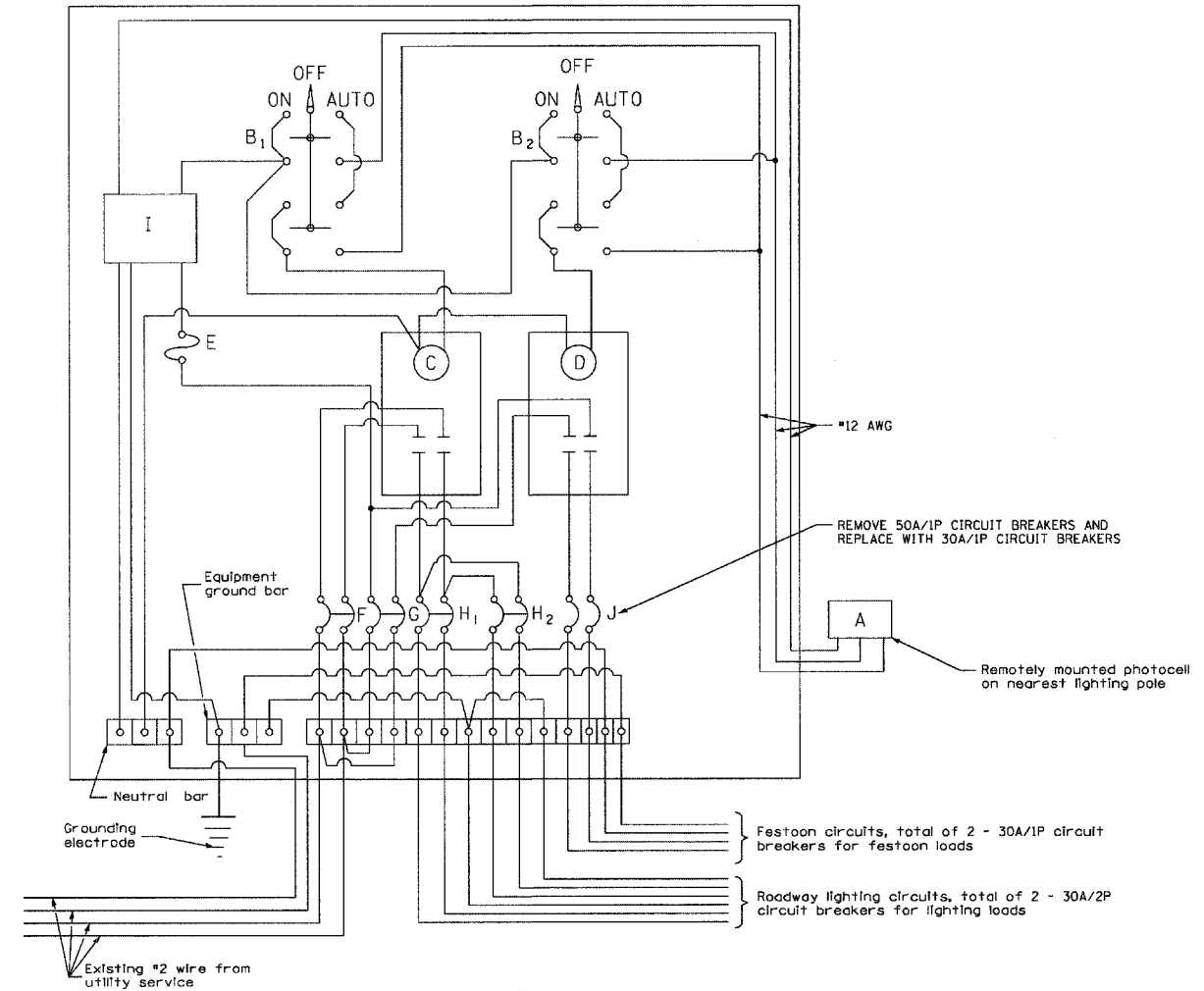
30 AMP, 1-POLE BREAKER
 ALL CONDUCTOR #4
CIRCUIT #3 - FESTOON RECEPTACLES
 CONTROLLER
 100 AMP, 120 VOLT, SINGLE PHASE,
 3000 VA TOTAL LOAD



30 AMP, 1-POLE BREAKER
 ALL CONDUCTOR #4
CIRCUIT #4 - FESTOON RECEPTACLES
 CONTROLLER
 100 AMP, 120 VOLT, SINGLE PHASE,
 3300 VA TOTAL LOAD

MATERIALS (EXISTING)

- A Photocell < Highway lighting/Festoon circuit
- B₁ 3 Position selector switch
- B₂ 3 Position selector switch
- C,D 100 Amp Electrically held contactors
- E 15 Amp circuit breaker
- F 100 Amp 2 Pole, main circuit breaker
- G 100 Amp 2 Pole, main circuit breaker
- H 30 Amp 2 Pole branch circuit breakers for lighting
- I Surge arrester
- J 30 Amp 1 pole circuit breakers for festoon receptacles



**LIGHTING CONTROLLER
 AT 5TH STREET (EXISTING)**

FILE NAME: C:\Users\janc\Documents\Projects\5th St\5th St.dwg
 USER: janc
 DATE: 04/10/08
 TIME: 10:50:00 AM
 PLOT DATE: 04/10/08 09:40:00 AM

FILE NAME	C:\Users\janc\Documents\Projects\5th St\5th St.dwg
USER	janc
DATE	04/10/08
TIME	10:50:00 AM

DESIGNED	PJT
DRAWN	ANC
CHECKED	PJT
PLOT DATE	04/10/08 09:40:00 AM

REVISED	/ /
REVISED	/ /
REVISED	/ /
REVISED	/ /

**STATE OF ILLINOIS
 DEPARTMENT OF TRANSPORTATION**

**EXISTING DUAL CONTROLLER TYPE CB-RCS
 EAST LINCOLN HIGHWAY
 LIGHTING AND STREETScape
 DEKALB, IL**

SCALE: AS SHOWN SHEET NO. OF SHEETS STA. TO STA.

F.A.P. RTE.	SECTION	COUNTY	TOTAL SHEETS	SHEET NO.
567	06-00173-00-LT	DEKALB	41	33
CONTRACT NO. 87337				
ILLINOIS ITP 32025				