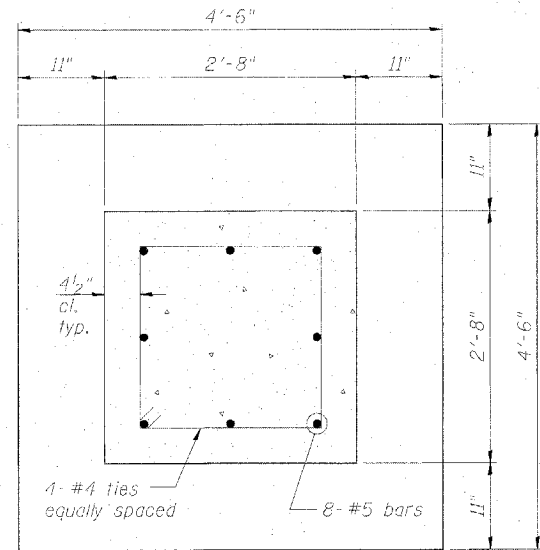


SECTION F-F
 PLANTER TOWER FOUNDATION



SECTION G-G

T/FIG. EL.
 877.75 - Near 5th St. Sta. 9+59, RT
 879.48 - Near 6th St. Sta. 12+73, RT
 879.75 - Near 6th St. Sta 12+98, RT

FILE NAME: I:\02\25\08\Huss0041
 DRAWN: MCM 10/10/08 09:42:00 AM
 CHECKED: FLN 10/10/08 10:05:05 AM
 I:\02\25\08\Huss0041\Struct\Sheet\S-TOWER PLANTER.dgn

FILE NAME =	I:\02\25\08\Huss0041\Struct\Sheet\S-TOWER PLANTER.dgn	USER NAME =	MWH	DESIGNED -	FLN	REVISED -	
DRAWN -	MCM	CHECKED -	FLN	DATE -	04/10/08	REVISED -	
PLOT SCALE =	AS SHOWN						
PLOT DATE =	04/10/08 11:36 AM						

STATE OF ILLINOIS
 DEPARTMENT OF TRANSPORTATION

SCALE: AS SHOWN		SHEET NO.	OF	SHEETS	STA.	TO STA.	F.A.P. RTE. 567	SECTION 06-00173-00-L1	COUNTY DEKALB	TOTAL SHEETS 41	SHEET NO. 41	
							FAP 567	CONTRACT NO. 87337				

FOUNDATION DETAILS
 EAST LINCOLN HIGHWAY
 LIGHTING AND STREETSCAPE
 DEKALB, IL