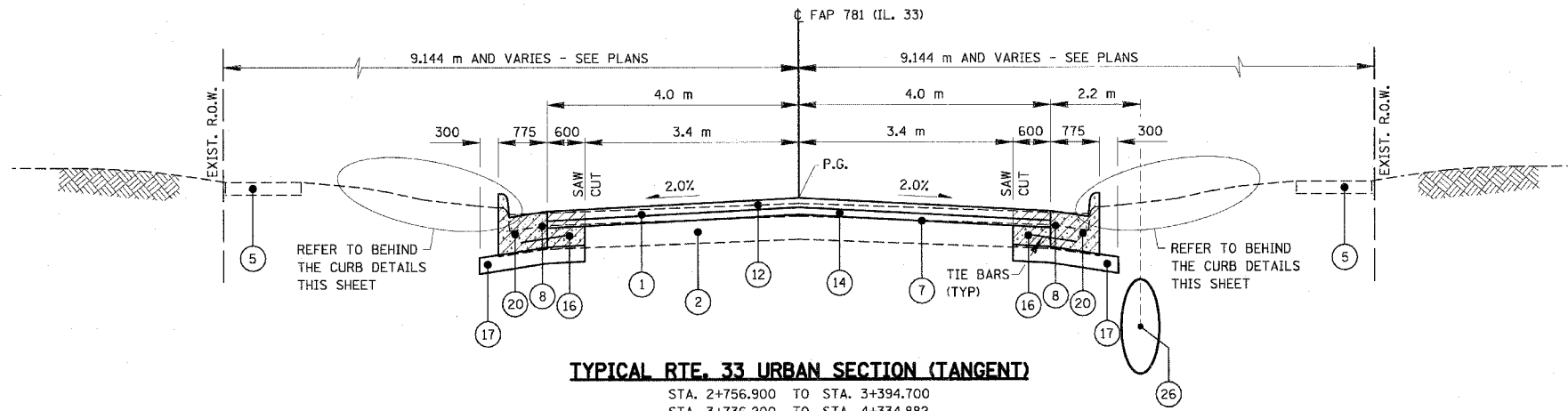


F.A.P. RTE.	SECTION	COUNTY	TOTAL SHEETS	SHEET NO.
781	1YRS, 2ZRS-1	CRAWFORD	378	12
STA.		TO STA.		
FED. ROAD DIST. NO.		ILLINOIS	FED. AID PROJECT	

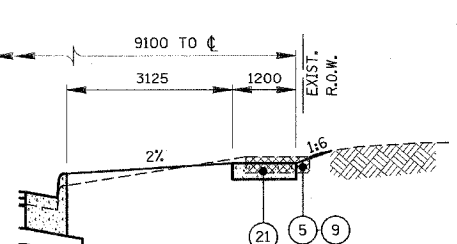
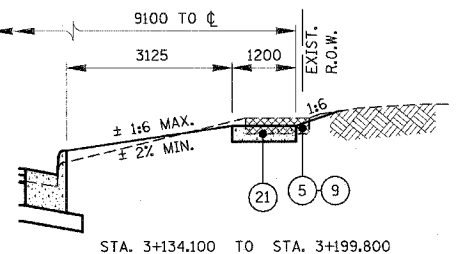
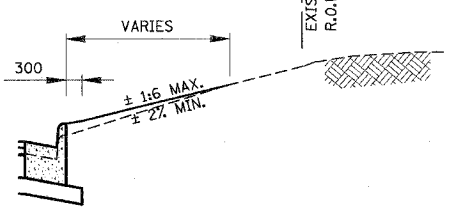
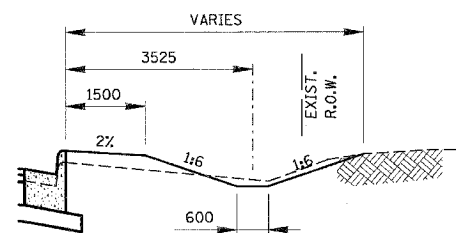
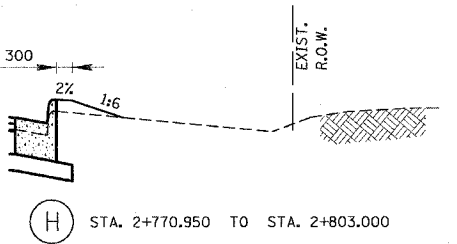
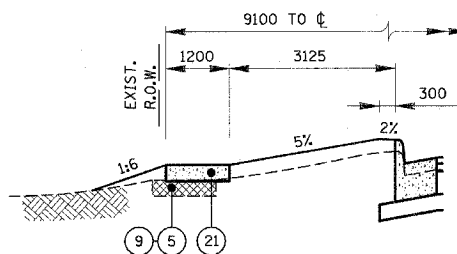
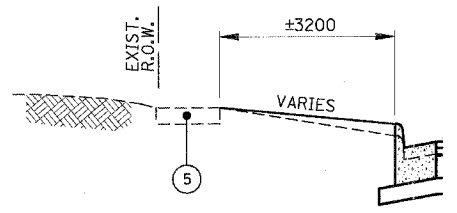
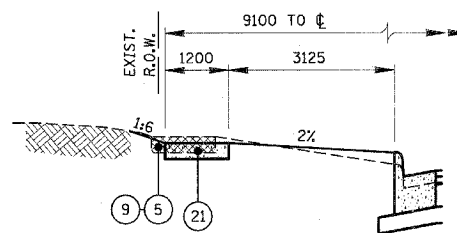
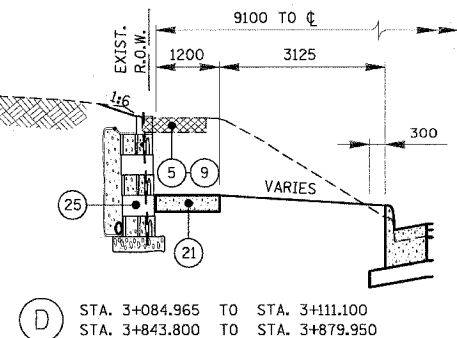
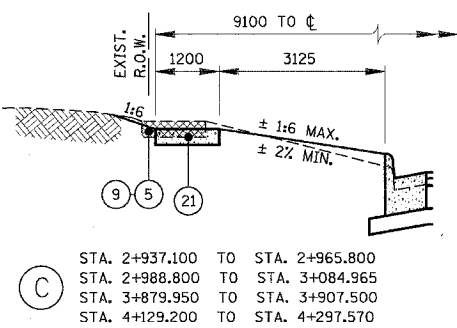
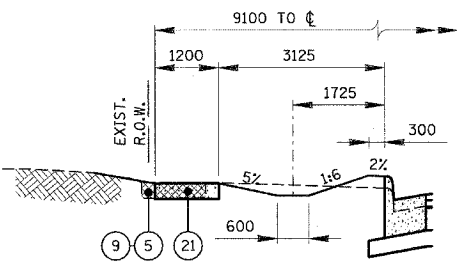
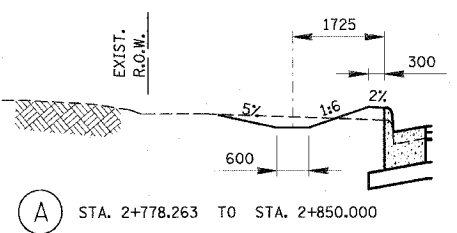


TYPICAL RTE. 33 URBAN SECTION (TANGENT)

STA. 2+756.900 TO STA. 3+394.700
 STA. 3+736.200 TO STA. 4+334.882

LEGEND

- ① EXISTING BITUMINOUS SURFACE
- ② EXISTING P.C. CONCRETE BASE
- ③ EXISTING EARTH SHOULDER
- ④ EXISTING CONCRETE CURB AND GUTTER
- ⑤ EXISTING CONCRETE SIDEWALK
- ⑥ M4400715 - HOT-MIX ASPHALT SURFACE REMOVAL, 15mm
- ⑦ M4400725 - HOT-MIX ASPHALT SURFACE REMOVAL, 25mm
- ⑧ M4400740 - HOT-MIX ASPHALT SURFACE REMOVAL, 40mm
- ⑨ M4400950 - HOT-MIX ASPHALT SURFACE REMOVAL, VARIABLE DEPTH
- ⑩ M4402000 - PAVEMENT REMOVAL
- ⑪ M4402050 - SIDEWALK REMOVAL
- ⑫ M3552100 - HOT-MIX ASPHALT BASE COURSE, VARIABLE DEPTH
- ⑬ M4820550 - HOT-MIX ASPHALT SHOULDERS, 150mm
- ⑭ M4063340 - HOT-MIX ASPHALT SURFACE COURSE, MIX "D", N70 (38mm)
- ⑮ M4062135 - LEVELING BINDER (MACHINE METHOD), N70 (19mm)
- ⑯ M4063080 - HOT-MIX ASPHALT BINDER COURSE, IL-19.0, N50 (VARIABLE DEPTH)
- ⑰ M4075350 - HOT-MIX ASPHALT PAVEMENT (FULL DEPTH), 350mm (312mm BASE COURSE, 38mm SURFACE COURSE)
- ⑱ M3530200 - PORTLAND CEMENT CONCRETE BASE COURSE, 200mm
- ⑲ M3111100 - SUB-BASE GRANULAR MATERIAL, TYPE B, 100mm
- ⑳ M3101500 - LIME
- ㉑ M3100300 - PROCESSING LIME STABILIZED SOIL MIXTURE, 300mm
- ㉒ M4810150 - AGGREGATE SHOULDERS, TYPE B 150mm
- ㉓ M6060700 - COMBINATION CONCRETE CURB & GUTTER, TYPE B-15.60
- ㉔ M4240100 - P.C. CONCRETE SIDEWALK, 100mm
- ㉕ MX032553 - TOPSOIL EXCAVATION
- ㉖ MX032879 - TOPSOIL PLACEMENT
- ㉗ M2021200 - REMOVAL AND DISPOSAL OF UNSUITABLE MATERIAL
- ㉘ M2034730 - MODULAR RETAINING WALL SYSTEM
- ㉙ PROPOSED STORM SEWER TRUNKLINE



REVISIONS	
NAME	DATE
K.ROSE	1/04/00
R.G.H.	11/28/06
L.W.J.	03/19/08

ILLINOIS DEPARTMENT OF TRANSPORTATION
TYPICAL SECTIONS
F.A.P. 781
 SCALE NO SCALE DRAWN BY KOJ
 DATE MARCH 20, 2008 CHECKED BY RGH

PLOT DATE = 3/27/2008
 FILE NAME = HV442070009.dgn

H. M. & C. NO. 4420