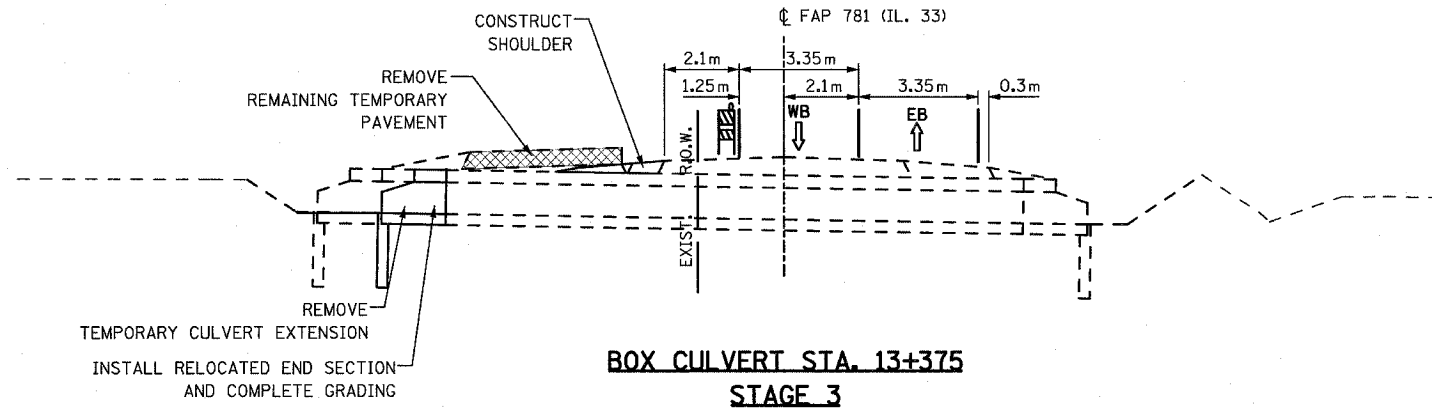
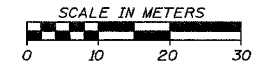


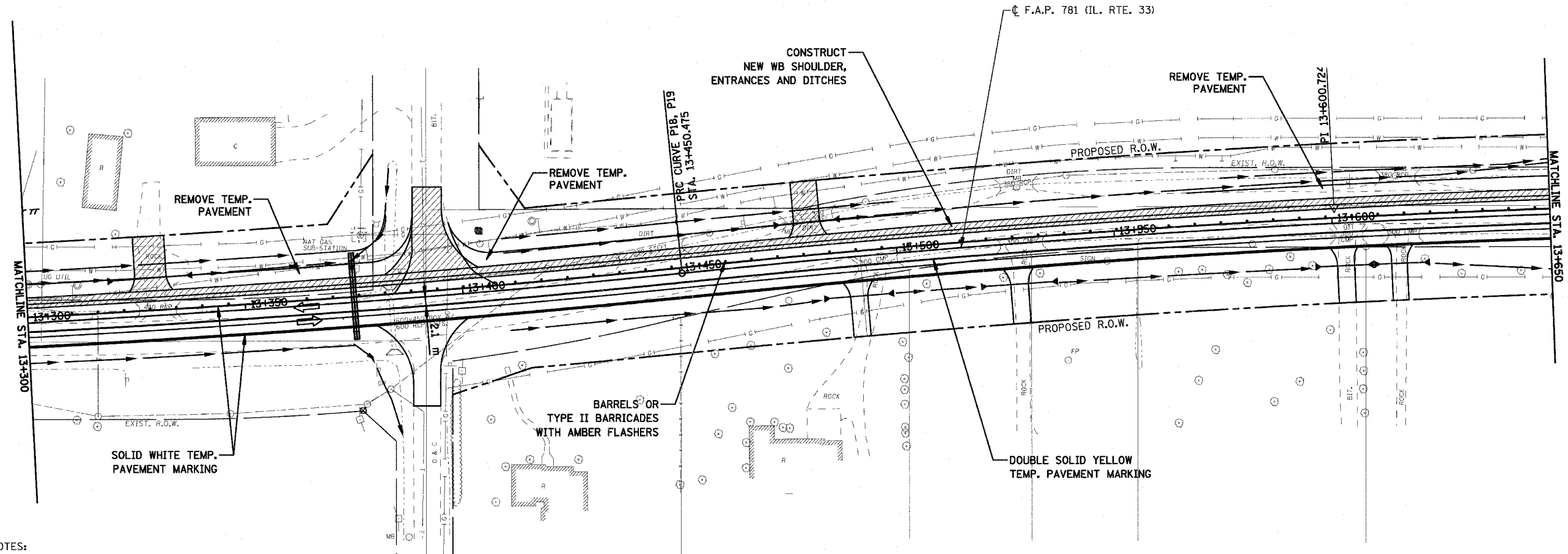
| F.A.P. RTE. | SECTION | COUNTY | TOTAL SHEETS | SHEET NO. |
|---------------------|--------------|----------|------------------|-----------|
| 781 | 1YRS, 2ZRS-1 | CRAWFORD | 378 | 119 |
| STA. | | TO STA. | | |
| FED. ROAD DIST. NO. | | ILLINOIS | FED. AID PROJECT | |

LEGEND

 CONSTRUCTION THIS STAGE

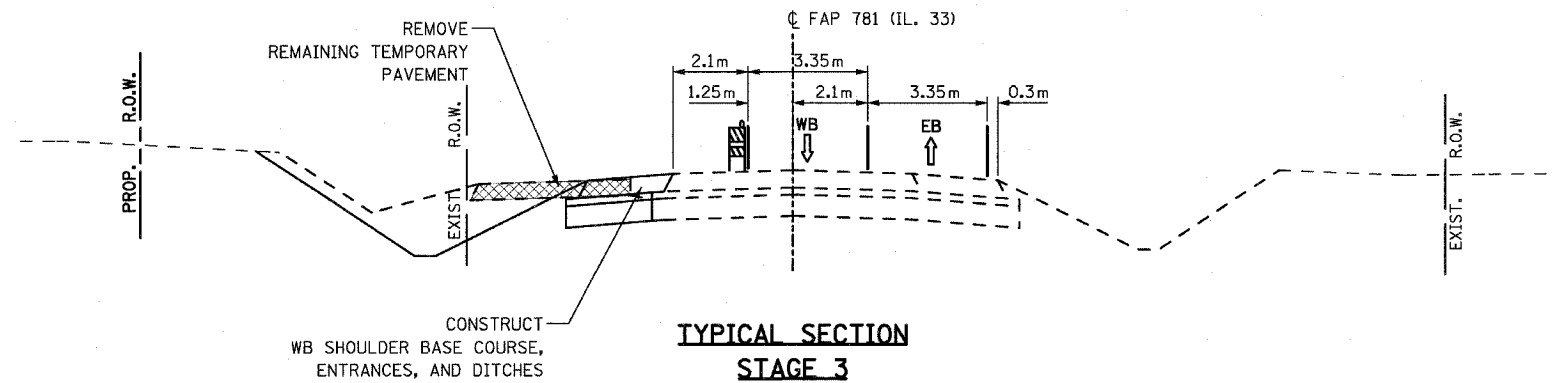


**BOX CULVERT STA. 13+375
STAGE 3**



NOTES:

1. CONSTRUCT TEMPORARY AGGREGATE ENTRANCES AS NEEDED TO MAINTAIN ACCESS.
2. TWO-WAY / TWO-LANE TRAFFIC SHALL BE RESTORED AT THE END OF THE WORK DAY. TWO-WAY / ONE-LANE TRAFFIC SHALL BE USED ON A LIMITED BASIS, WHEN REQUIRED, UTILIZING THE APPROPRIATE STANDARD.
3. FINAL HMA SURFACE COURSE SHALL BE PLACED THROUGHOUT THE PROJECT LIMITS AS A SEPARATE STAGE.



**TYPICAL SECTION
STAGE 3**

PLOT DATE = 4/16/2008
FILE NAME = H:\4420\781\stage3.dgn

HMG JOB NO. 4420