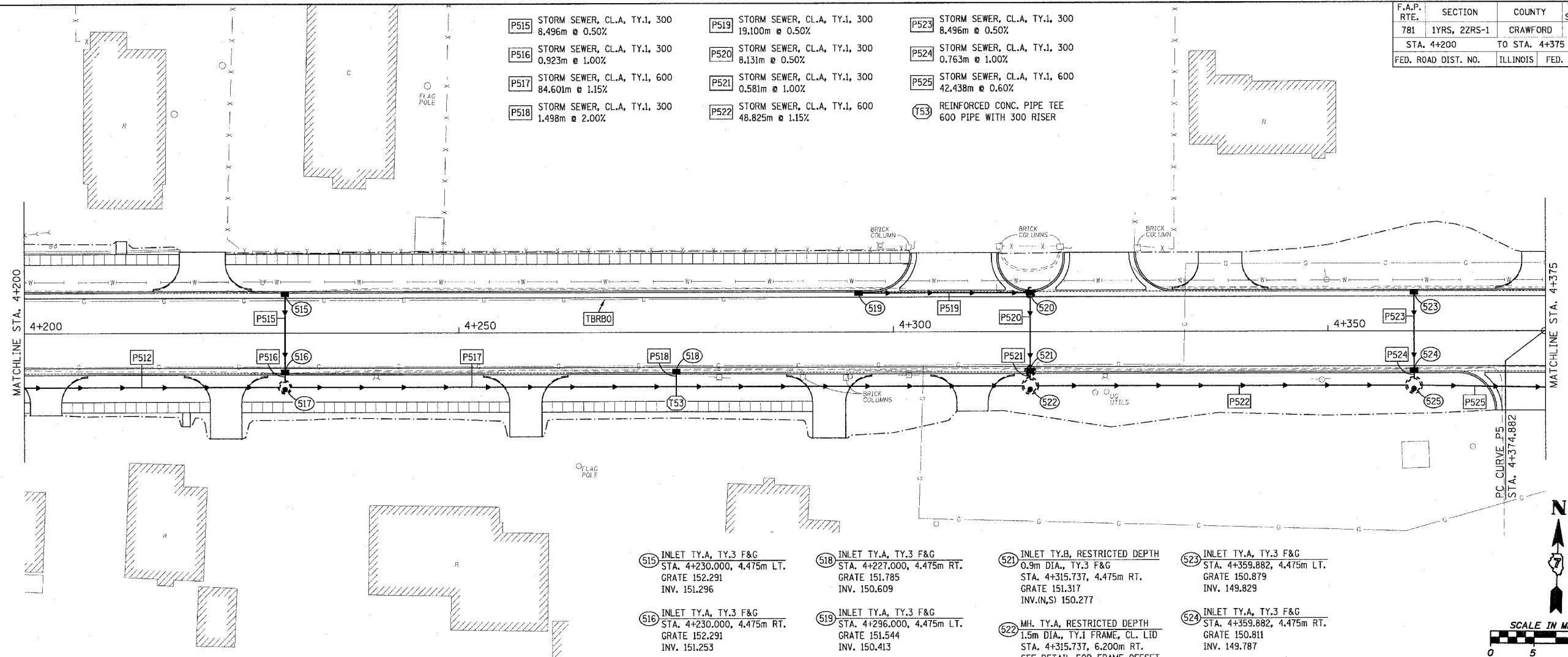
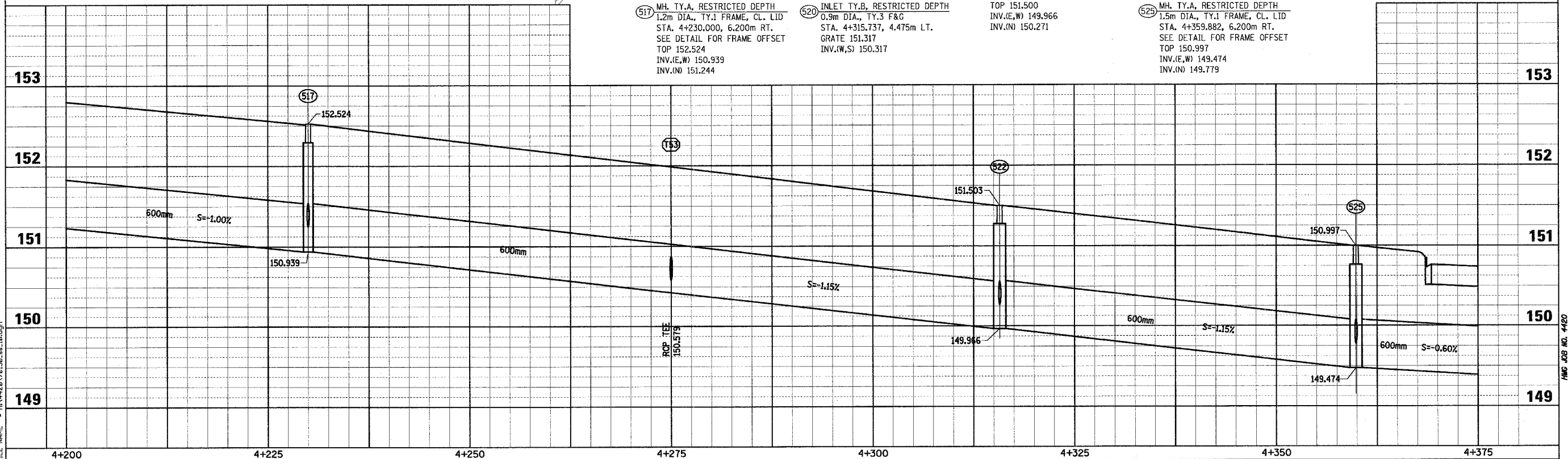


F.A.P. RTE.	SECTION	COUNTY	TOTAL SHEETS	SHEET NO.
781	1YRS, 2ZRS-1	CRAWFORD	378	130
STA. 4+200		TO STA. 4+375		
FED. ROAD DIST. NO.		ILLINOIS	FED. AID PROJECT	

- P515 STORM SEWER, CL.A, TY.1, 300 8.496m @ 0.50%
- P516 STORM SEWER, CL.A, TY.1, 300 0.923m @ 1.00%
- P517 STORM SEWER, CL.A, TY.1, 600 84.601m @ 1.15%
- P518 STORM SEWER, CL.A, TY.1, 300 1.498m @ 2.00%
- P519 STORM SEWER, CL.A, TY.1, 300 19.100m @ 0.50%
- P520 STORM SEWER, CL.A, TY.1, 300 8.131m @ 0.50%
- P521 STORM SEWER, CL.A, TY.1, 300 0.581m @ 1.00%
- P522 STORM SEWER, CL.A, TY.1, 600 48.825m @ 1.15%
- P523 STORM SEWER, CL.A, TY.1, 300 8.496m @ 0.50%
- P524 STORM SEWER, CL.A, TY.1, 300 0.763m @ 1.00%
- P525 STORM SEWER, CL.A, TY.1, 600 42.438m @ 0.60%
- T53 REINFORCED CONC. PIPE TEE 600 PIPE WITH 300 RISER



- 515 INLET TY.A, TY.3 F&G
STA. 4+230.000, 4.475m LT.
GRATE 152.291
INV. 151.296
- 516 INLET TY.A, TY.3 F&G
STA. 4+230.000, 4.475m RT.
GRATE 152.291
INV. 151.253
- 517 MH, TY.A, RESTRICTED DEPTH
1.2m DIA., TY.1 FRAME, CL. LID
STA. 4+230.000, 6.200m RT.
SEE DETAIL FOR FRAME OFFSET
TOP 152.524
INV.(E,W) 150.939
INV.(N) 151.244
- 518 INLET TY.A, TY.3 F&G
STA. 4+227.000, 4.475m RT.
GRATE 151.785
INV. 150.609
- 519 INLET TY.A, TY.3 F&G
STA. 4+296.000, 4.475m LT.
GRATE 151.544
INV. 150.413
- 520 INLET TY.B, RESTRICTED DEPTH
0.9m DIA., TY.3 F&G
STA. 4+315.737, 4.475m LT.
GRATE 151.317
INV.(W,S) 150.317
- 521 INLET TY.B, RESTRICTED DEPTH
0.9m DIA., TY.3 F&G
STA. 4+315.737, 4.475m RT.
GRATE 151.317
INV.(N,S) 150.277
- 522 MH, TY.A, RESTRICTED DEPTH
1.5m DIA., TY.1 FRAME, CL. LID
STA. 4+315.737, 6.200m RT.
SEE DETAIL FOR FRAME OFFSET
TOP 151.500
INV.(E,W) 149.966
INV.(N) 150.271
- 523 INLET TY.A, TY.3 F&G
STA. 4+359.882, 4.475m LT.
GRATE 150.879
INV. 149.829
- 524 INLET TY.A, TY.3 F&G
STA. 4+359.882, 4.475m RT.
GRATE 150.811
INV. 149.787
- 525 MH, TY.A, RESTRICTED DEPTH
1.5m DIA., TY.1 FRAME, CL. LID
STA. 4+359.882, 6.200m RT.
SEE DETAIL FOR FRAME OFFSET
TOP 150.997
INV.(E,W) 149.474
INV.(N) 149.779



PLOT DATE = 3/28/2008
FILE NAME = H:\1428\78130.mn_10.dgn

Sheet: 10
Angle: 1.7120
Chain: P_IL33

HMG JOB NO. 4420