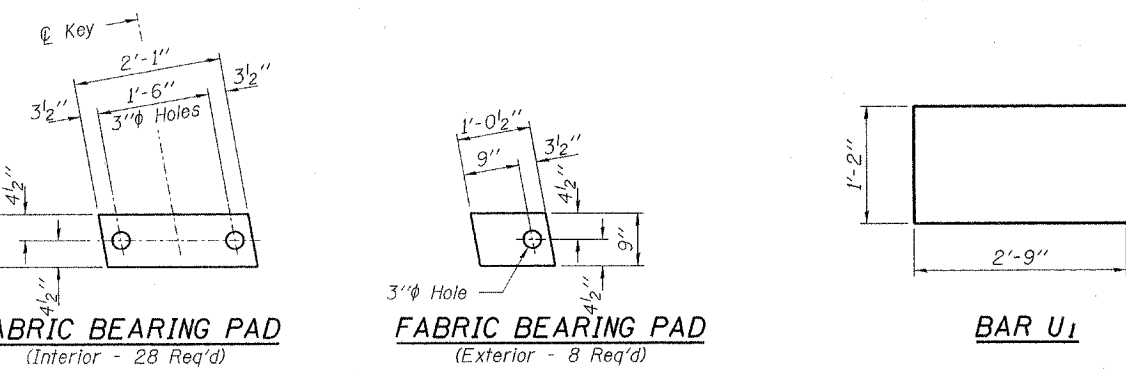
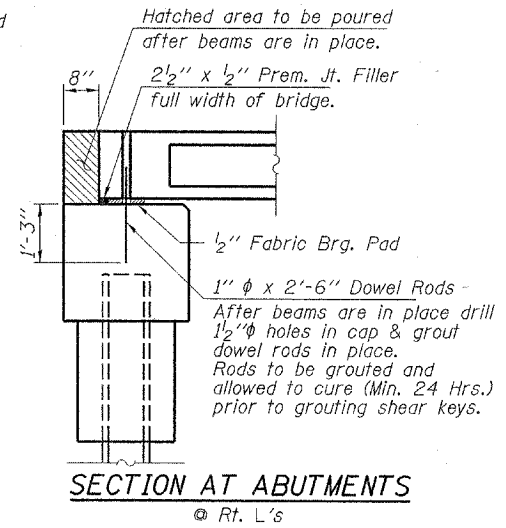
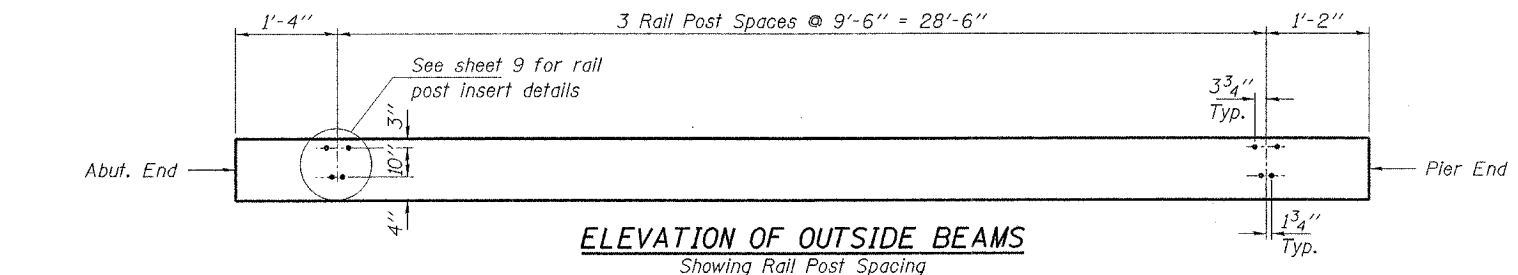
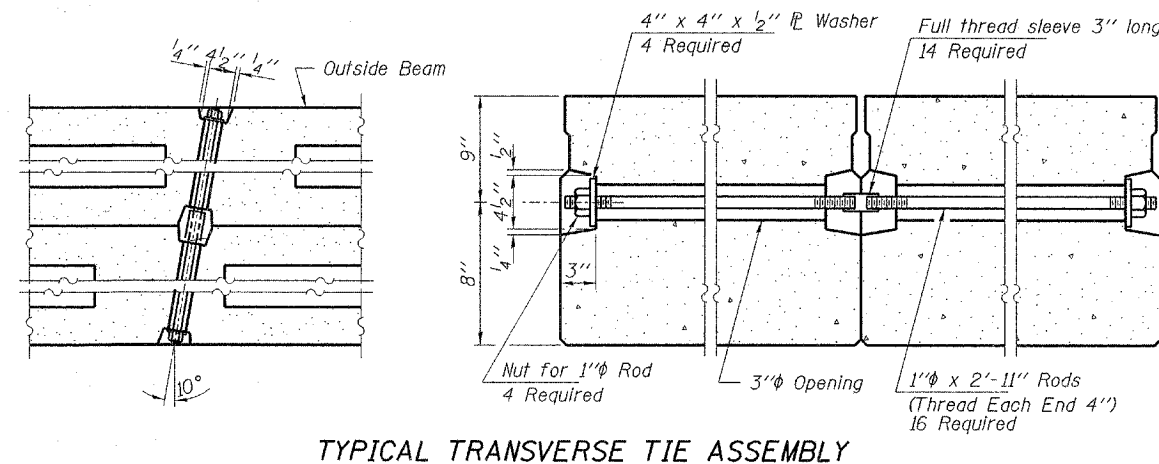
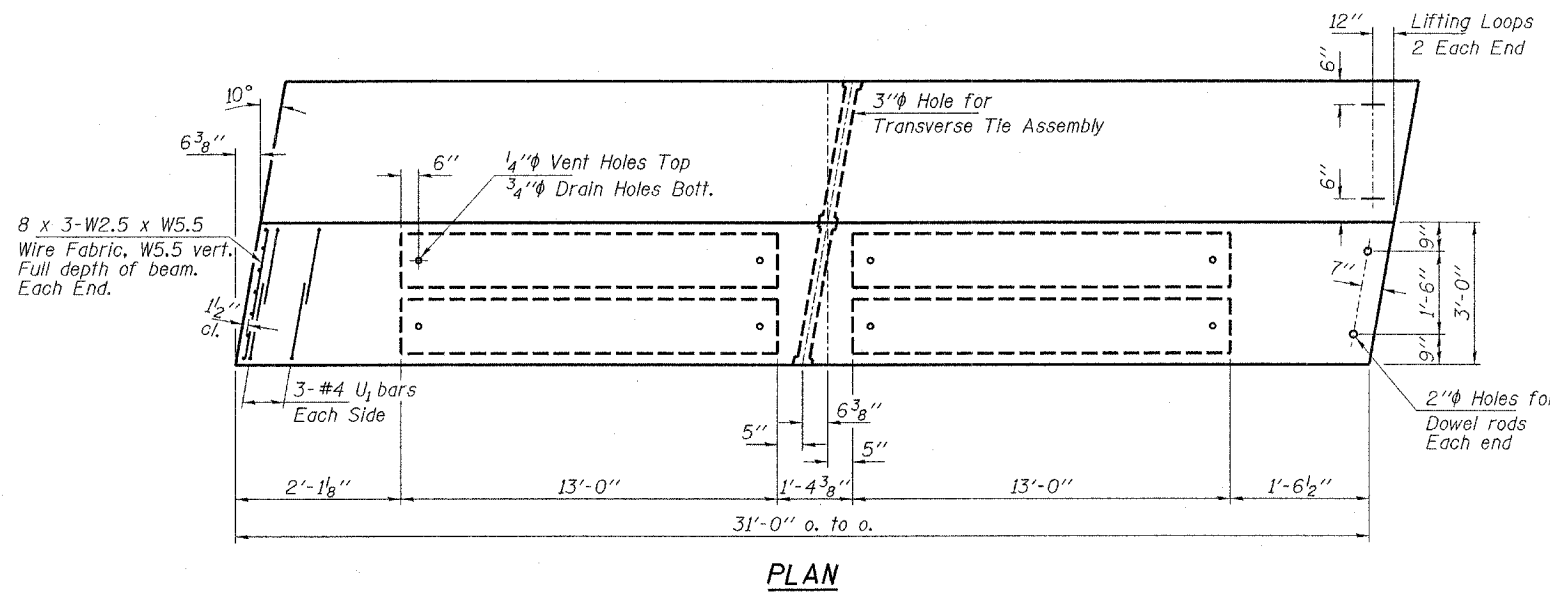
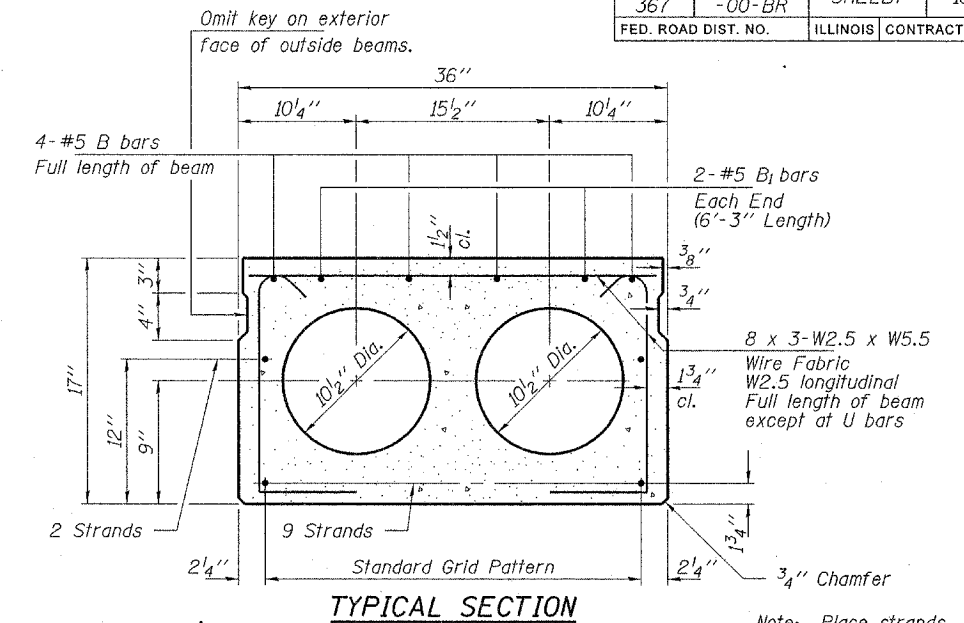


Note: The loop shall be formed in a manner such that all strands are engaged during lifting. Burning of the lifting loops shall not be permitted. Lifting loops shall be ground off level with the surface of the deck beams and protected with a two-compound epoxy in accordance with Article 1025.01 of the Standard Specifications.



NOTES

Prestressing steel shall be uncoated high strength, low-relaxation 7-wire strand, Grade 270. The nominal diameter shall be 1/2" and the nominal cross-sectional area shall be 0.153 sq. in. Lifting loops shall be 2-1/2"φ-270 ksi strands, as shown.

The 1"φ rods in the transverse tie assembly shall be tightened to a snug fit and the threads set. Pockets that receive transverse tie bar on outside shall be filled with grout after transverse tie assembly is in place.

Reinforcement bars shall conform to the requirements of ASTM A 706 Gr 60 (IL Modified). See Special Provisions.

The bearing seat surfaces shall be adjusted by shimming to assure firm and even bearing. Two 1/8" fabric adjusting shims of the dimensions of the Exterior Bearing Pad shall be provided for each bearing.

Keyway surfaces shall be cleaned to remove form oil or other bond breaking material prior to shipment of the beams. Cleaning shall be done by sandblasting the keyway areas between top of the beam and the bottom edge of the key.

Required Release Strength, f'cl, shall be 4,000 p.s.i.

BILL OF MATERIAL

ITEM	UNIT	QUANTITY
Precast Prestressed Concrete Deck Beams (17" Depth)	Sq. Ft.	1,488

HAMPTON, LENZINI & RENWICK, INC.
 CIVIL & STRUCTURAL ENGINEERS
 LAND SURVEYORS

3085 STEVENSON DRIVE, SUITE 201
 SPRINGFIELD, ILLINOIS 62703
 (217) 546-3400

ELGIN • SPRINGFIELD

PROJECT NUMBER: 12-87-001B-1 DATE: 01/23/08
 DESIGNED: R.J.P. CHECKED: S.W.M. DRAWN: D.T.M.

SUPERSTRUCTURE - SPANS 1 & 3

SECTION 06-03113-00-BR

CLARKSBURG ROAD DISTRICT

SHELBY COUNTY

STRUCTURE NO. 087-3561 / STATION 10+00