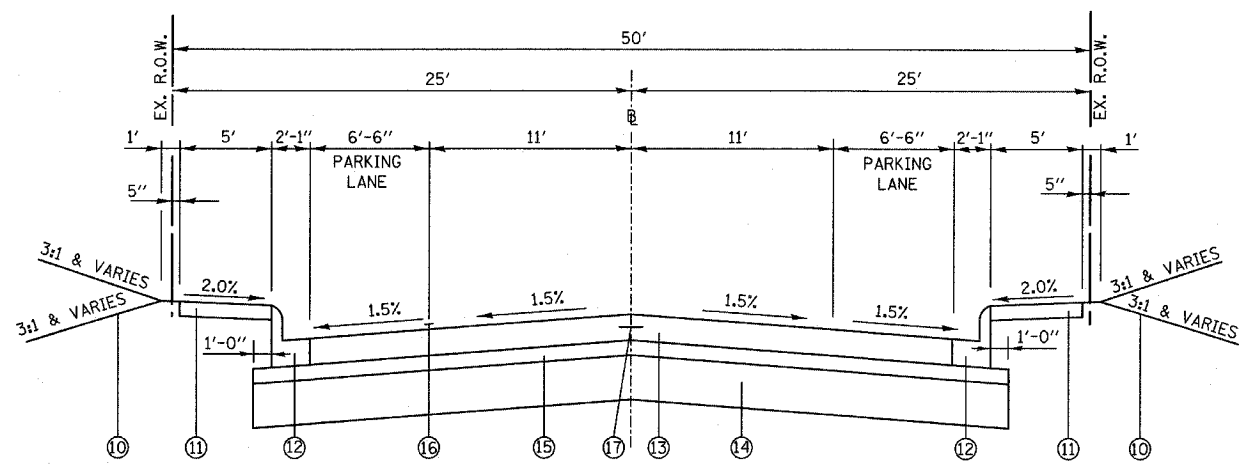
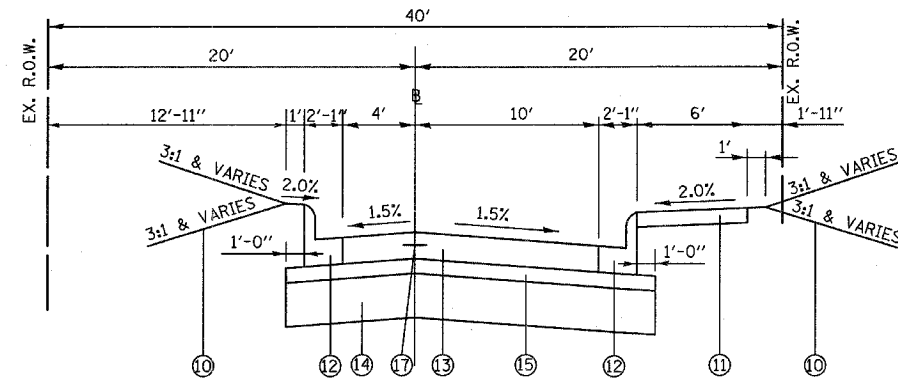


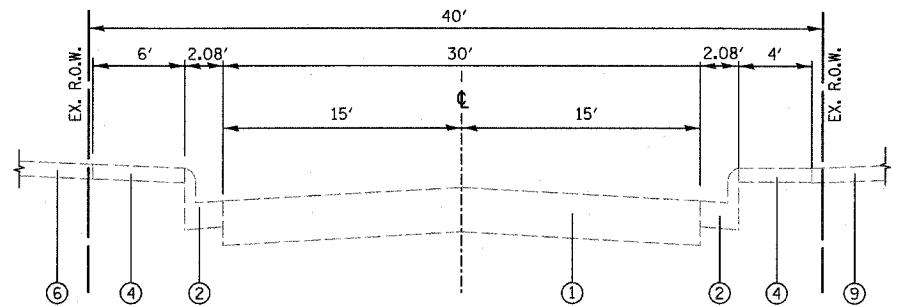
F.A.U. RTE.	SECTION	COUNTY	TOTAL SHEETS	SHEET NO.
9306	04-00042-01-PV	MONROE	42	7
STA. 32+80.06		TO STA. 26+64.28		
FED. ROAD DIST. NO.		ILLINOIS FED. AID PROJECT		



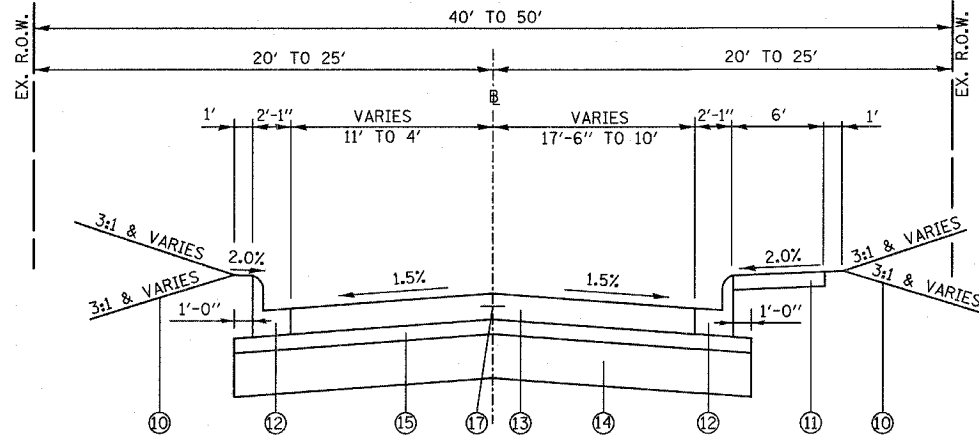
**PROPOSED LEGION STREET**  
STA. 21+49.70 TO STA. 22+96.32



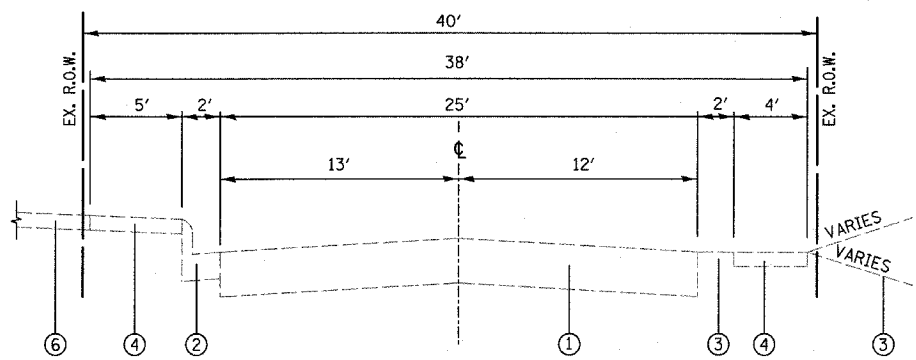
**PROPOSED LEGION STREET**  
STA. 25+98.82 TO STA. 26+64.28



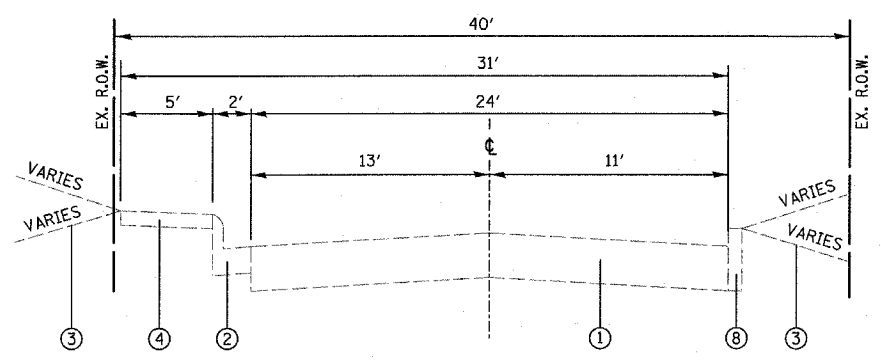
**EXISTING LEGION STREET**  
STA. 34+36.83 TO STA. 36+51.02



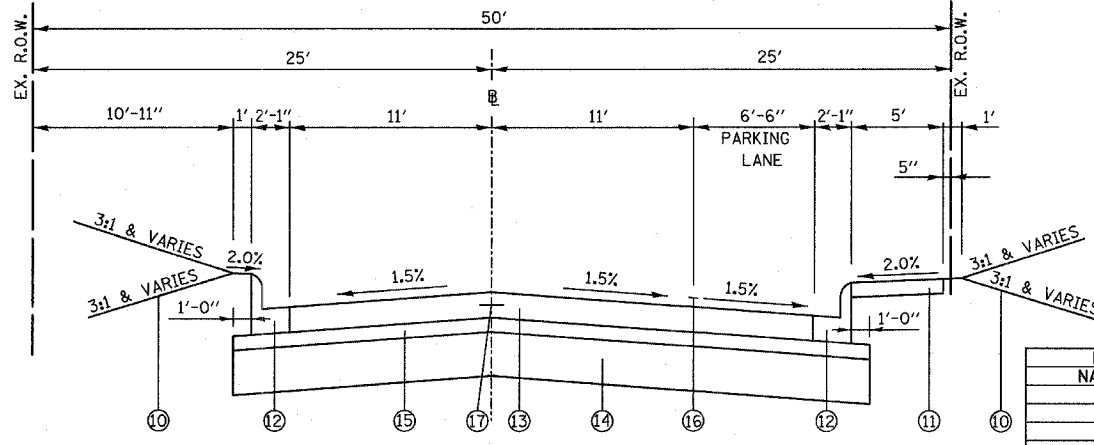
**PROPOSED LEGION STREET**  
STA. 24+51.97 TO STA. 25+98.82



**EXISTING LEGION STREET**  
STA. 33+72.88 TO STA. 34+36.83



**EXISTING LEGION STREET**  
STA. 32+80.06 TO STA. 33+72.88



**PROPOSED LEGION STREET**  
STA. 22+96.32 TO STA. 24+51.97

- ① EXISTING OIL & CHIP ROADWAY
- ② EXISTING COMBINATION CONCRETE CURB & GUTTER
- ③ EXISTING EARTH AREA
- ④ EXISTING CONCRETE SIDEWALK
- ⑤ EXISTING AGGREGATE SURFACE
- ⑥ EXISTING ASPHALT PARKING
- ⑦ EXISTING CONCRETE ROADWAY
- ⑧ EXISTING CONCRETE CURB
- ⑨ EXISTING CONCRETE PARKING
- ⑩ PROPOSED GRASS AREA
- ⑪ PROPOSED PORTLAND CEMENT CONCRETE SIDEWALK, 4"
- ⑫ PROPOSED COMBINATION CONCRETE CURB & GUTTER, TYPE B-6.18
- ⑬ PROPOSED PCC PAVEMENT, 7"
  - a. SEE HIGHWAY STANDARD BLR 10 FOR:
    - PAVEMENT JOINT LAYOUT DETAILS.
    - TRANSVERSE JOINT DETAILS.
    - EXPANSION JOINT DETAILS.
  - b. SEE HIGHWAY STANDARD 420001 FOR:
    - LONGITUDINAL JOINT DETAILS.
    - EXPANSION JOINT DETAILS.
  - c. SEE HIGHWAY STANDARD 606001 FOR:
    - TIE BAR DETAILS ALONG THE EXISTING CURB.
    - d. PORTLAND CEMENT CONCRETE SHALL HAVE TYPE A FINISH.
- ⑭ PROPOSED MODIFIED SOIL
- ⑮ PROPOSED AGGREGATE BASE COURSE, TYPE A, 4"
- ⑯ PROPOSED PAVEMENT MARKING LINE - 4" (SOLID WHITE)
- ⑰ LONGITUDINAL SAWED JOINT, KEY JOINT, OR CONSTRUCTION JOINT (SEE PAVEMENT JOINT LAYOUT SHEETS)

REVISIONS	
NAME	DATE

ILLINOIS DEPARTMENT OF TRANSPORTATION  
EXISTING/PROPOSED  
TYPICAL SECTIONS  
LEGION STREET  
SECTION 04-00042-01-PV  
MONROE COUNTY

PLOT DATE = 4/16/2008  
FILE NAME = #FILE#  
PLOT SCALE = #SCALE#  
USER NAME = #USER#