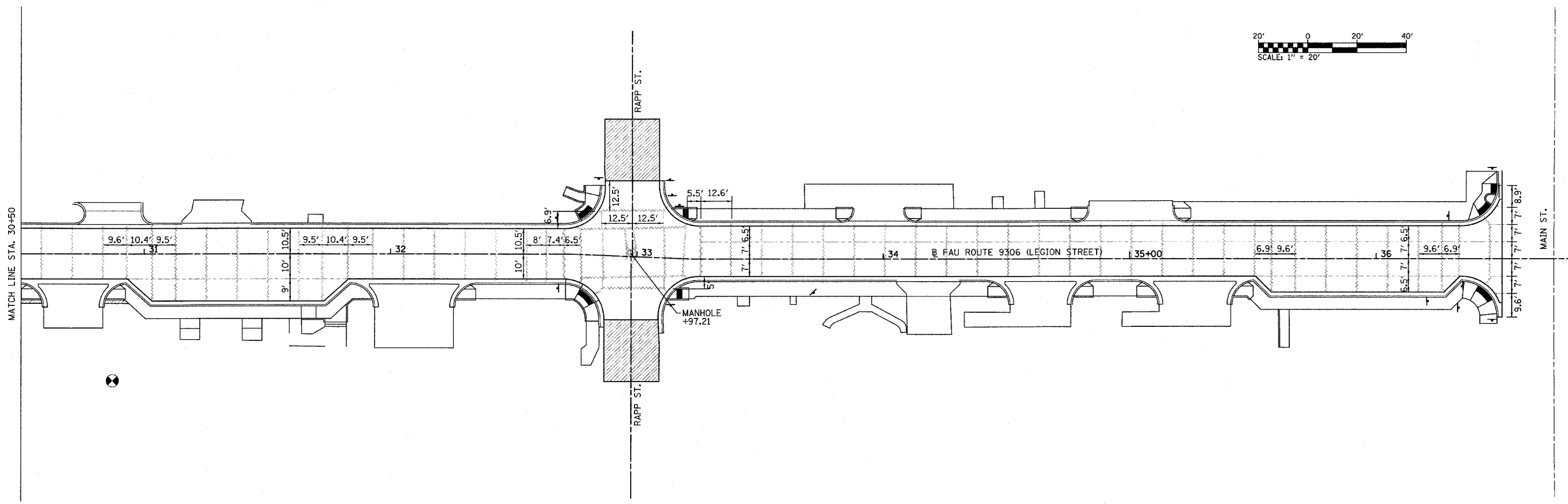
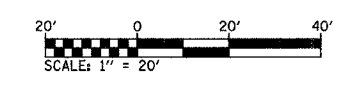
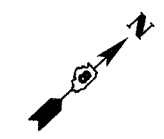


F.A.U. RTE.	SECTION	COUNTY	TOTAL SHEETS	SHEET NO.
9306	04-00042-01-PV	MONROE	42	23
STA. 30+50.00		TO STA. 36+51.06		
PAVEMENT JOINT LAYOUT				
CONTRACT NO. 97340				
FEDERAL AID PROJECT				



PLOT DATE = 4/15/2008
 FILE NAME = #FILE#
 PLOT SCALE = #SCALE#
 USER NAME = #USER#

REVISIONS	
NAME	DATE

LEGION STREET
 PAVEMENT JOINT
 LAYOUT