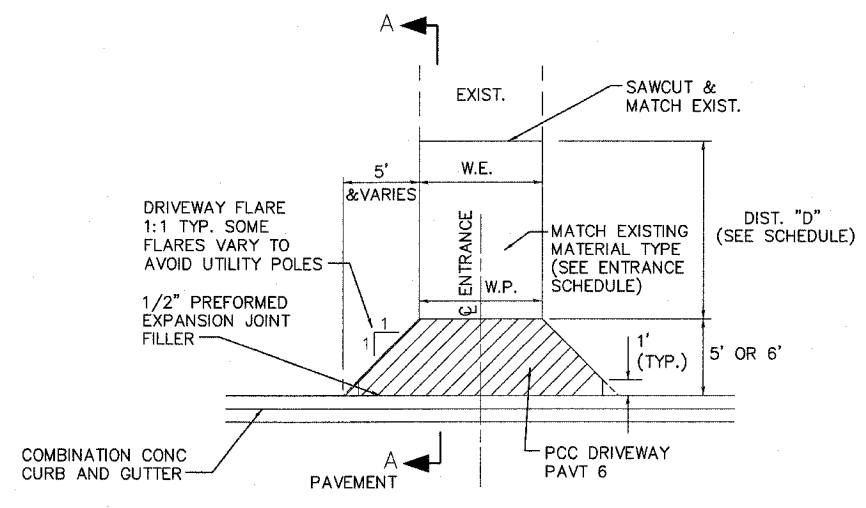
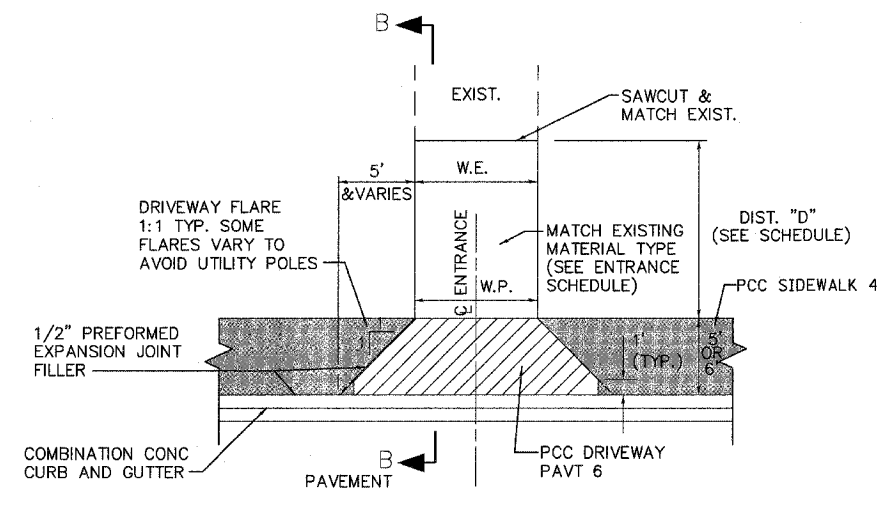


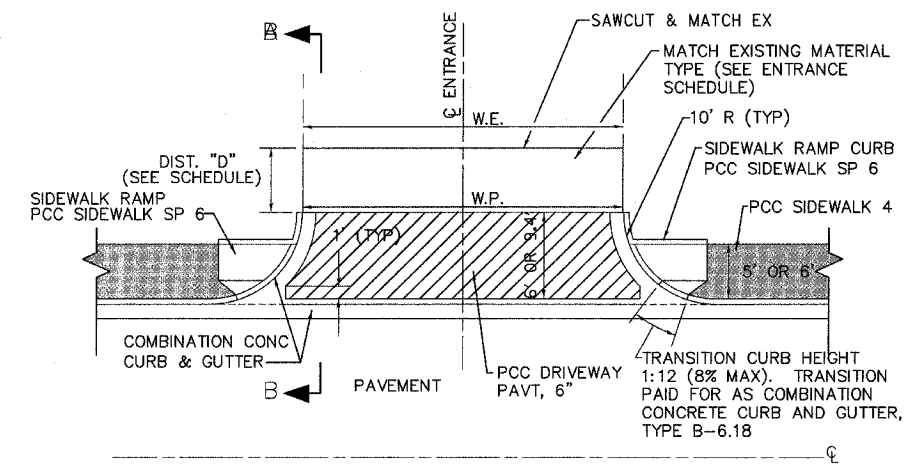
F.A.J. RTE.	SECTION	COUNTY	TOTAL SHEETS	SHEET NO.
9306	04-00042-01-PV	MONROE	42	29
CONSTRUCTION DETAILS				
CONTRACT NO. 97340				
FEDERAL AID PROJECT				



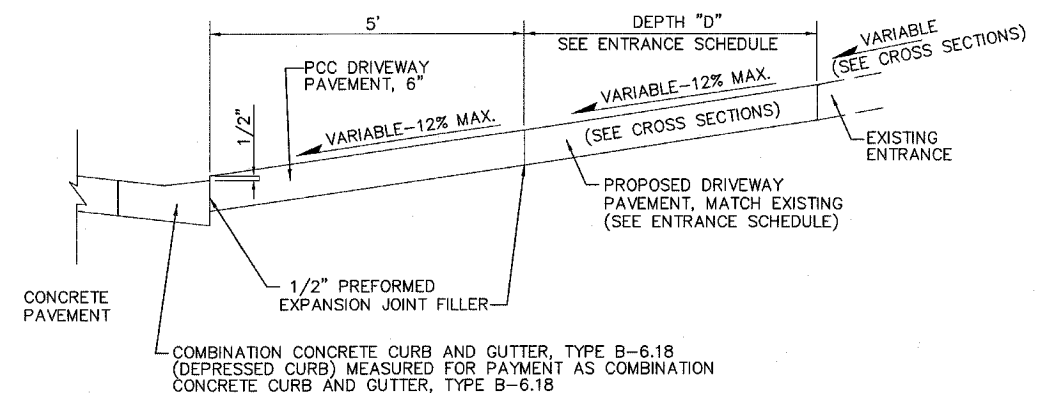
TYPICAL PRIVATE ENTRANCE DETAIL
WITHOUT SIDEWALK
(NOT TO SCALE)



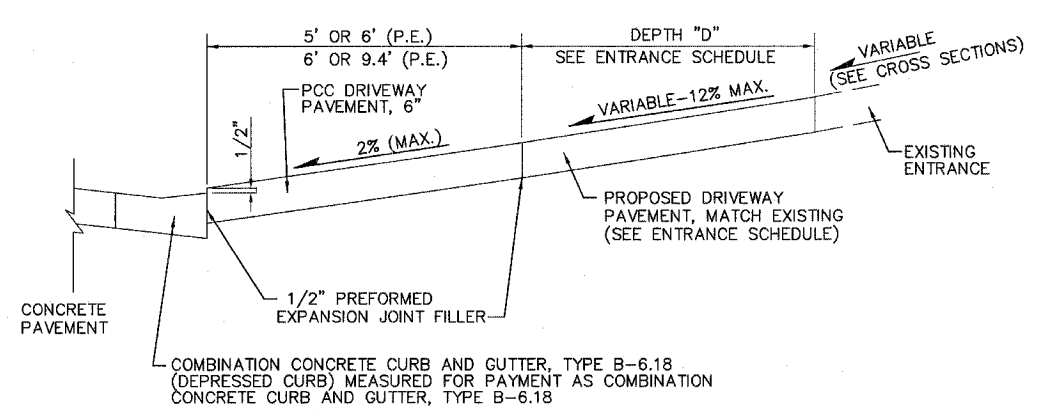
TYPICAL PRIVATE ENTRANCE DETAIL
WITH SIDEWALK
(NOT TO SCALE)



TYPICAL COMMERCIAL ENTRANCE DETAIL
WITH SIDEWALK
(NOT TO SCALE)



SECTION A-A
(NOT TO SCALE)



SECTION B-B
(NOT TO SCALE)

PLOT DATE = 4/16/2008
FILE NAME = #FILE#
PLOT SCALE = #SCALE#
USER NAME = #USER#