

LEGEND

- (A) EXISTING OIL & CHIP PAVEMENT
- (B) PROPOSED HOT MIX ASPHALT SURFACE, MIX "D", N70, 2"
- (C) PROPOSED HOT MIX ASPHALT BINDER, I-19.0, N70, 8.25"
- (D) PROPOSED LIME MODIFIED SOILS, 12"
- (E) PROPOSED COMBINATION CONCRETE CURB & GUTTER, TYPE B-6.24
- (F) PROPOSED HOT MIX ASPHALT SHOULDERS, 8"
- (G) PROPOSED AGGREGATE SHOULDERS, TYPE B, 6"

FED. ROUTE	IDOT SECTION	COUNTY
9380	02-00016-01-PV	ST. CLAIR
FEDERAL AID PROJECT		ILLINOIS
IDOT JOB NO. C-98-318-08		
IDOT CONTRACT NO. 97345		

THOUVENOT, WADE & MOERCHEN, INC.
ENGINEERS • SURVEYORS • PLANNERS



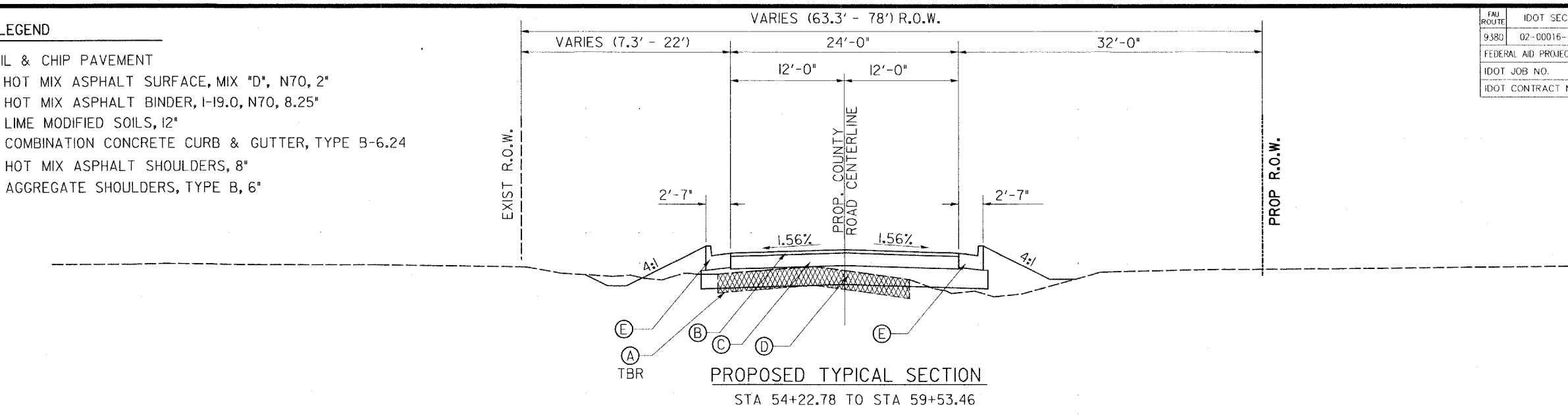
- CORPORATE OFFICE**
4940 OLD COLLINSVILLE RD.
SWANSEA, ILLINOIS 62226
TEL (618) 624-4488
FAX (618) 624-6688
corp@twm-inc.com
- EDWARDSVILLE OFFICE**
1015B CENTURY DRIVE
EDWARDSVILLE, ILLINOIS 62025
TEL (618) 656-4040
FAX (618) 656-4343
edwardsville@twm-inc.com
- ST. LOUIS OFFICE**
1001 CRAIG ROAD, SUITE 260
ST. LOUIS, MISSOURI 63146
TEL (314) 236-5052
FAX (314) 872-2194
stlouis@twm-inc.com
- WATERLOO OFFICE**
113 SOUTH MAIN STREET
WATERLOO, ILLINOIS 62298
TEL (618) 939-5050
FAX (618) 939-3938
waterloo@twm-inc.com

PROFESSIONAL REGISTRATIONS	LICENSE NO.
ILLINOIS PROFESSIONAL DESIGN FIRM	184-001220
PROFESSIONAL ENGINEERING CORP.	62-035370
PROFESSIONAL STRUCTURAL ENGR. CORP.	81-005202
ILLINOIS PROF. LAND SURVEYING CORP.	048-000029
MISSOURI PROFESSIONAL ENGR. CORP.	NC 001528
MISSOURI LAND SURVEYING CORP.	NC 000346

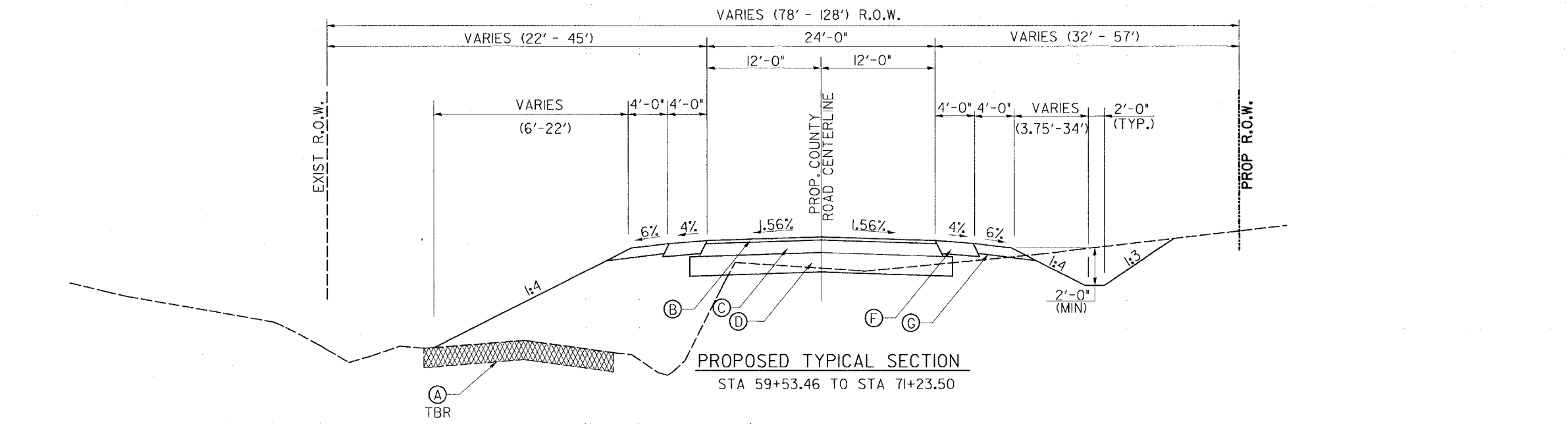
SEAL

Signature: _____
Signature Date: _____
Expiration Date: _____

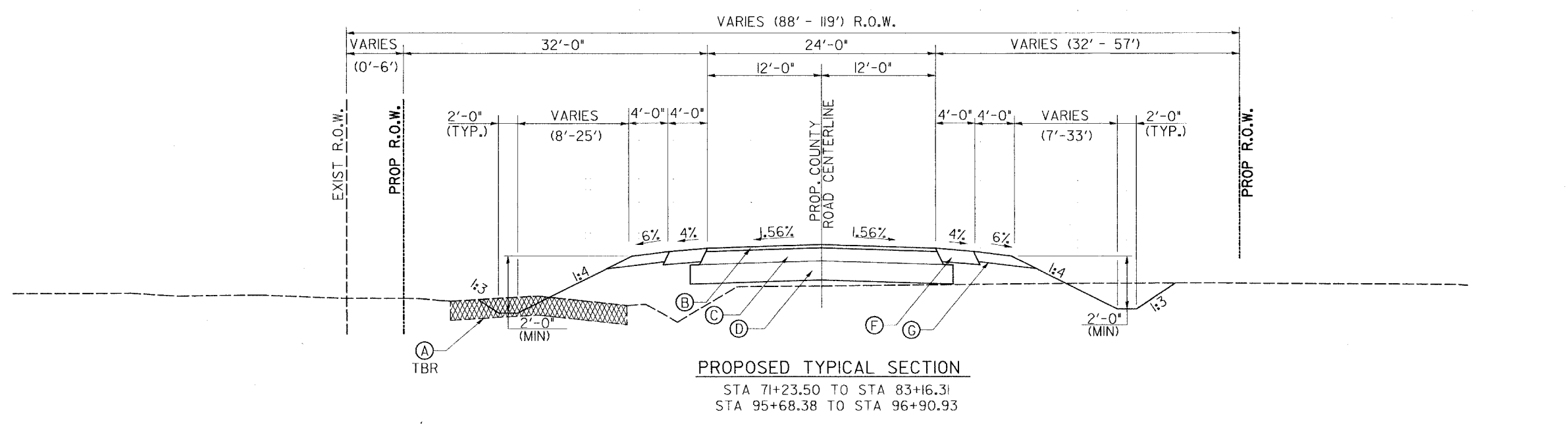
STATEMENT OF RESPONSIBILITY
I hereby confirm that the document herein to be authenticated by my seal is restricted to this sheet, and I hereby disclaim any responsibility for all other drawings, specifications, estimates, reports or other documents or instruments relating to or intended to be utilized for any other part of the architectural, engineering or survey project.



PROPOSED TYPICAL SECTION
STA 54+22.78 TO STA 59+53.46



PROPOSED TYPICAL SECTION
STA 59+53.46 TO STA 71+23.50



PROPOSED TYPICAL SECTION
STA 71+23.50 TO STA 83+16.31
STA 95+68.38 TO STA 96+90.93

TITLE: PROPOSED BASE (HOT-MIX ASPHALT) TYPICAL SECTIONS

PROJECT: COUNTY ROAD RECONSTRUCTION - PHASE II CITY OF MASCOUATAH ST. CLAIR COUNTY, ILLINOIS

REV.	DATE	DESCRIPTION
△		
△		
△		

DRAWN BY:	MLS	SHEET
DESIGNED BY:	MLS	7
CHECKED BY:	SJK	OF 113 SHEETS
APPROVED BY:		PROJECT DESCRIPTION
PROJECT NUMBER:	T20-010154	COUNTY ROAD REALIGNMENT
<input checked="" type="checkbox"/> ISSUED FOR REVIEW		<input type="checkbox"/> ISSUED FOR BIDDING
<input type="checkbox"/> ISSUED FOR CONSTR.		<input type="checkbox"/> RECORD DRAWING