

LEGEND

- (A) EXISTING OIL & CHIP PAVEMENT
- (B) PROPOSED HOT MIX ASPHALT SURFACE, MIX "D", N70, 2"
- (C) PROPOSED HOT MIX ASPHALT BINDER, I-19.0, N70, 8.25"
- (D) PROPOSED LIME MODIFIED SOILS, 12"
- (E) PROPOSED COMBINATION CONCRETE CURB & GUTTER, TYPE B-6.24
- (F) PROPOSED HOT MIX ASPHALT SHOULDERS, 8"
- (G) PROPOSED AGGREGATE SHOULDERS, TYPE B, 6"
- (H) PROPOSED CONCRETE GUTTER, TYPE A

FAU ROUTE	IDOT SECTION	COUNTY
9380	02-00016-01-PV	ST. CLAIR
FEDERAL AID PROJECT	ILLINOIS	
IDOT JOB NO.	C-98-318-08	
IDOT CONTRACT NO.	97345	

THOUVENOT, WADE & MOERCHEN, INC.
ENGINEERS ♦ SURVEYORS ♦ PLANNERS

TWM

CORPORATE OFFICE
4940 OLD COLLINSVILLE RD.
SWANSEA, ILLINOIS 62226
TEL (618) 624-4488
FAX (618) 624-6688
corp@twm-inc.com

EDWARDSVILLE OFFICE
1015B CENTURY DRIVE
EDWARDSVILLE, ILLINOIS 62025
TEL (618) 656-4040
FAX (618) 656-4343
edwardsville@twm-inc.com

ST. LOUIS OFFICE
1001 CRAIG ROAD, SUITE 260
ST. LOUIS, MISSOURI 63146
TEL (314) 236-5052
FAX (314) 872-2194
stlouis@twm-inc.com

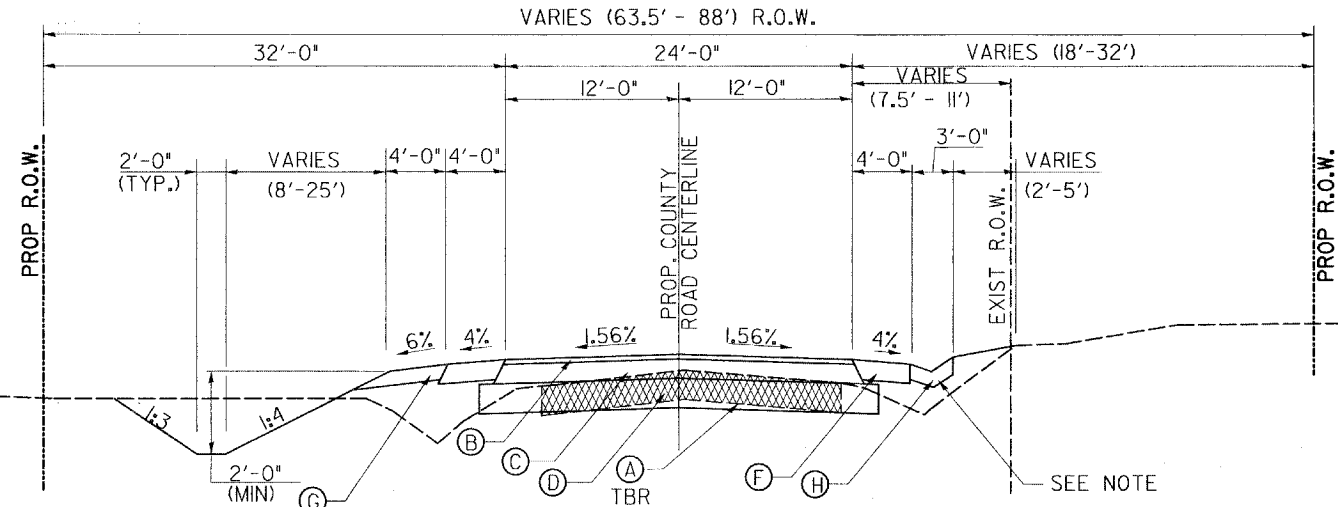
WATERLOO OFFICE
113 SOUTH MAIN STREET
WATERLOO, ILLINOIS 62298
TEL (618) 939-5050
FAX (618) 939-3938
waterloo@twm-inc.com

PROFESSIONAL REGISTRATIONS	LICENSE NO.
ILLINOIS PROFESSIONAL DESIGN FIRM	184-001220
PROFESSIONAL ENGINEERING CORP.	62-035370
PROFESSIONAL STRUCTURAL ENGR. CORP.	81-005202
ILLINOIS PROF. LAND SURVEYING CORP.	048-000029
MISSOURI PROFESSIONAL ENGR. CORP.	NC 001528
MISSOURI LAND SURVEYING CORP.	NC 000346

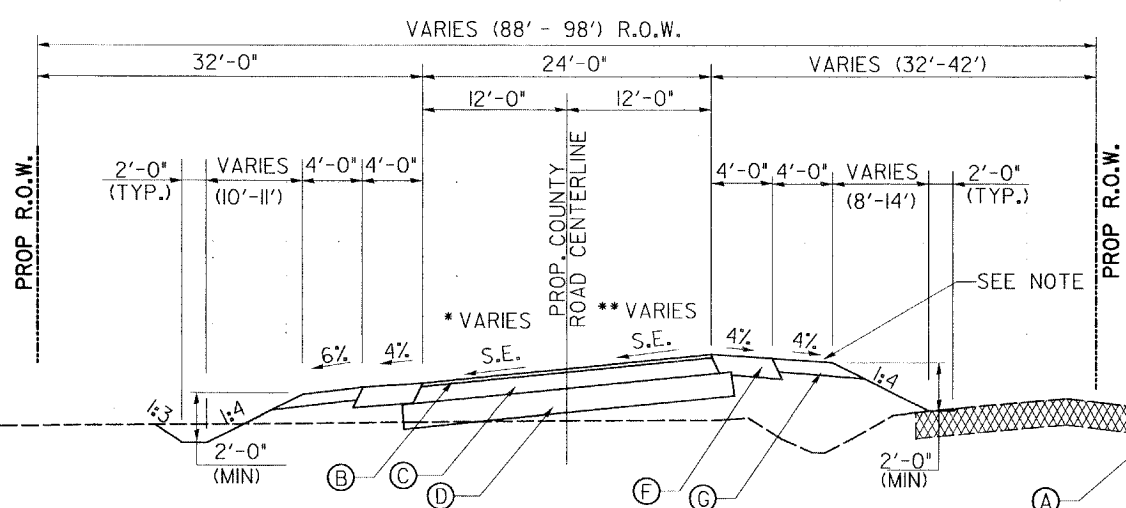
SEAL

Signature: _____
Signature Date: _____
Expiration Date: _____

STATEMENT OF RESPONSIBILITY
I hereby confirm that the document herein to be authenticated by my seal is restricted to this sheet, and I hereby disclaim any responsibility for all other drawings, specifications, estimates, reports or other documents or instruments relating to or extended to be utilized for any other part of the architectural, engineering or survey project.



PROPOSED TYPICAL SECTION
STA 83+16.31 TO STA 87+28.62

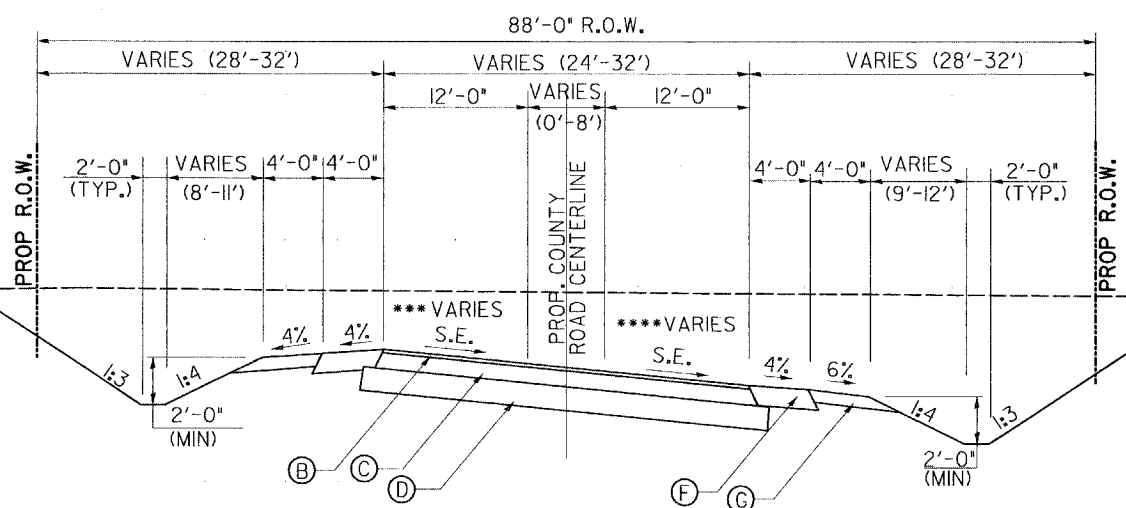


PROPOSED TYPICAL SECTION
STA 87+28.62 TO STA 95+68.38

*** VARIES:**
-1.56% TO -4.0% STA 88+33.92 TO STA 89+16.27
FULL S.E. (-4.0%) STA 89+16.27 TO STA 93+80.73
-4.0% TO -1.56% STA 93+80.73 TO STA 94+63.08

**** VARIES:**
-1.56% TO +4.0% STA 87+28.62 TO STA 89+16.27
FULL S.E. (+4.0%) STA 89+16.27 TO STA 93+80.73
+4.0% TO -1.56% STA 93+80.73 TO STA 95+68.38

NOTE:
TYPE A GUTTER RT
STA. 83+16.31 TO STA. 90+00.00



PROPOSED TYPICAL SECTION
STA 96+90.93 TO STA 105+12.57

***** VARIES:**
-1.56% TO +4.0% STA 96+90.93 TO STA 98+78.58
FULL S.E. (+4.0%) STA 98+78.58 TO STA 103+24.92
+4.0% TO -1.56% STA 103+24.92 TO STA 105+12.57

****** VARIES:**
-1.56% TO +4.0% STA 97+96.23 TO STA 98+78.58
FULL S.E. (+4.0%) STA 98+78.58 TO STA 103+24.92
+4.0% TO -1.56% STA 103+24.92 TO STA 104+07.27

PROPOSED BASE (HOT-MIX ASPHALT) TYPICAL SECTIONS

COUNTY ROAD RECONSTRUCTION - PHASE II
CITY OF MASCOUATAH
ST. CLAIR COUNTY, ILLINOIS

REV.	DATE	DESCRIPTION

DRAWN BY:	MLS	SHEET
DESIGNED BY:	MLS	8
CHECKED BY:	SJK	OF 113 SHEETS
APPROVED BY:		PROJECT DESCRIPTION
PROJECT NUMBER:	20-010154	COUNTY ROAD REALIGNMENT
<input checked="" type="checkbox"/> ISSUED FOR REVIEW	<input type="checkbox"/> ISSUED FOR BIDDING	<input type="checkbox"/> RECORD DRAWING