

**LEGEND**

- (A) EXISTING OIL & CHIP PAVEMENT
- (B) PROPOSED HOT MIX ASPHALT SURFACE, MIX "D", N70, 2"
- (C) PROPOSED HOT MIX ASPHALT BINDER, 1-19.0, N70, 8.25"
- (D) PROPOSED LIME MODIFIED SOILS, 12"
- (E) PROPOSED COMBINATION CONCRETE CURB & GUTTER, TYPE B-6.24
- (F) PROPOSED HOT MIX ASPHALT SHOULDERS, 8"
- (G) PROPOSED AGGREGATE SHOULDERS, TYPE B, 6"

HOT MIX ASPHALT - CONTROL TABLE				
MIXTURE USE	SURFACE	BINDER	INCIDENTAL SURFACE	SHOULDERS
AC/PG	PG 64-22	PG 64-22	PG 64-22	PG 58-22
RAP % (MAX)	10%	15%	10%	30%
DESIGN AIR VOIDS	4.0% @ Ndes = 70	4.0% @ Ndes = 70	4.0% @ Ndes = 70	2.0% @ Ndes = 30
MIX COMPOSITION (GRADATION MIXTURE)	IL 12.5	IL 19.0		
FRICITION AGG	MIXTURE D	MIXTURE B	MIXTURE D	HMA AGG. MIX

PLAN QUANTITIES FOR HOT-MIX ASPHALT SURFACE COURSE ITEMS ARE CALCULATED USING A UNIT WEIGHT OF 122 LB/SQ YD/IN

TAU ROUTE	IDOT SECTION	COUNTY
9380	02-00016-01-PV	ST. CLAIR
FEDERAL AID PROJECT	ILLINOIS	
IDOT JOB NO.	C-98-318-08	
IDOT CONTRACT NO.	97345	

**THOUVENOT, WADE & MOERCHEN, INC.**  
ENGINEERS ♦ SURVEYORS ♦ PLANNERS



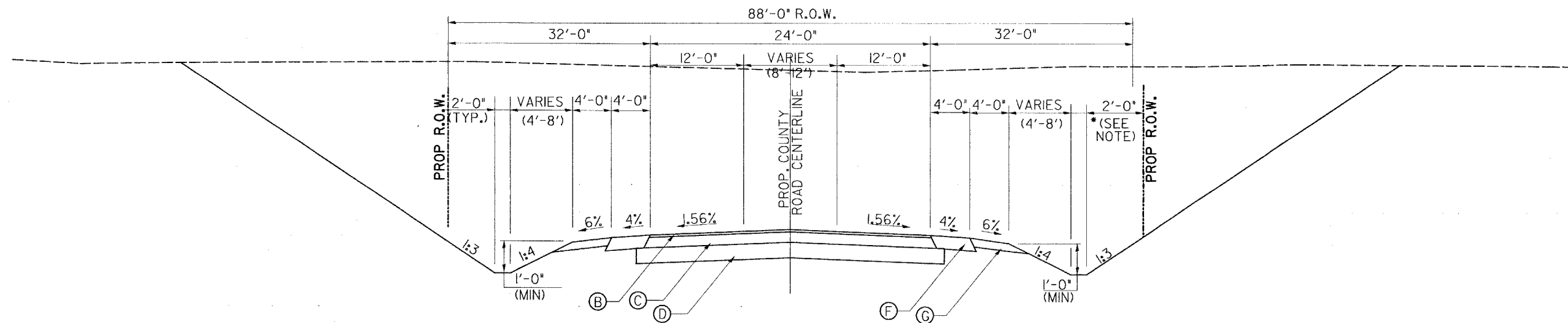
- CORPORATE OFFICE**  
 4940 OLD COLLINSVILLE RD.  
 SWANSEA, ILLINOIS 62226  
 TEL (618) 624-4488  
 FAX (618) 624-6688  
 corp@twm-inc.com
- EDWARDSVILLE OFFICE**  
 1015B CENTURY DRIVE  
 EDWARDSVILLE, ILLINOIS 62025  
 TEL (618) 656-4040  
 FAX (618) 656-4343  
 edwardsville@twm-inc.com
- ST. LOUIS OFFICE**  
 1001 CRAIG ROAD, SUITE 260  
 ST. LOUIS, MISSOURI 63146  
 TEL (314) 236-5052  
 FAX (314) 872-2194  
 stlouis@twm-inc.com
- WATERLOO OFFICE**  
 113 SOUTH MAIN STREET  
 WATERLOO, ILLINOIS 62298  
 TEL (618) 939-5050  
 FAX (618) 939-3938  
 waterloo@twm-inc.com

PROFESSIONAL REGISTRATIONS	LICENSE NO.
ILLINOIS PROFESSIONAL DESIGN FIRM	184-001220
PROFESSIONAL ENGINEERING CORP.	62-035370
PROFESSIONAL STRUCTURAL ENGR. CORP.	81-005202
ILLINOIS PROF. LAND SURVEYING CORP.	048-000029
MISSOURI PROFESSIONAL ENGR. CORP.	NC 001528
MISSOURI LAND SURVEYING CORP.	NC 000346

SEAL

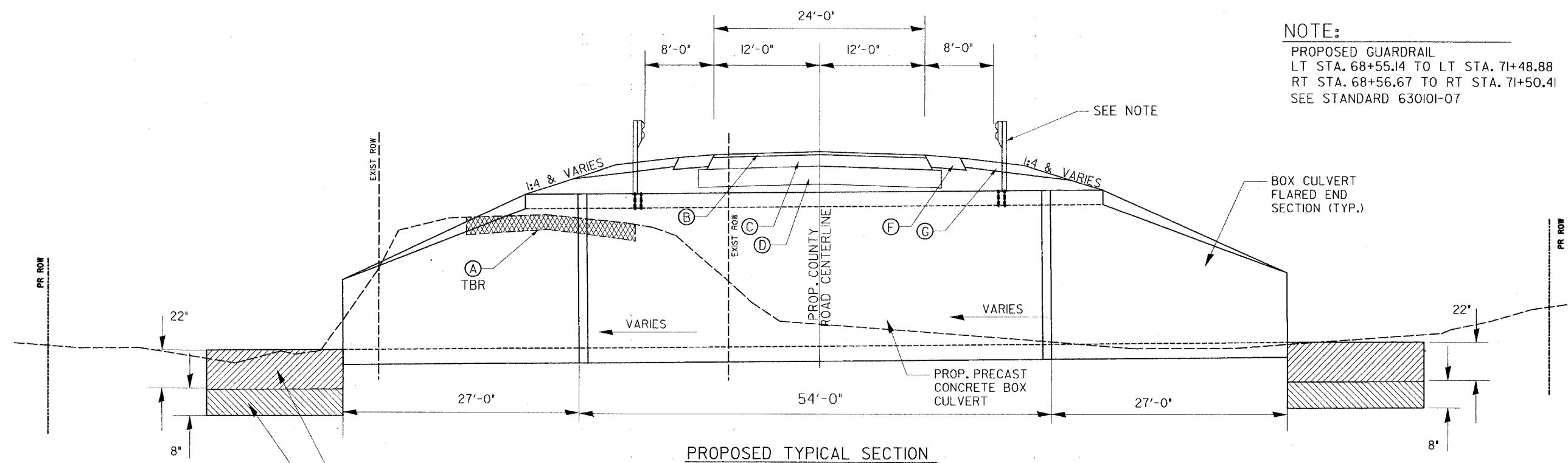
Signature: \_\_\_\_\_  
 Signature Date: \_\_\_\_\_  
 Expiration Date: \_\_\_\_\_

**STATEMENT OF RESPONSIBILITY**  
 I hereby confirm that the document herein to be authenticated by my seal is restricted to this sheet, and I hereby disclaim any responsibility for all other drawings, specifications, estimates, reports or other documents or instruments relating to or intended to be utilized for any other part of the architectural, engineering or survey project.



**PROPOSED TYPICAL SECTION**  
 STA 105+12.57 TO STA 109+04.39

\* NOTE: STA. 105+50.00 LT/RT TO STA. 109+04.39 LT/RT  
 DITCH WIDTH = 4'-0"



**PROPOSED TYPICAL SECTION**  
 STA. 70+06.55  
 (SIMILAR STA. 69+88.47 & STA. 70+24.63)

**NOTE:**  
 PROPOSED GUARDRAIL  
 LT STA. 68+55.14 TO LT STA. 71+48.88  
 RT STA. 68+56.67 TO RT STA. 71+50.41  
 SEE STANDARD 630101-07

**TITLE:** PROPOSED BASE (HOT-MIX ASPHALT) TYPICAL SECTIONS

**PROJECT:** COUNTY ROAD RECONSTRUCTION - PHASE II CITY OF MASCOUTAH ST. CLAIR COUNTY, ILLINOIS

REV.	DATE	DESCRIPTION
△		
△		
△		

DRAWN BY:	MLS	SHEET
DESIGNED BY:	MLS	<b>9</b>
CHECKED BY:	SJK	OF 113 SHEETS
APPROVED BY:		PROJECT DESCRIPTION
PROJECT NUMBER	720-010154	COUNTY ROAD REALIGNMENT
<input checked="" type="checkbox"/> ISSUED FOR REVIEW <input type="checkbox"/> ISSUED FOR BIDDING <input type="checkbox"/> ISSUED FOR CONSTR. <input type="checkbox"/> RECORD DRAWING		