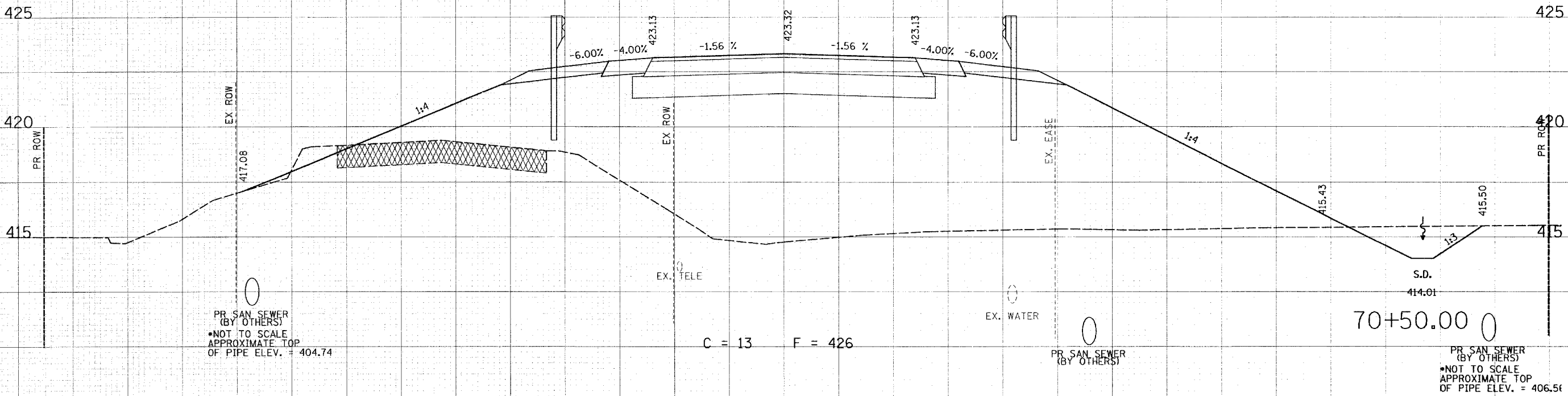
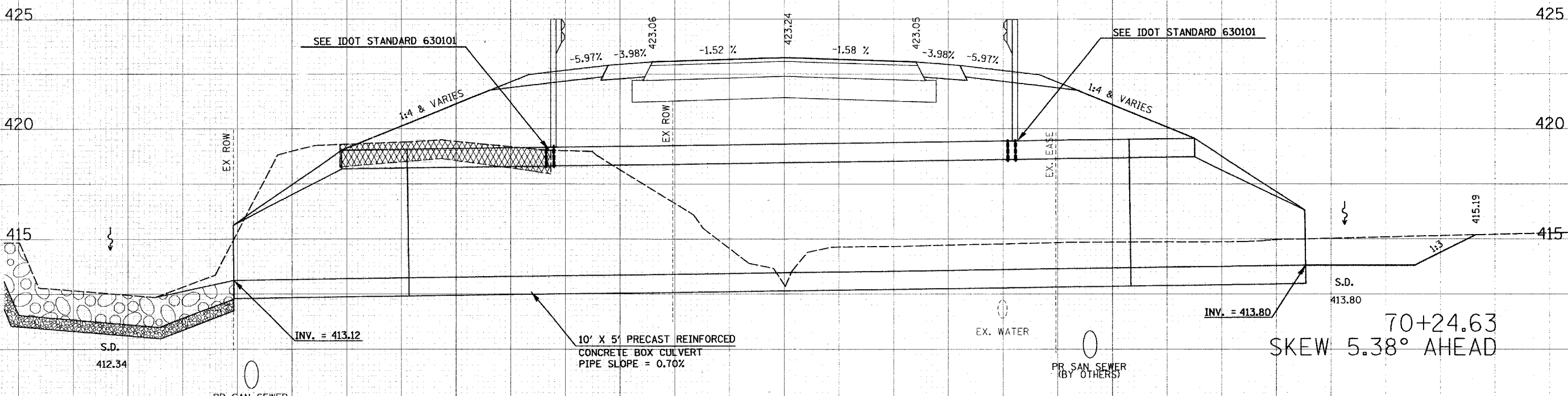


70 65 60 55 50 45 40 35 30 25 20 15 10 5 0 5 10 15 20 25 30 35 40 45 50 55 60 65 70



C = 13 F = 426



C = 29 F = 439

70 65 60 55 50 45 40 35 30 25 20 15 10 5 0 5 10 15 20 25 30 35 40 45 50 55 60 65 70

**THOUVENOT, WADE & MOERCHEN, INC.**  
ENGINEERS • SURVEYORS • PLANNERS



**CORPORATE OFFICE**  
4940 OLD COLLINSVILLE RD.  
SWANSEA, ILLINOIS 62226  
TEL (618) 624-4488  
FAX (618) 624-6688  
corp@twm-inc.com

**EDWARDSVILLE OFFICE**  
1015B CENTURY DRIVE  
EDWARDSVILLE, ILLINOIS 62025  
TEL (618) 656-4040  
FAX (618) 656-4343  
edwardsville@twm-inc.com

**ST. LOUIS OFFICE**  
1001 CRAIG ROAD, SUITE 260  
ST. LOUIS, MISSOURI 63146  
TEL (314) 236-5052  
FAX (314) 872-2194  
stlouis@twm-inc.com

**WATERLOO OFFICE**  
113 SOUTH MAIN STREET  
WATERLOO, ILLINOIS 62298  
TEL (618) 939-5050  
FAX (618) 939-3938  
waterloo@twm-inc.com

**PROFESSIONAL REGISTRATIONS**

ILLINOIS PROFESSIONAL DESIGN FIRM	184-001220
PROFESSIONAL ENGINEERING CORP.	62-035370
PROFESSIONAL STRUCTURAL ENGR. CORP.	81-005202
ILLINOIS PROF. LAND SURVEYING CORP.	048-000029
MISSOURI PROFESSIONAL ENGR. CORP.	MC 001528
MISSOURI LAND SURVEYING CORP.	MC 000346

SEAL

Renewal Date: \_\_\_\_\_  
Signature Date: \_\_\_\_\_

I hereby confirm that the document herein to be authenticated by my seal is restricted to this sheet, and I hereby disclaim any responsibility for all other drawings, specifications, estimates, reports or other documents or instruments relating to or intended to be utilized for any other part of the architectural, engineering or survey project.

TITLE: COUNTY ROAD CROSS SECTIONS

PROJECT: COUNTY ROAD RECONSTRUCTION - PHASE II CITY OF MASCOUTAH ST. CLAIR COUNTY, ILLINOIS

REV.	DATE	DESCRIPTION

DRAWN BY	JWS	SHEET	72
DESIGNED BY	JWS	OF 113 SHEETS	
CHECKED BY	SJK	PROJECT DESCRIPTION	COUNTY ROAD REALIGNMENT
APPROVED BY		PROJECT NUMBER	120-010154

ISSUED FOR REVIEW     ISSUED FOR BIDDING  
 ISSUED FOR CONSTR.     RECORD DRAWING