

DETAILS OF INLET SPECIAL NO. 1

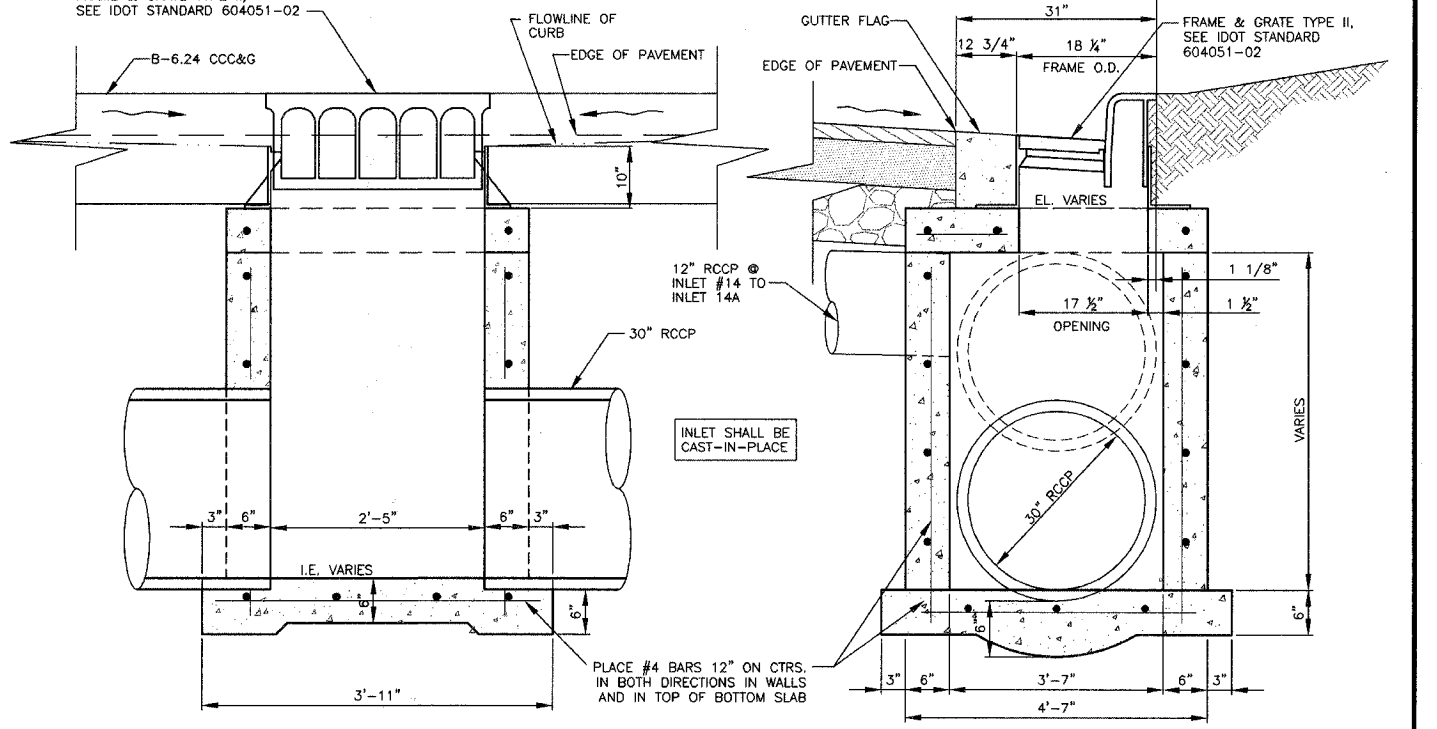
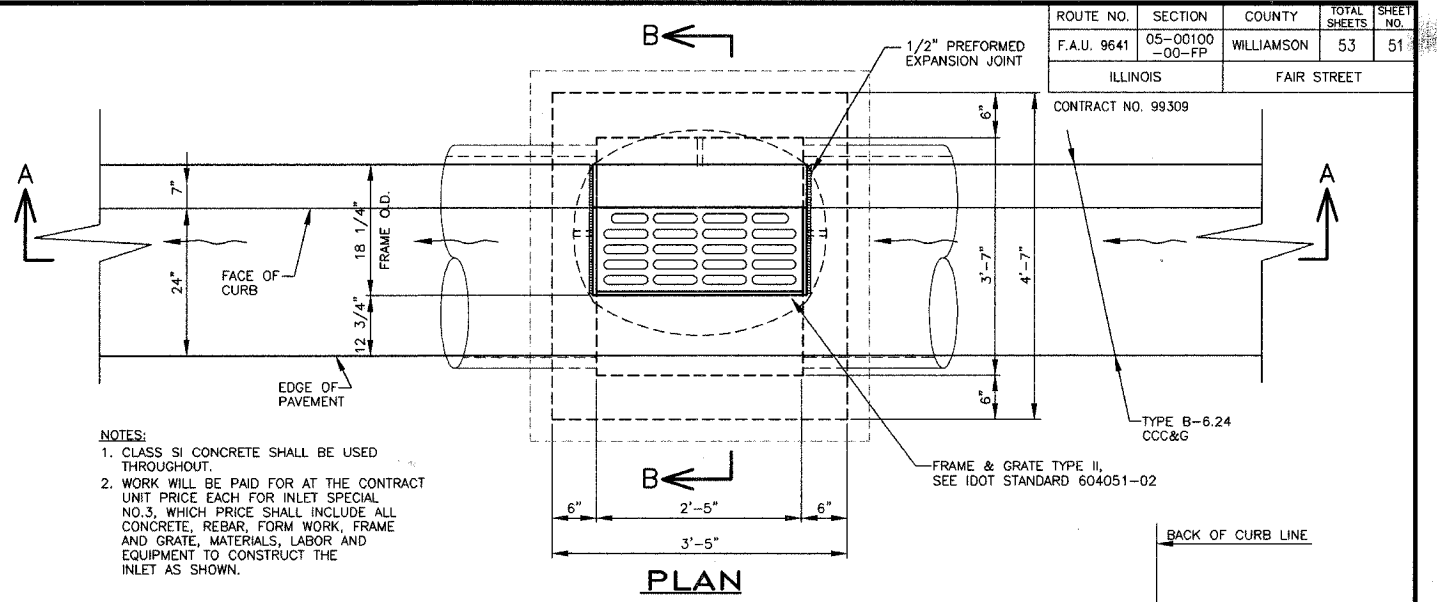
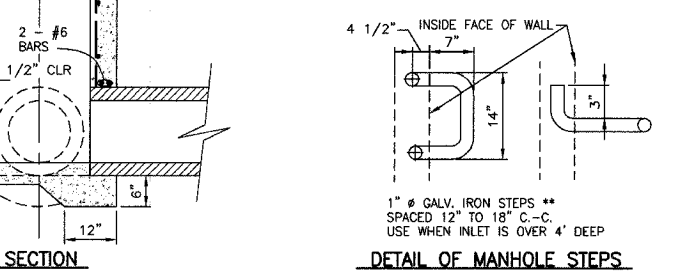
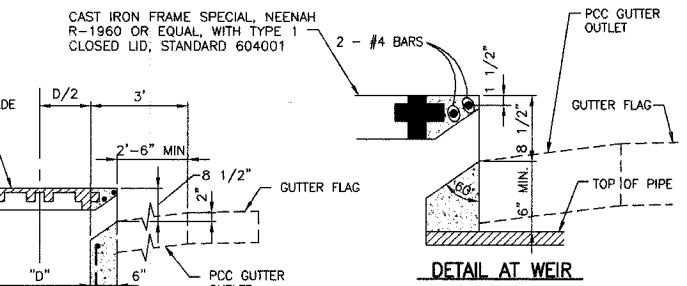
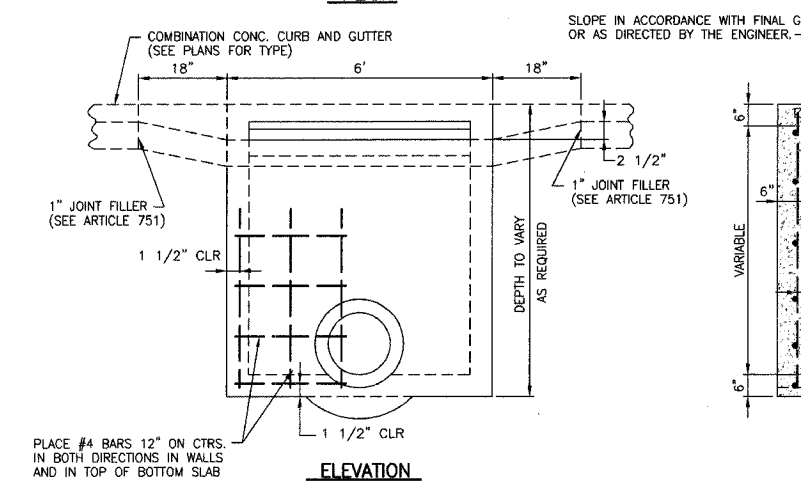
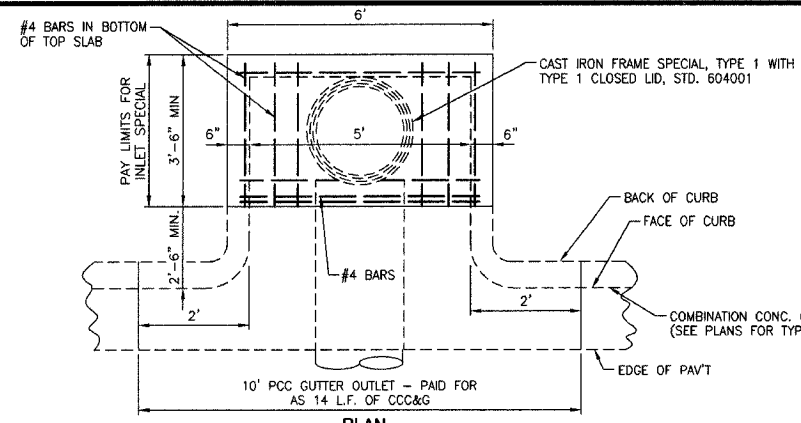
N.T.S.

NOTES:
 CLASS SI CONCRETE SHALL BE USED THROUGHOUT. SET FACE OF INLET 30" BEHIND FACE OF CURB. DEPRESS GUTTER FLOWLINE AT INLET 2 1/2" BELOW NORMAL GUTTER FLOWLINE. CONSTRUCT TRANSITION IN FLOWLINE IN 10 FEET EACH SIDE OF INLET. PIPES SHALL BE CONNECTED TO INLET AS SHOWN ON STORM SEWER LAYOUT.

INLETS WILL BE PAID FOR AT THE CONTRACT UNIT PRICE EACH FOR INLET, SPECIAL, NO. 1 WHICH PRICE SHALL INCLUDE THE CAST IRON FRAME, SPECIAL, TYPE 1 WITH TYPE 1 CLOSED LID, THE REINFORCEMENT BARS, METAL STEPS, AND JOINT FILLER.

**THE GALV. IRON STEPS AS DETAILED HEREON ARE TYPICAL. STEPS OF OTHER DESIGN AND MATERIAL THAT WILL CONFORM TO THE MINIMUM REQUIREMENTS OF THE STEPS SHOWN MAY BE USED WHEN APPROVED BY THE ENGINEER.

DESIGN	PIPE DIAM.	"D"
A	18" OR LESS	2'-6"
B	21" & 24"	3'-0"
C	27" & 30"	3'-7"
D	33" & 36"	4'-2"
E	42"	4'-9"
F	48"	5'-6"
G	54"	6'-1"



NOTES:
 1. CLASS SI CONCRETE SHALL BE USED THROUGHOUT.
 2. WORK WILL BE PAID FOR AT THE CONTRACT UNIT PRICE EACH FOR INLET SPECIAL NO. 3, WHICH PRICE SHALL INCLUDE ALL CONCRETE, REBAR, FORM WORK, FRAME AND GRATE, MATERIALS, LABOR AND EQUIPMENT TO CONSTRUCT THE INLET AS SHOWN.

DETAILS OF INLET SPECIAL NO. 2

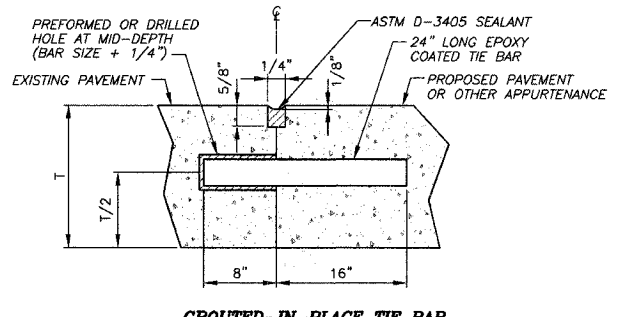
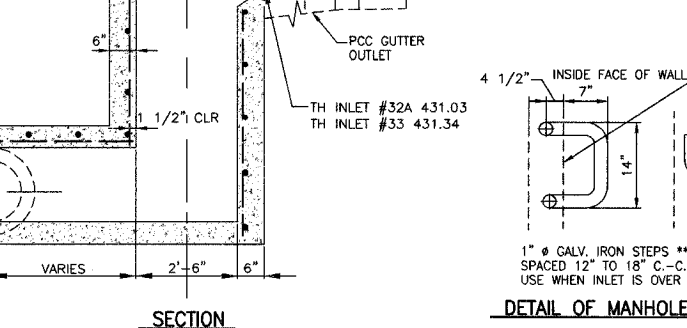
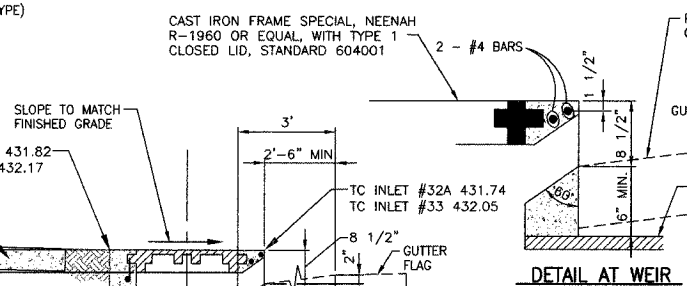
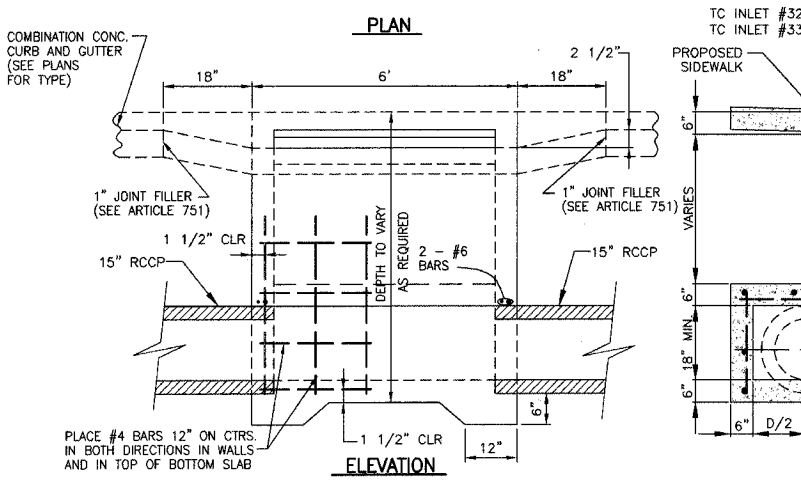
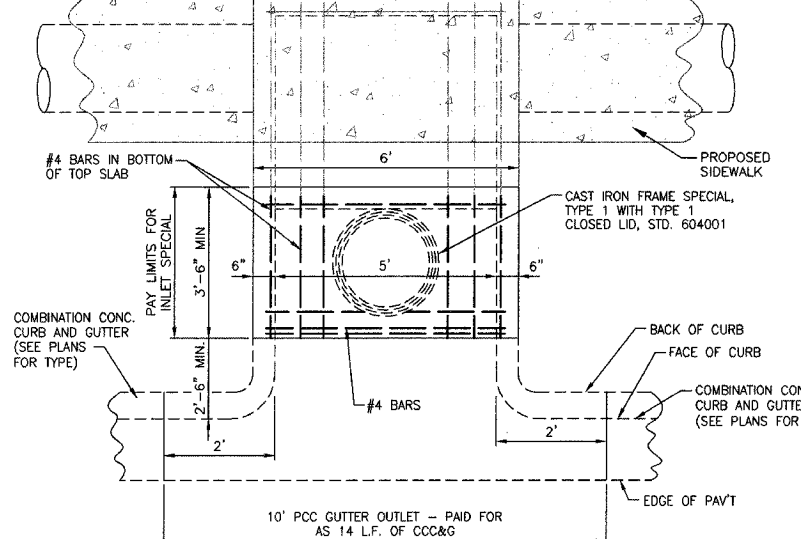
N.T.S.

NOTES:
 CLASS SI CONCRETE SHALL BE USED THROUGHOUT. SET FACE OF INLET 30" BEHIND FACE OF CURB. DEPRESS GUTTER FLOWLINE AT INLET 2 1/2" BELOW NORMAL GUTTER FLOWLINE. CONSTRUCT TRANSITION IN FLOWLINE IN 10 FEET EACH SIDE OF INLET. PIPES SHALL BE CONNECTED TO INLET AS SHOWN ON STORM SEWER LAYOUT.

INLETS WILL BE PAID FOR AT THE CONTRACT UNIT PRICE EACH FOR INLET, SPECIAL, NO. 2 WHICH PRICE SHALL INCLUDE THE CAST IRON FRAME, SPECIAL, TYPE 1 WITH TYPE 1 CLOSED LID, THE REINFORCEMENT BARS, METAL STEPS, AND JOINT FILLER.

**THE GALV. IRON STEPS AS DETAILED HEREON ARE TYPICAL. STEPS OF OTHER DESIGN AND MATERIAL THAT WILL CONFORM TO THE MINIMUM REQUIREMENTS OF THE STEPS SHOWN MAY BE USED WHEN APPROVED BY THE ENGINEER.

DESIGN	PIPE DIAM.	"D"
A	18" OR LESS	2'-6"
B	21" & 24"	3'-0"
C	27" & 30"	3'-7"
D	33" & 36"	4'-2"
E	42"	4'-9"
F	48"	5'-6"
G	54"	6'-1"



TO BE CONSTRUCTED IN ACCORDANCE WITH ARTICLE 442.06(a)(2) OF THE STANDARD SPECIFICATIONS.

STATE OF ILLINOIS PROFESSIONAL DESIGN FIRM LICENSE NO. 184-004515

© 2006 ALL RIGHTS RESERVED

CLARIDA & ZIEGLER ENGINEERING CO.
 308 South Court St, P.O. Box 937
 Marion, Illinois 62959
 Phone - (618)993-6411, Fax - (618)993-6750

MISCELLANEOUS DETAILS
 FAIR STREET WIDENING
 MARION, ILLINOIS

Date: 2/26/08 DR. By: TDE CK'D By: HGC
 Scale: NONE Job No. 05142 Sheet No. 51 of 53