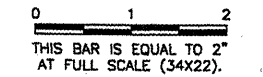


REVISIONS		
NUMBER	BY	DATE

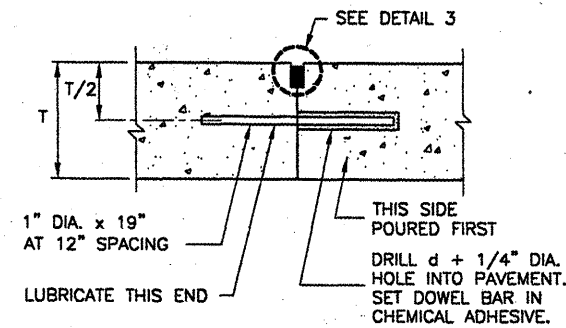
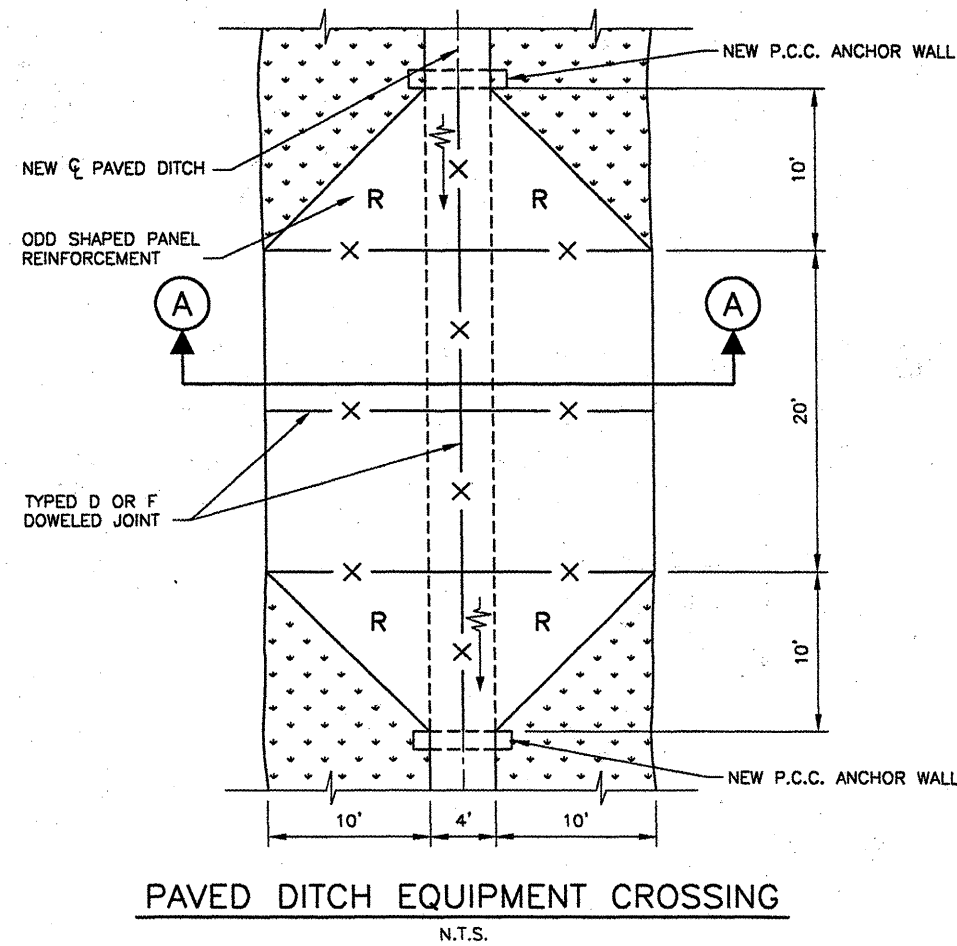


BLOOMINGTON-NORMAL AIRPORT AUTHORITY  
 CENTRAL ILLINOIS REGIONAL AIRPORT  
 BLOOMINGTON, ILLINOIS  
 CONSTRUCT DRAINAGE IMPROVEMENTS  
 TYPICAL SECTIONS 2

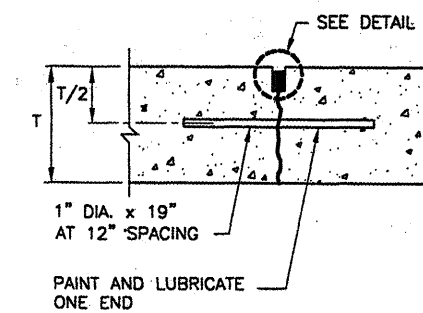
© Copyright CMT, Inc.  
**CMT**  
 CRAWFORD, MURPHY & TILLY, INC.  
 CONSULTING ENGINEERS  
 License No. 184-000513

DESIGN BY: RLV  
 DRAWN BY: DPA  
 CHECKED BY: *RLV*  
 APPROVED BY: *RLV*  
 DATE: 04/01/2008  
 JOB No: 0708502

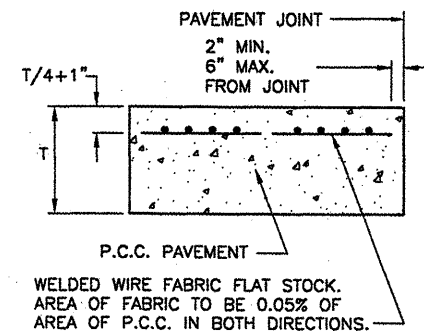
IL PROJ NO. BMI-3793  
 AIP PROJ NO. 3-17-0006-45



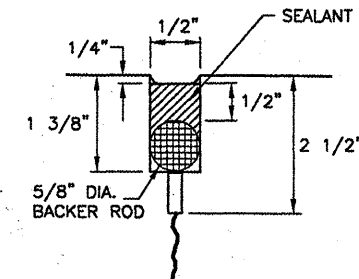
**TYPE D DOWELED**  
 SYMBOL -X-X-X-



**TYPE F DOWELED**  
 SYMBOL -X-X-X-



**ODD SHAPED  
 PANEL REINFORCEMENT**  
 SYMBOL "R"



**DETAIL 3**