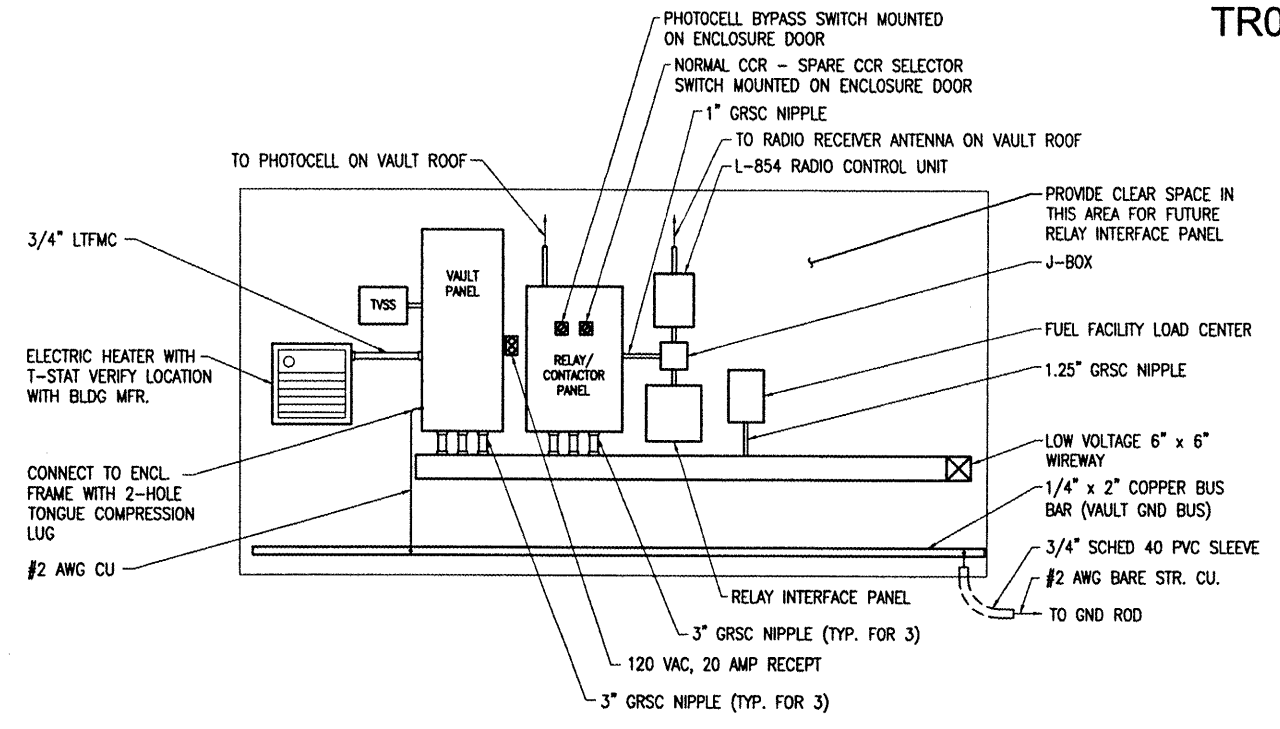
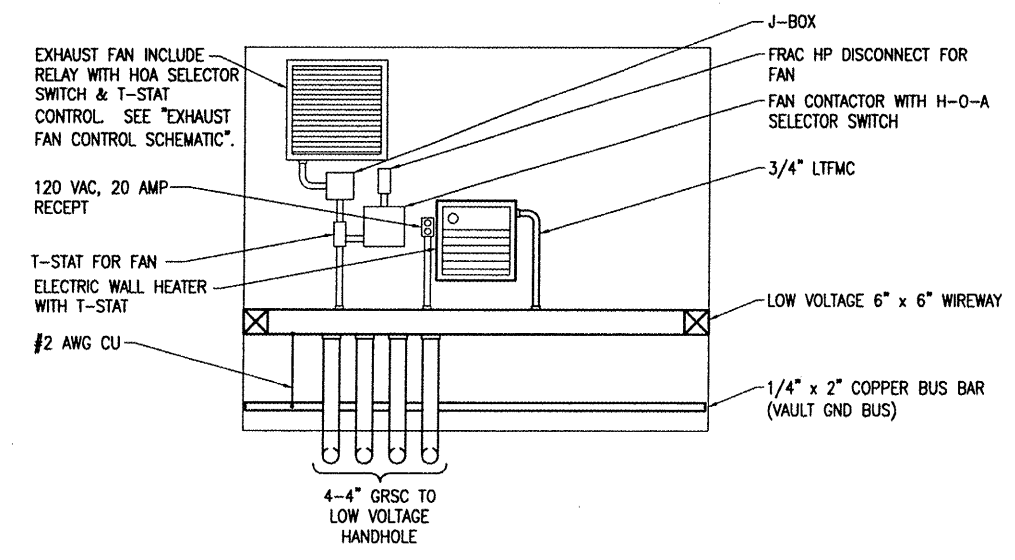


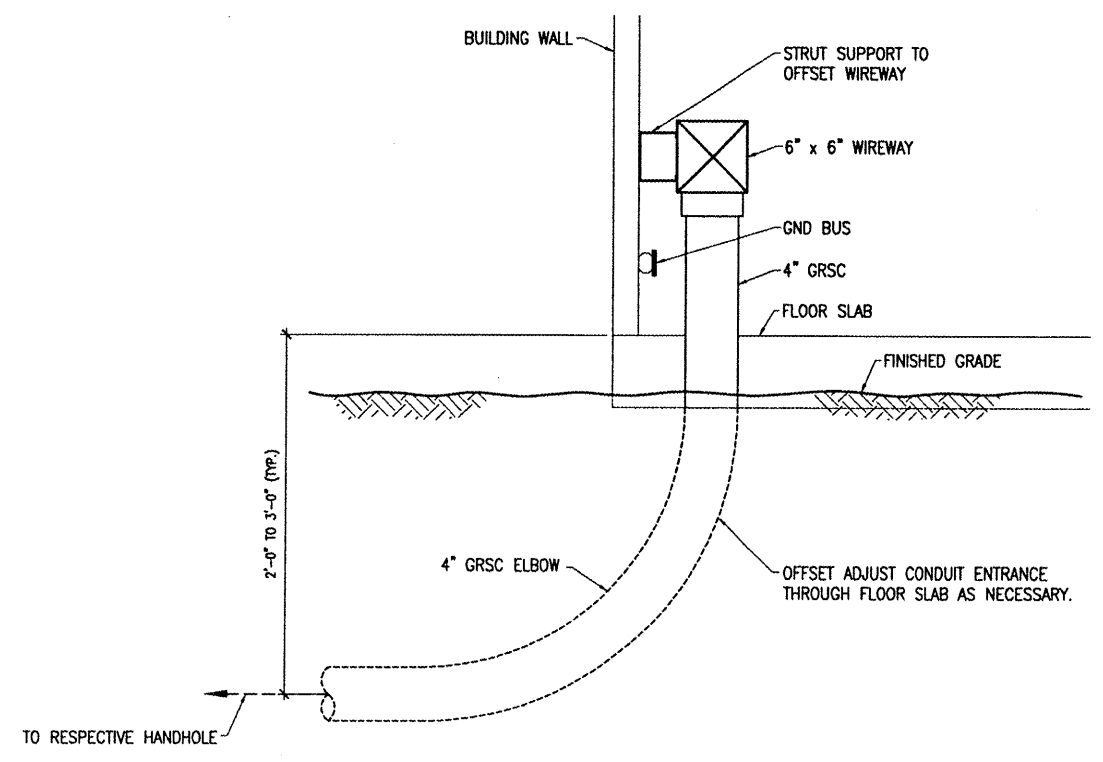
VAULT EAST WALL ELEVATION
 SCALE 1/2"=1'-0"
 1 0 2 4 FEET



VAULT WEST WALL ELEVATION
 SCALE 1/2"=1'-0"
 1 0 2 4 FEET



VAULT NORTH WALL ELEVATION
 SCALE 1/2"=1'-0"
 1 0 2 4 FEET



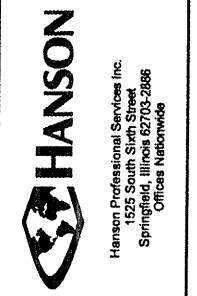
CONDUIT ENTRANCE DETAIL
 SCALE 1 1/2"=1'-0"
 0.5 0 1 2 FEET

| | |
|----------|--|
| BY | |
| REVISION | |
| DATE | |

TRI-TOWNSHIP AIRPORT
 SAVANNA, CARROLL COUNTY
 ILLINOIS

IL PROJ.: SFY-3782 A.I.P. PROJ.: 3-17-0091-B14

| | |
|------------------|---------------|
| FILE PROJECT No. | 07A0144D_0800 |
| Drawn | E-201.DWG |
| Scale | 1/2"=1'-0" |
| Date | 05/13/08 |
| LAYOUT | KNL 01/22/08 |
| DRAWN | MV 01/22/08 |
| REVIEWED | CAH 02/08/08 |



CONSTRUCT
 NEW VAULT

PROPOSED AIRPORT
 VAULT

WALL ELEVATIONS

MAY 13, 2008 3:14 PM HINT001214
 I:\AIRPORTS\SAVANNA\07A0144\CAD\SHETS\E-201.DWG - Layout1