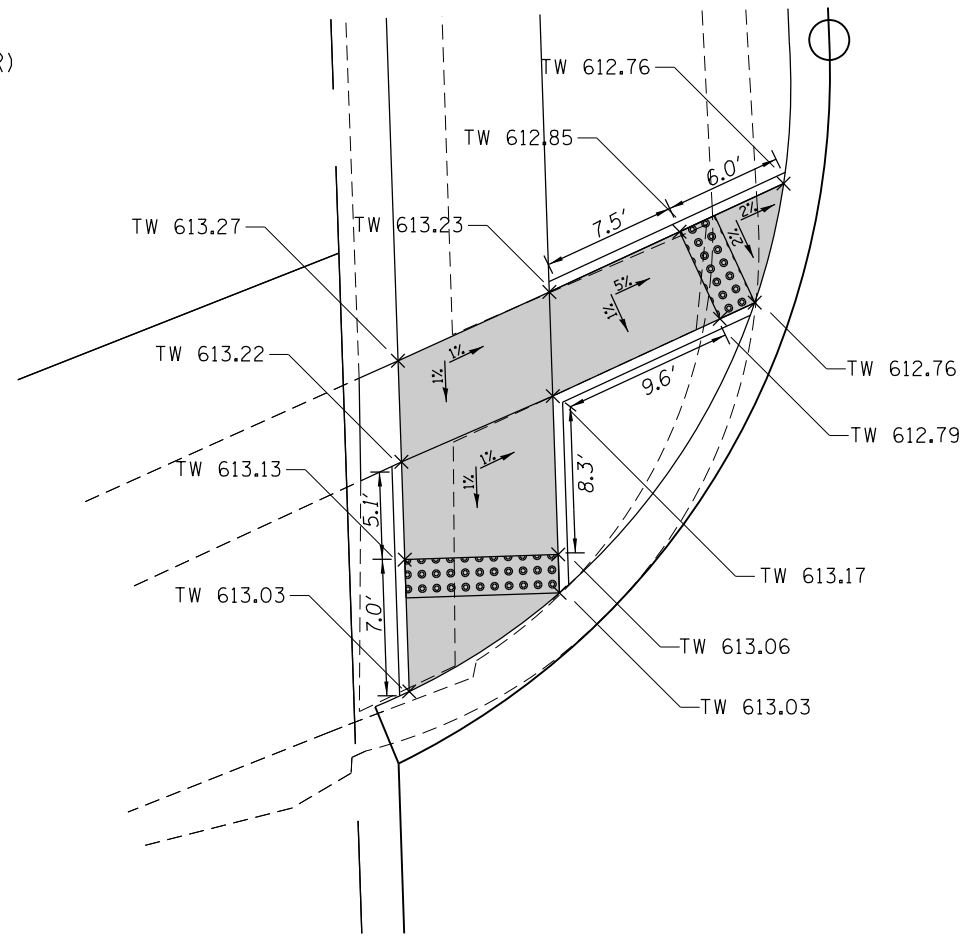
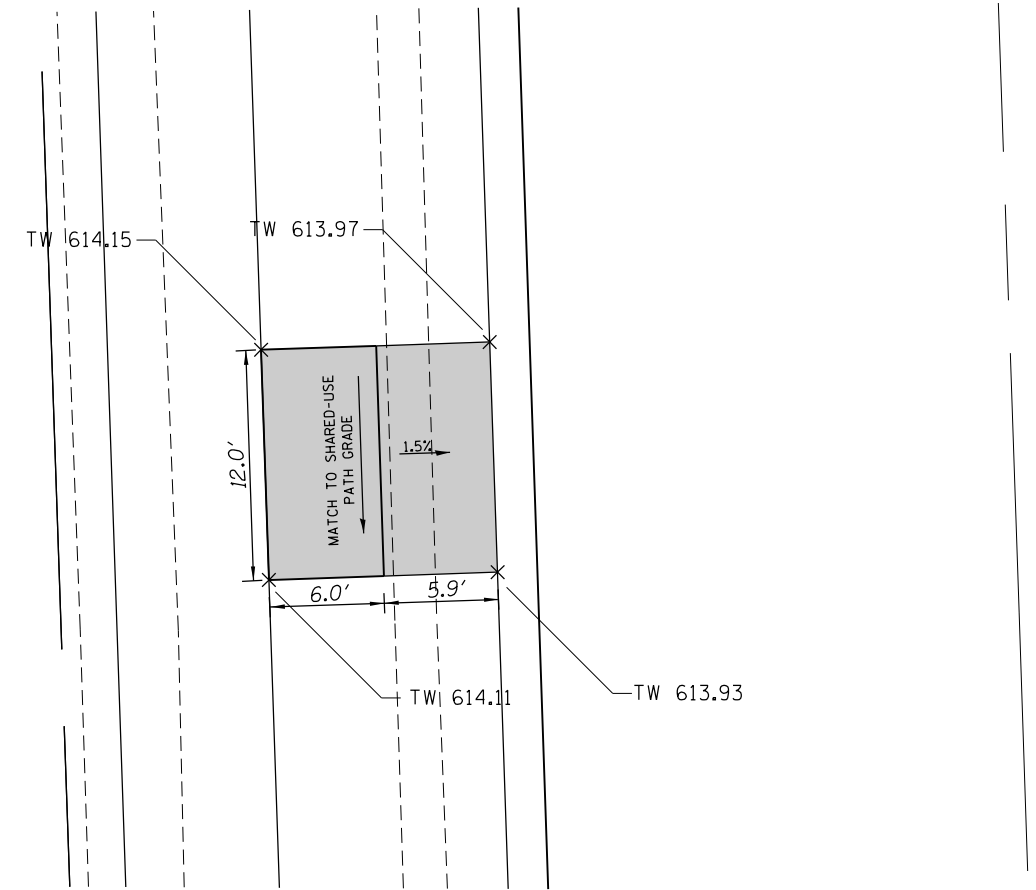


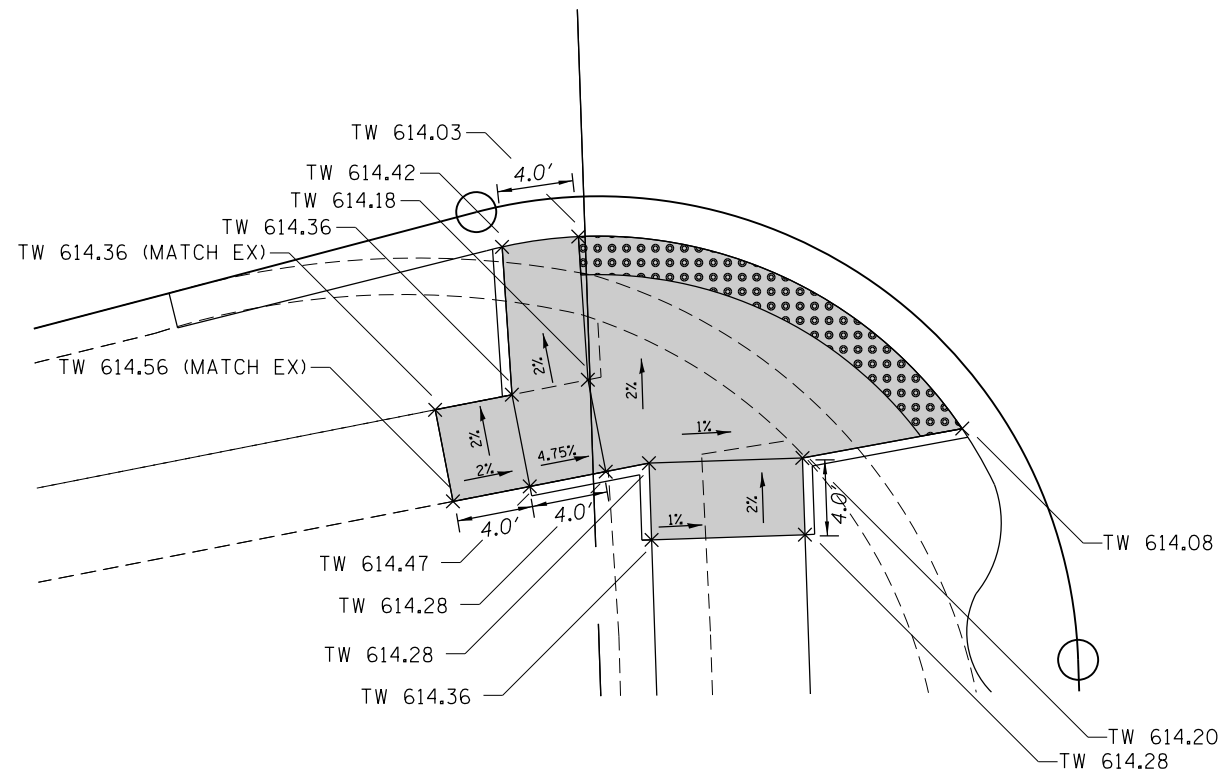
PARKVIEW AVENUE
(NORTHWEST CORNER)



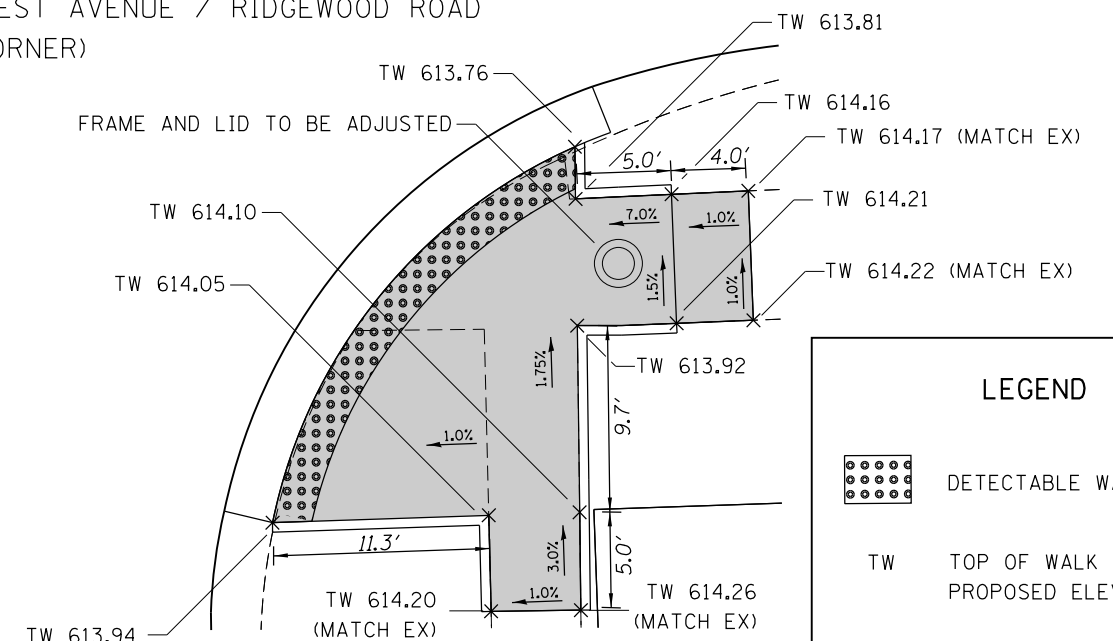
BUS PAD
STA 40+59, 33' LT



IL 171 AT FOREST AVENUE / RIDGEWOOD ROAD
(SOUTHWEST CORNER)



IL 171 AT FOREST AVENUE / RIDGEWOOD ROAD
(SOUTHEAST CORNER)



LEGEND

DETECTABLE WARNINGS

TW TOP OF WALK
PROPOSED ELEVATION

GENERAL NOTES:

1. PROPOSED ELEVATIONS ARE APPROXIMATE.
2. REF: BM ELEV 619.69, LOCATED ON THE NORTH-NORTHWEST BONNET BOLT ON THE FIRE HYDRANT AT THE SW CORNER OF WASHINGTON AVENUE AND WOODSIDE AVENUE.

FILE NAME =	USER NAME = tariqfm	DESIGNED -	REVISED -
ei:\pw\work\p1404\tariqfm\d0315748\P1144	2-sht-details.dgn	DRAWN -	REVISED -
Default	PLOT SCALE = 10.0000' / in.	CHECKED -	REVISED -
	PLOT DATE = 3/31/2014	DATE -	REVISED -

**STATE OF ILLINOIS
DEPARTMENT OF TRANSPORTATION**

**IL. ROUTE 171 AT FOREST AVE./RIDGEWOOD RD.
SIDEWALK DETAIL**

SCALE: 1:5 SHEET OF SHEETS STA. TO STA.

F.A.P. RTE.	SECTION	COUNTY	TOTAL SHEETS	SHEET NO.
372	03035-TS	COOK	87	66
CONTRACT NO. 60X08				
ILLINOIS FED. AID PROJECT				