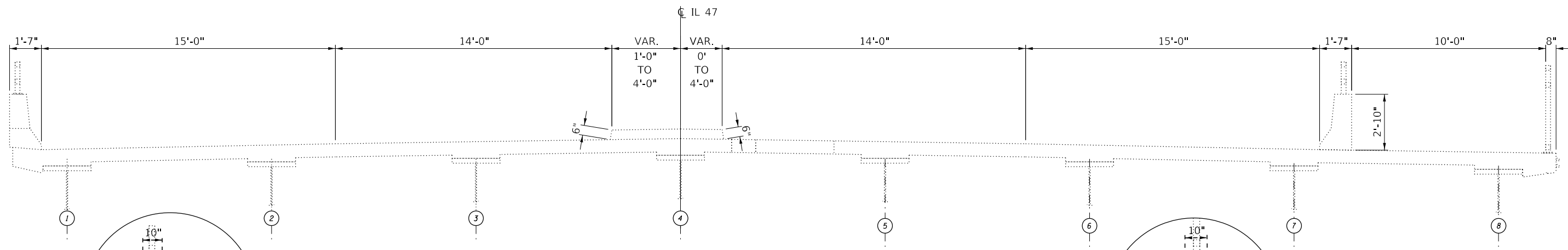


DECK CROSS SECTION A-A

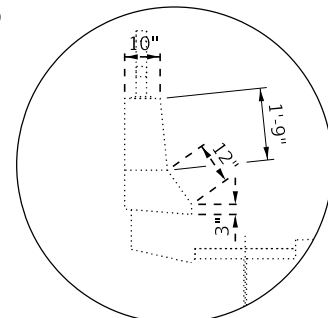
*STA. 166+48 TO STA. 178+12

*SOUTH APPROACH = STA. 166+48 TO STA. 166+78
STA. 166+78 = BK. S. ABUT.



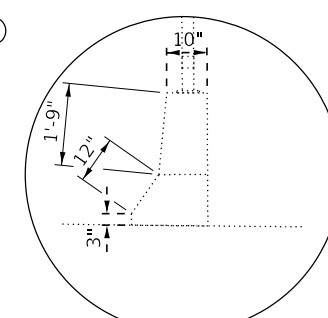
DECK CROSS SECTION B-B

STA. 178+12 TO STA. 179+37



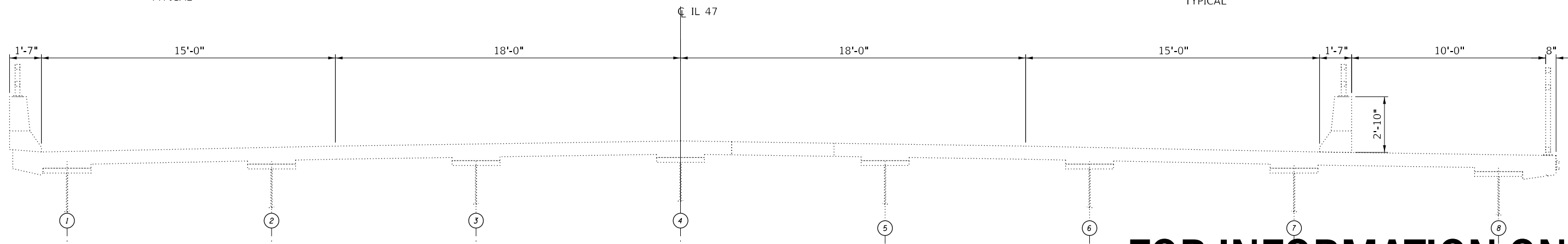
PARAPET DETAIL

TYPICAL



PARAPET DETAIL

TYPICAL



DECK CROSS SECTION C-C

STA. 179+37 TO STA. 184+38

*STA. 184+08=BK. N. ABUT.
NORTH APPROACH=STA. 184+08 TO 184+38

FOR INFORMATION ONLY

DIMENSIONS ARE IN ENGLISH UNITS FRO REFERENCE ONLY

MODEL: Default
FILE: \\nas01c.psu.edu\baronm.d\illinois.gov\PROJECTS\DOT\Documents\DOT - Offices\District 3\Projects\0366K\1\0\CADD\0366K\04\detail.dgn

USER NAME = woodshankr	DESIGNED - ECP	REVISED - _____
DRAWN - ECP	REVISIONS - _____	
PLOT SCALE = 100.0000' / in.	CHECKED - RW	REVISED - _____
PLOT DATE = 3/18/2019	DATE - 1/29/19	REVISED - _____

**STATE OF ILLINOIS
DEPARTMENT OF TRANSPORTATION**

**EXISTING STRUCTURE DETAILS - LOCATION 1
SN 032-0099**

SCALE: _____ SHEET 2 OF 2 SHEETS STA. _____ TO STA. _____

F.A. RTE.	SECTION	COUNTY	TOTAL SHEETS	SHEET NO.
VAR. D3	BRIDGE WASHING 2019-1	GRUNDY/LASALLE	30	11
CONTRACT NO. 66K10				
ILLINOIS		FED. AID PROJECT		