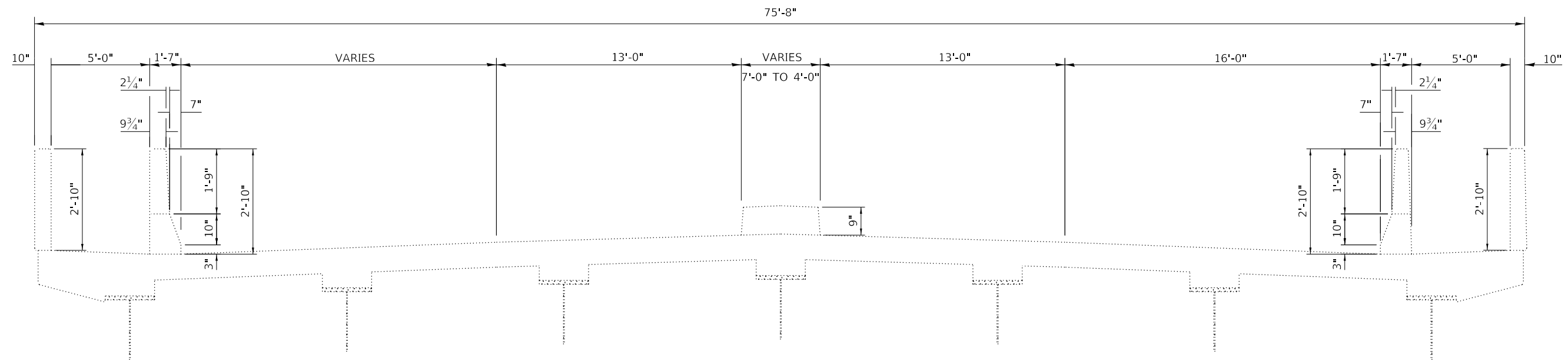


**CROSS SECTION**

LOOKING NORTH  
STA. 799+51.42 TO STA. 799+84.92



**CROSS SECTION**

LOOKING NORTH  
STA. 799+84.92 TO STA. 802+25

**FOR INFORMATION ONLY**

MODEL: Default  
FILE: Model: P:\pub\baron.com.dwg\illinois.gov\PI\DOT\Documents\DOT\_Offices\District 3\Projects\0366K\0366K\CAD\Drawings\04\Detail.dgn

USER NAME = MARINIEJ	DESIGNED - ECP	REVISED - _____
DRAWN - ECP	REVISIONS - _____	
PLOT SCALE = 3.9370' / mm	CHECKED - RW	REVISED - _____
PLOT DATE = 4/25/2019	DATE - 1/29/19	REVISED - _____

**STATE OF ILLINOIS  
DEPARTMENT OF TRANSPORTATION**

**EXISTING STRUCTURE DETAILS - LOCATION 4  
SN 050-0180**

SCALE: \_\_\_\_\_ SHEET 2 OF 3 SHEETS STA. \_\_\_\_\_ TO STA. \_\_\_\_\_

F.A. RTE.	SECTION	COUNTY	TOTAL SHEETS	SHEET NO.
VAR.	D3 BRIDGE WASHING 2019-1	GRUNDY/LASALLE	30	21
CONTRACT NO. 66K10				
ILLINOIS FED. AID PROJECT				