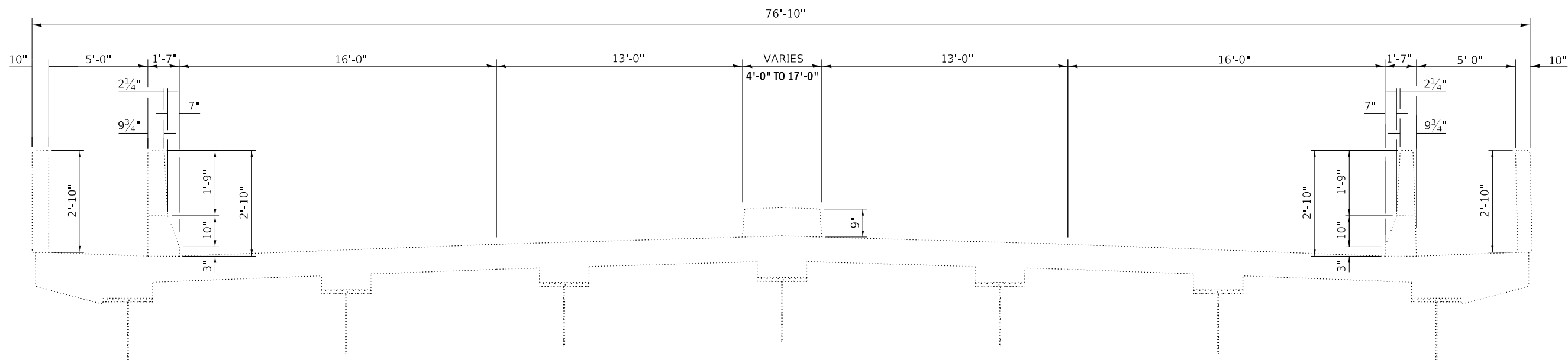


**CROSS SECTION**

LOOKING NORTH  
STA. 802+25 TO STA. 811+95.50



**CROSS SECTION**

LOOKING NORTH  
STA. 811+95.50 TO STA. 812+63.25

**FOR INFORMATION ONLY**

MODEL: Default  
FILE: h:\a\c\p\pub\barroom.dwg  
PROJECT: 0366K10\CADD\Drawings\DOT Office\Drawings\3\Projects\0366K10\CADD\Drawings\04\Detail.dgn

USER NAME = MARINIEJ	DESIGNED - ECP	REVISED - _____
DRAWN - ECP	REVISIONS - _____	
PLOT SCALE = 3.9370' / mm	CHECKED - RW	REVISED - _____
PLOT DATE = 4/25/2019	DATE - 1/29/19	REVISED - _____

STATE OF ILLINOIS  
DEPARTMENT OF TRANSPORTATION

EXISTING STRUCTURE DETAILS - LOCATION 4  
SN 050-0180

SCALE: \_\_\_\_\_ SHEET 3 OF 3 SHEETS STA. \_\_\_\_\_ TO STA. \_\_\_\_\_

F.A. RTE.	SECTION	COUNTY	TOTAL SHEETS	SHEET NO.
VAR. D3 BRIDGE WASHING 2019-1		GRUNDY/LASALLE	30	22
CONTRACT NO. 66K10				
ILLINOIS FED. AID PROJECT				