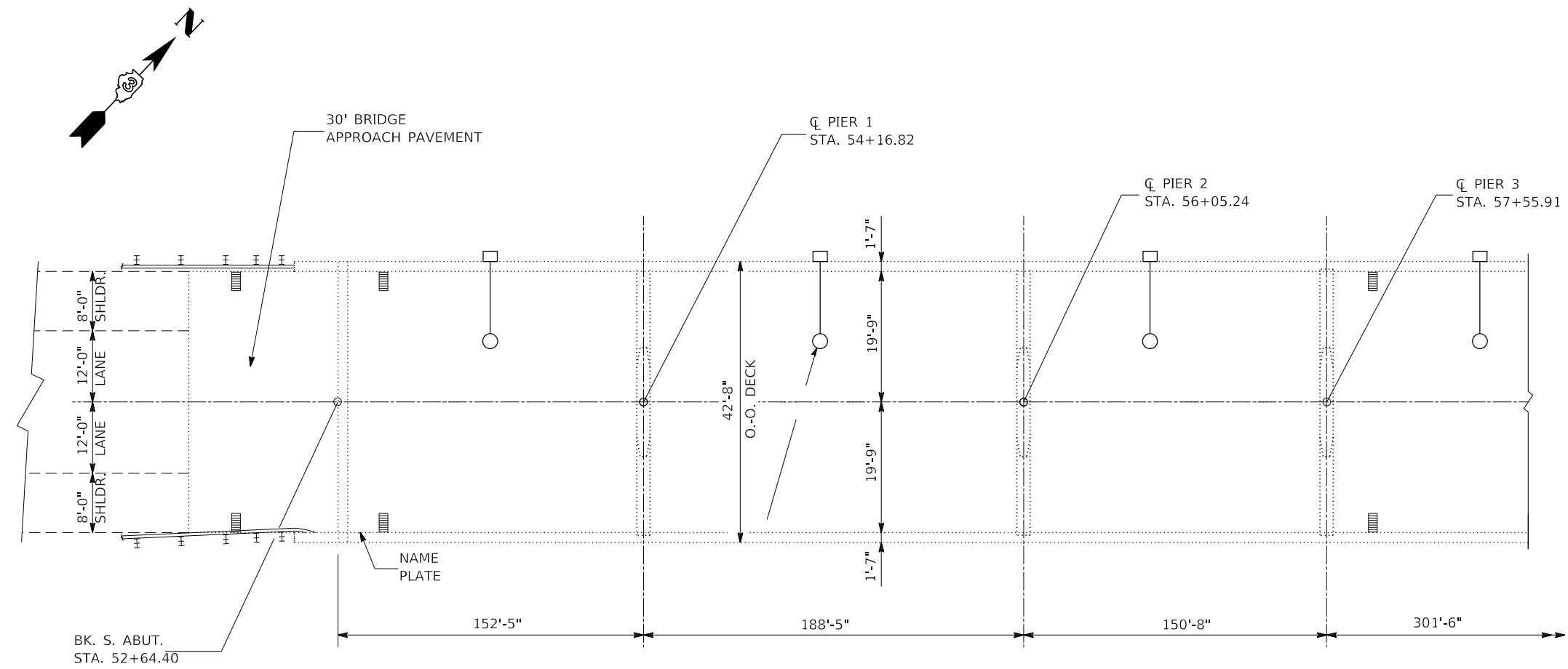


**ELEVATION**



**PLAN**

**FOR INFORMATION ONLY**

MODEL: Default  
 FILE: Model: 301uplanroom.dwg  
 PROJECT: 301uplanroom.dwg  
 OFFICE: 301uplanroom.dwg  
 DATE: 3/18/2019

USER NAME = woodshankr	DESIGNED - ECP	REVISED - _____
DRAWN - ECP	CHECKED - RW	REVISED - _____
PLOT SCALE = 100.0000' / in.	DATE - 1/29/19	REVISED - _____
PLOT DATE = 3/18/2019		

**STATE OF ILLINOIS  
DEPARTMENT OF TRANSPORTATION**

**EXISTING STRUCTURE DETAILS - LOCATION 5  
SN 050-0237**

SCALE: \_\_\_\_\_ SHEET 1 OF 4 SHEETS STA. \_\_\_\_\_ TO STA. \_\_\_\_\_

F.A. RTE.	SECTION	COUNTY	TOTAL SHEETS	SHEET NO.
VAR.	D3 BRIDGE WASHING 2019-1	GRUNDY/LASALLE	30	23
CONTRACT NO. 66K10				
ILLINOIS FED. AID PROJECT				