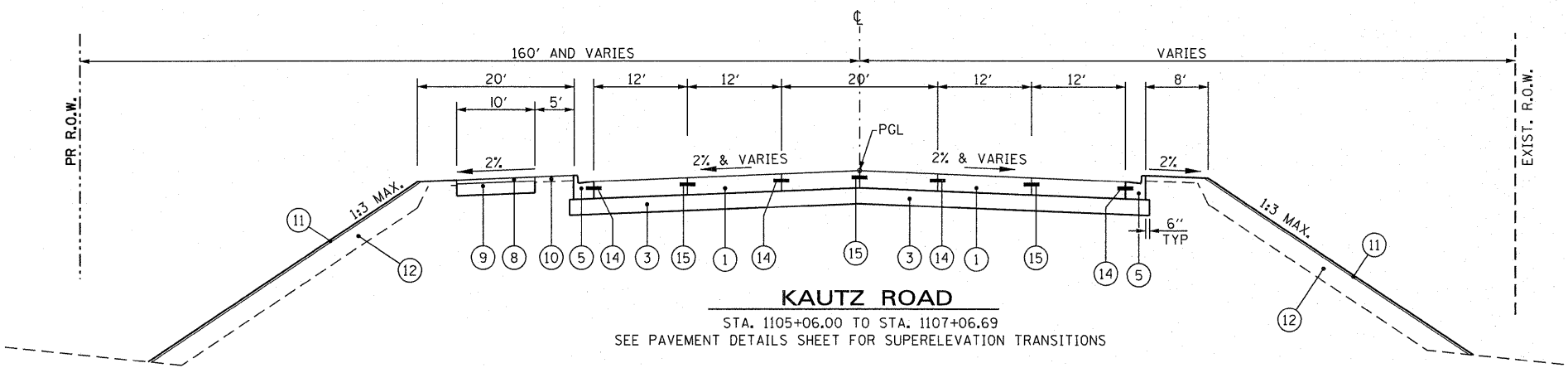
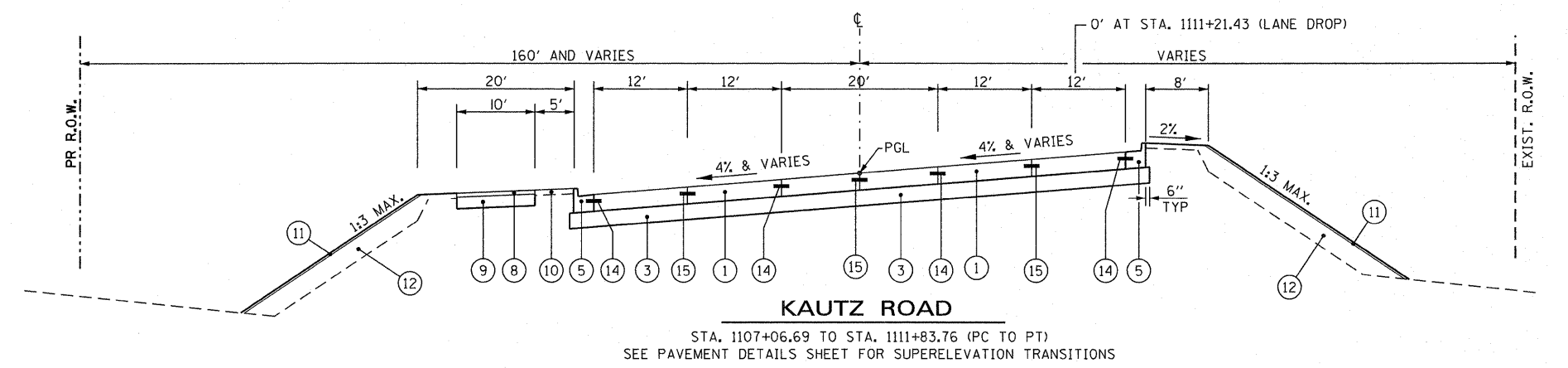


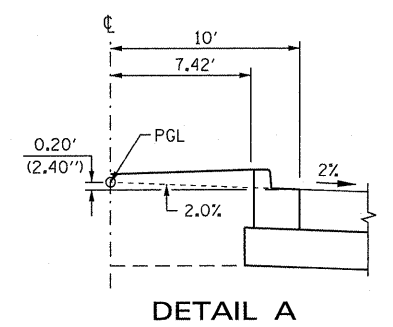
KAUTZ ROAD
STA. 1101+28.00 TO STA. 1105+06.00



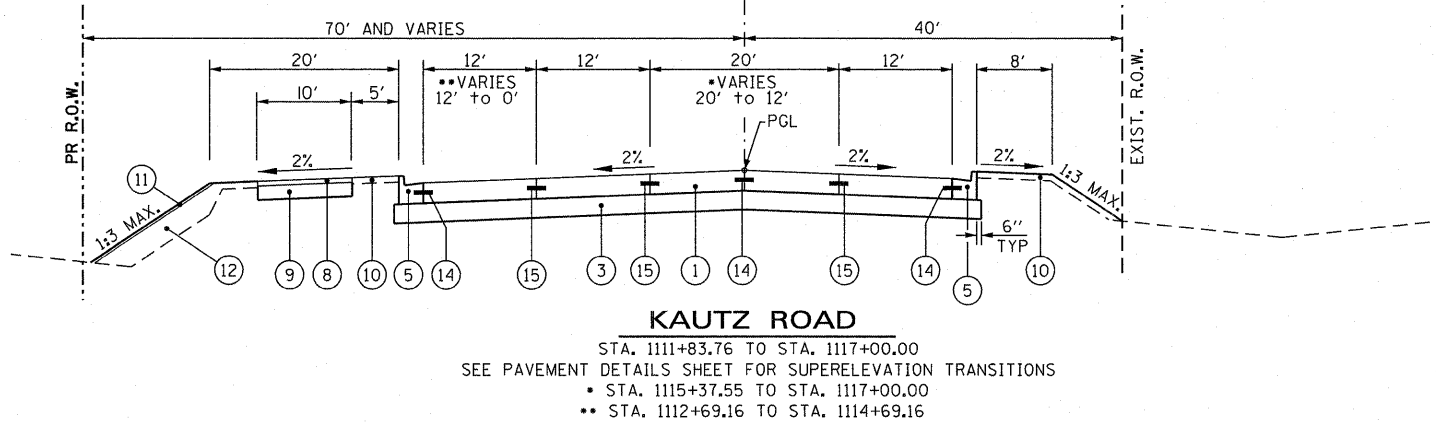
KAUTZ ROAD
STA. 1105+06.00 TO STA. 1107+06.69
SEE PAVEMENT DETAILS SHEET FOR SUPERELEVATION TRANSITIONS



KAUTZ ROAD
STA. 1107+06.69 TO STA. 1111+83.76 (PC TO PT)
SEE PAVEMENT DETAILS SHEET FOR SUPERELEVATION TRANSITIONS



DETAIL A



KAUTZ ROAD
STA. 1111+83.76 TO STA. 1117+00.00
SEE PAVEMENT DETAILS SHEET FOR SUPERELEVATION TRANSITIONS
• STA. 1115+37.55 TO STA. 1117+00.00
•• STA. 1112+69.16 TO STA. 1114+69.16

PROPOSED LEGEND

- ① PORTLAND CEMENT CONCRETE PAVEMENT 9 1/2" (JOINTED)
- ② STABILIZED SUBBASE - HOT-MIX ASPHALT, 4 1/2"
- ③ AGGREGATE SUBGRADE IMPROVEMENT 12"
- ④A POROUS GRANULAR EMBANKMENT, SUBGRADE
- ④B GEOTECHNICAL FABRIC FOR GROUND STABILIZATION
- ⑤ COMBINATION CONCRETE CURB AND GUTTER, TYPE B-6.24
- ⑥ COMBINATION CONCRETE CURB AND GUTTER, TYPE B-6.18 (MODIFIED)
- ⑦ CONCRETE MEDIAN, TYPE SB-6.18
- ⑧ HOT-MIX ASPHALT SURFACE COURSE, MIX "D", N50, 2"
- ⑨ AGGREGATE BASE COURSE, TYPE B, 6"
- ⑩ TOPSOIL EXCAVATION AND PLACEMENT, 4" WITH SEEDING, OR TOPSOIL FURNISH AND PLACE, 4" WITH SEEDING, SEE LANDSCAPING PLANS
- ⑪ COARSE SAND PLACEMENT, 2"
- ⑫ TOPSOIL EXCAVATION AND PLACEMENT, 18" WITH SEEDING, OR TOPSOIL FURNISH AND PLACE, 18" WITH SEEDING, SEE LANDSCAPING PLANS
- ⑬ TOPSOIL EXCAVATION AND PLACEMENT, 24" WITH SODDING SALT TOLERANT, OR TOPSOIL FURNISH AND PLACE, 24" WITH SODDING SALT TOLERANT
- ⑭ LONGITUDINAL CONSTRUCTION JOINT - NO. 8 TIE BARS, 24" LONG @ 24" C-C (EPOXY COATED), INCIDENTAL TO PCC PAVEMENT
- ⑮ LONGITUDINAL SAWED JOINT - NO. 8 TIE BARS, 30" LONG @ 30" C-C (EPOXY COATED), INCIDENTAL TO PCC PAVEMENT
- ⑯ BITUMINOUS MATERIALS (PRIME COAT)

IL ROUTE 38 PAVEMENT SHALL BE EXTENDED LIFE CONCRETE PAVEMENT (30 YEAR). SEE SPECIAL PROVISIONS.

HOT-MIX ASPHALT MIXTURE REQUIREMENTS

MIXTURE TYPE	AIR VOIDS
TEMPORARY PAVEMENT (10')	
- HOT-MIX ASPHALT SURFACE COURSE, MIX "D", N50 (IL 9.5 mm), 2"	4% @ 50 Gyr.
- HOT-MIX ASPHALT BINDER COURSE, IL-19.0 mm, 8" (IN 3 LIFTS)	
DRIVEWAYS	
- HOT-MIX ASPHALT SURFACE COURSE, MIX "D", N50 (IL 9.5 mm), 2"	4% @ 50 Gyr.
- HOT-MIX ASPHALT BASE COURSE (HMA BINDER IL-19 mm), PE=6", CE=8"	
MULTI-USE PATH	
- HOT-MIX ASPHALT SURFACE COURSE, MIX "D", N50 (IL 9.5 mm), 2"	4% @ 50 Gyr.
STABILIZED SUB-BASE	
- STABILIZED SUBBASE - HOT-MIX ASPHALT, 4 1/2" (IL-19 mm)	3% @ 50 Gyr.
PAVEMENT PATCHING	
- CLASS D PATCHES (HMA BINDER IL-19 mm)	4% @ 70 Gyr.

NOTES:

1. THE UNIT WEIGHT USED TO CALCULATE ALL HMA SURFACE MIXTURE QUANTITIES IS 112 LBS/SQ YD/IN.
2. THE "AC TYPE" FOR POLYMERIZED HMA MIXES SHALL BE "SBS/SBR PG 76-22" AND FOR NON-POLYMERIZED HMA THE "AC TYPE" SHALL BE "PG 64-22" UNLESS MODIFIED BY DISTRICT ONE SPECIAL PROVISIONS.
3. FOR "PERCENT OF RAP" SEE DISTRICT ONE SPECIAL PROVISIONS.
4. A SURFACE COURSE IS NOT REQUIRED IF TEMPORARY PAVEMENT IS REMOVED WITHIN THE SAME CONSTRUCTION SEASON; USE BASE OR BINDER COURSE FULL DEPTH.
5. IF THE CONTRACTOR CHOOSES TO USE CONCRETE FOR TEMPORARY PAVEMENT, IT SHALL CONSIST OF CLASS PV CONCRETE MEETING THE REQUIREMENTS OF ARTICLE 1020 OF THE STANDARD SPECIFICATIONS. PCC TEMPORARY PAVEMENT SHALL BE A MINIMUM OF 10" THICK.

McDonough Associates Inc.
 Engineers/Architects
 130 East Randolph Street, Chicago, Illinois 60601

FILE NAME = D160122-SHT-TYPICAL07.dgn
 USER NAME = EricG
 PLOT SCALE = 1/10
 PLOT DATE = 3/6/2012

DESIGNED - ---	REVISD -
DRAWN - ---	REVISD -
CHECKED - E.JG	REVISD -
DATE - 03/07/12	REVISD -

**STATE OF ILLINOIS
DEPARTMENT OF TRANSPORTATION**

PROPOSED TYPICAL SECTIONS

SCALE: NONE SHEET NO. 7 OF 8 SHEETS STA. TO STA.

F.A.P. RTE.	SECTION	COUNTY	TOTAL SHEETS	SHEET NO.
347	LY (HB & VB)	DUPAGE/KANE	421	19
TYP-7		CONTRACT NO. 60122		
FED. ROAD DIST. NO. 1 ILLINOIS FED. AID PROJECT				