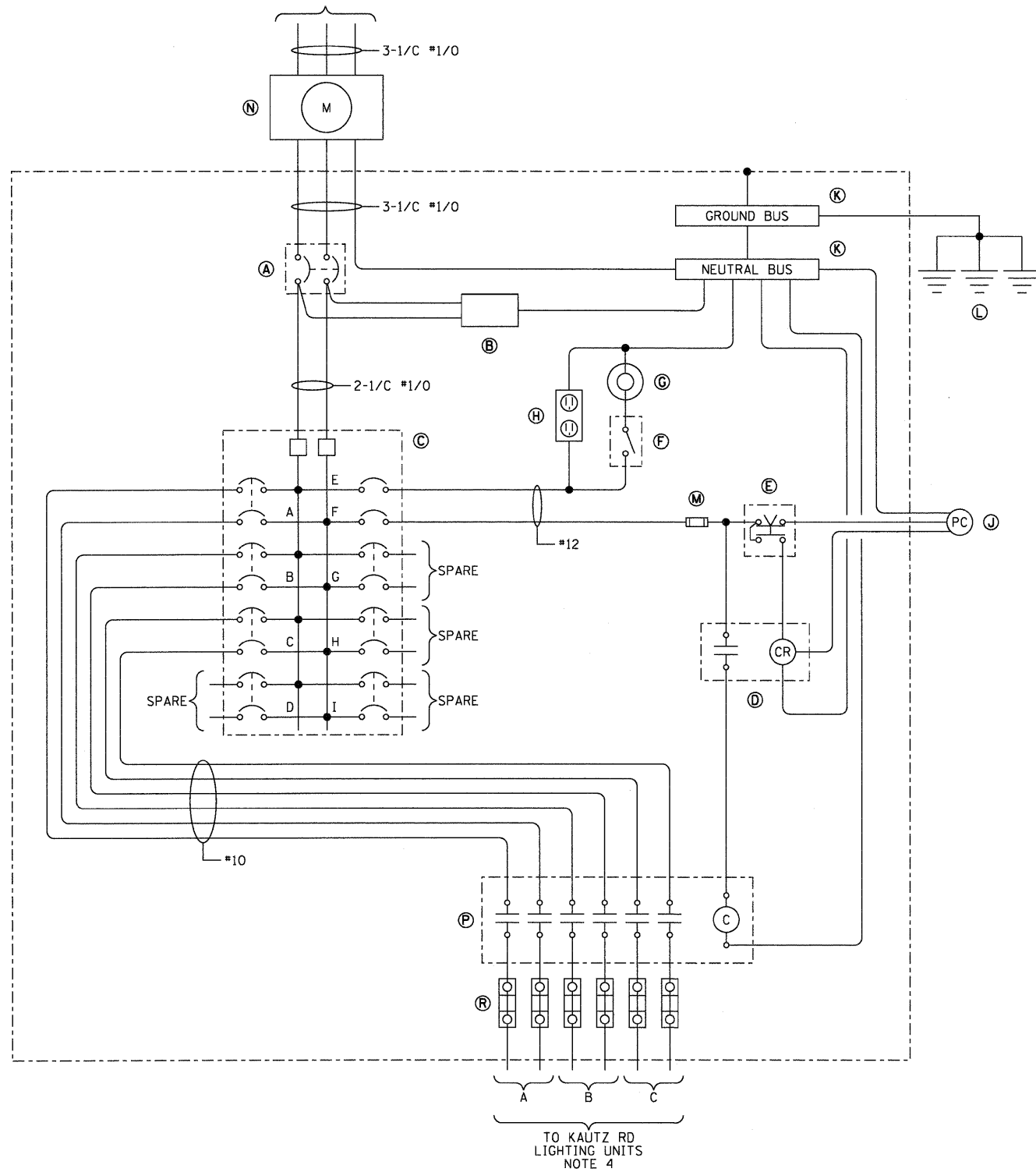


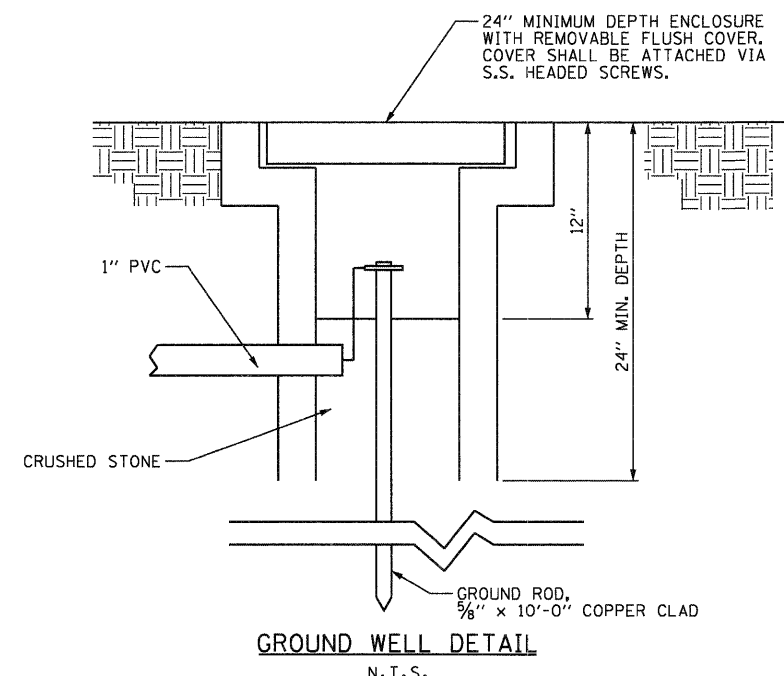
ELECTRICAL SERVICE FROM EXISTING COMED PAD MOUNT TRANSFORMER 100A, 120/240V, 1 PH, 3W



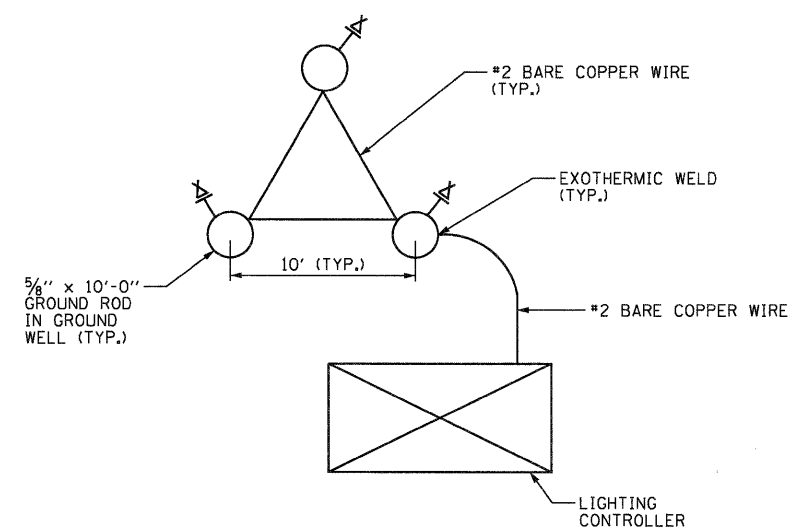
BILL OF MATERIALS		
ITEM	QTY.	DESCRIPTION
(A)	1	CUTLER HAMMER, *CHB2060, MAIN CIRCUIT BREAKER, MOLDED CASE, THERMAL MAGNETIC, 100 AMPERE FRAME, 60 AMPERE TRIP, 240 VOLT, 2-POLE, NON-INTERCHANGEABLE TRIP, INTERRUPTING RATING OF NOT LESS THAN 65,000 RMS SYMMETRICAL AMPERES AT 240 VOLTS
(B)	1	BRACKET MOUNTED SURGE ARRESTOR FOR 120/240 VOLT, 3 WIRE SERVICE
(C)	1	CUTLER HAMMER, POW-R-LINE PANELBOARD INTERIOR *PRL1R, 120/240 VOLT, SINGLE-PHASE, 3-WIRE, WITH 100 AMPERE COPPER BUS, (2) 1 POLE-20 AMPERE, 120 VOLT, BOLT-ON BRANCH CIRCUIT BREAKERS, CATALOG NUMBER OBHW1020, INTERRUPTING RATING 22,000 AMPERES AT 120 VOLTS, AND (7) 2 POLE-30 AMPERE, 240 VOLT, BOLT-ON BRANCH CIRCUIT BREAKERS, CATALOG NUMBER OBHW2030, INTERRUPTING RATING 22,000 AMPERES AT 240 VOLTS
(D)	1	CONTROL RELAY WITH CONTACTS RATED FOR CONTACTOR IN RUSH CURRENT
(E)	1	TWO-POSITION TEST SWITCH
(F)	1	OMRON, *A-20G0-B7-K, DOOR SWITCH (MOUNT WITH ACTUATOR TO SWITCH WHEN DOOR OPENED)
(G)	1	GENERAL ELECTRIC, *H7-120V-15F-3W-DD, 60 WATT ENCLOSED AND GASKETED INCANDESCENT FIXTURE, VAPORTIGHT, WITH GLOBE, GUARD, AND MOUNTING BOX
(H)	1	LEVITON, *7899, GROUND FAULT CIRCUIT INTERRUPTOR RECEPTACLE, PREMIUM SPECIFICATION GRADE, 20 AMPERE, 125 VOLT, NEMA 5-20R IN WEATHERPROOF BOX WITH FLAP TYPE COVER
(J)	1	NITELIGHTER, *FA105M, PHOTOCCELL, MOUNTED ON TOP OF LIGHTING CONTROL CABINET, FACING NORTH-EAST SKY AND SHIELDED FROM ADJACENT LIGHTS
(K)	2	COPPER GROUND AND NEUTRAL BUS, MINIMUM 1/4"x1"x12", WITH LUGS AND SPARE LUGS
(L)	3	COPPER-CLAD GROUND ROD, 5/8"x10'
(M)	1	COOPER-BUSSMANN, *FNO-R-5, FUSE, WITH FUSE BLOCK
(N)	1	MILBANK, *U8949-RL-TG-KK, METER FITTING, 100 AMPERE, 600 VOLT, SINGLE-PHASE, 4-TERMINAL, RINGLESS
(P)	1	SQUARE D, *8903L060V02, MULTIPOLE LIGHTING CONTACTOR, 30 AMPERE FIELD-CONVERTIBLE CONTACTS, WITH 6 NORMALLY OPEN CONTACTS AND 120 VOLT COIL
(R)	6	SQUARE D, *9080LBA262101, POWER DISTRIBUTION BLOCK, 2 POLE, (1) *14-2/0 AWG WIRE FOR MAIN AND BRANCH TERMINALS, TIN PLATED HIGH CONDUCTIVE ALUMINUM BLOCK TO ACCEPT EITHER ALUMINUM OR COPPER CONDUCTORS

NOTES:

- SEE DRAWING RL-7 FOR CONTROLLER CABINET DETAILS AND NOTES.
- THE CONTROLLER SHALL BE SUITABLE FOR USE AS SERVICE EQUIPMENT PER NEC 230.66.
- ALL CIRCUIT BREAKERS SHALL HAVE COPPER LUGS.
- EQUIPMENT GROUNDING CONDUCTOR IS NOT SHOWN BUT IS REQUIRED FOR EACH CIRCUIT. SEE LIGHTING PLANS FOR WIRE SIZES AND QUANTITIES FOR EACH CIRCUIT.



GROUND WELL DETAIL
N.T.S.



GROUND FIELD DETAIL
N.T.S.

McDonough Associates Inc.
Engineers / Architects
130 East Randolph Street, Chicago, Illinois 60601

FILE NAME = D168122-SHT-RL-6.dgn	USER NAME = omar-tin	DESIGNED - JLW	REVISED -
PLOT SCALE = 1:1	CHECKED - KMY	DRAWN - CJM	REVISED -
PLOT DATE = 12/14/2011	DATE - 12/09/11		REVISED -

**STATE OF ILLINOIS
DEPARTMENT OF TRANSPORTATION**

**ILLINOIS ROUTE 38 AND KAUTZ ROAD
LIGHTING CONTROLLER "G" WIRING DIAGRAM
AND CONTROLLER GROUNDING DETAILS**

F.A.P. RTE.	SECTION	COUNTY	TOTAL SHEETS	SHEET NO.
347	LY (HB & VB)	DUPAGE/KANE	421	161
RL-6			CONTRACT NO. 60122	
FED. ROAD DIST. NO. 1 ILLINOIS FED. AID PROJECT				

SCALE: NONE SHEET NO. 1 OF 1 SHEET STA. TO STA.