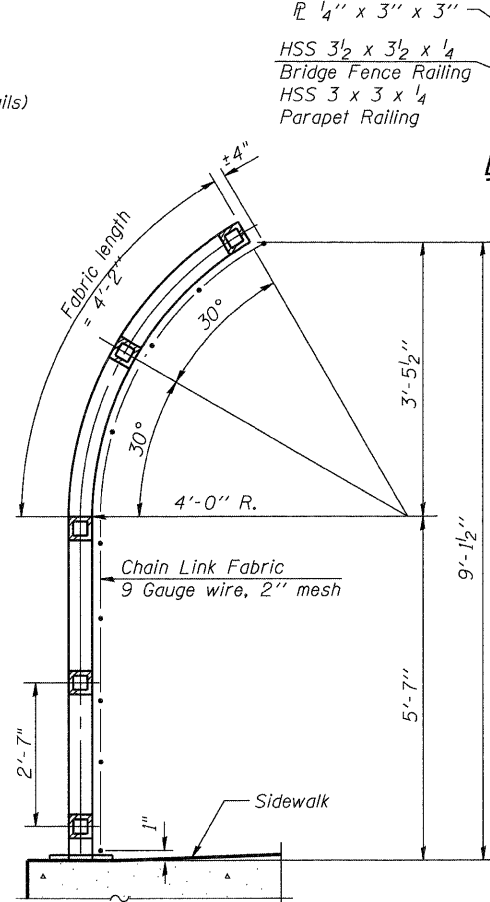
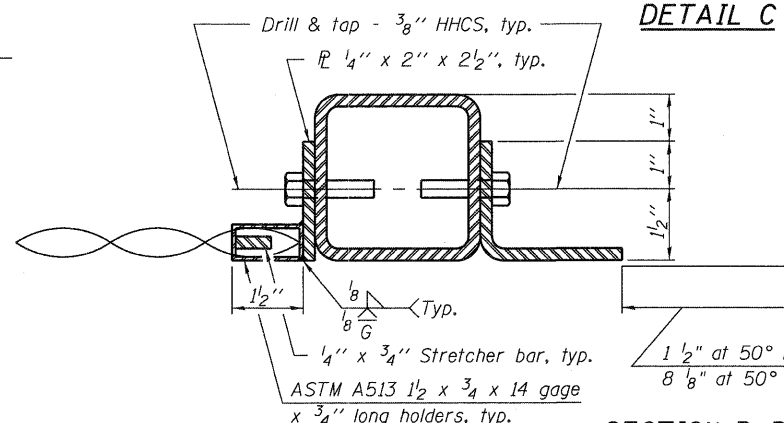
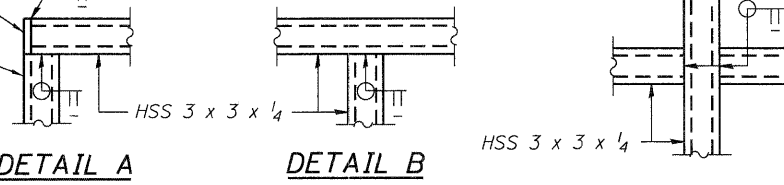


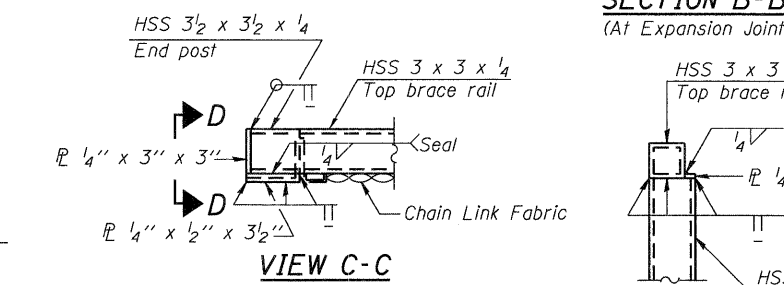
ELEVATION
(Inside Face)



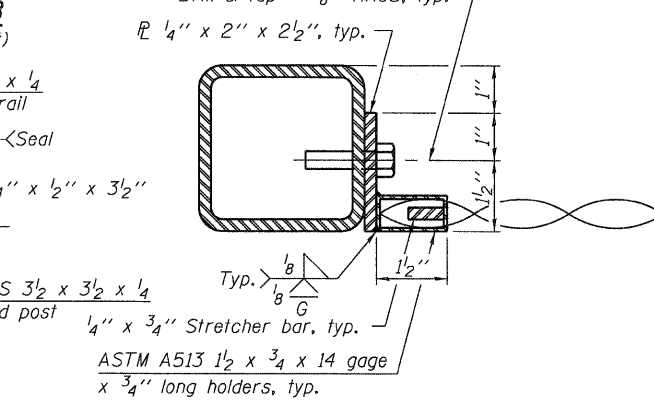
SECTION A-A



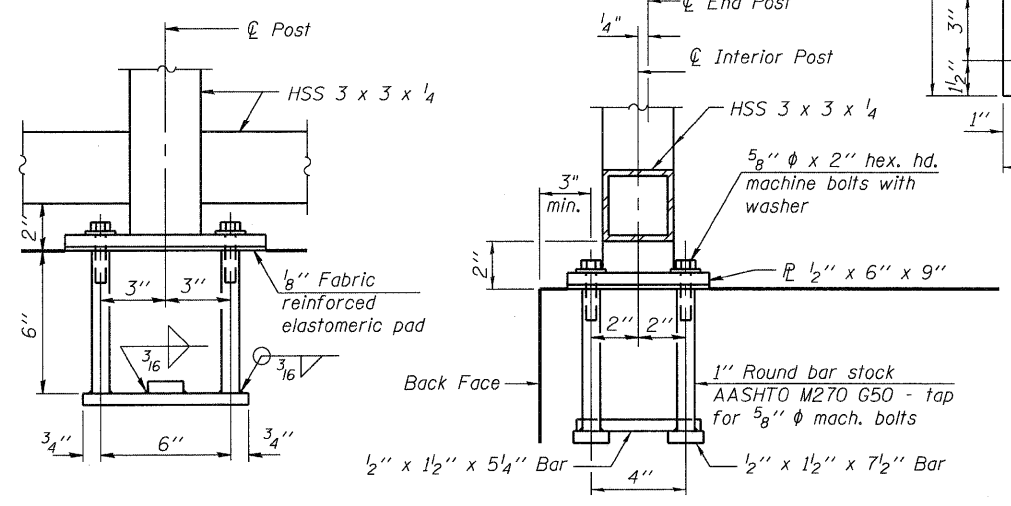
SECTION B-B
(At Expansion Joint)



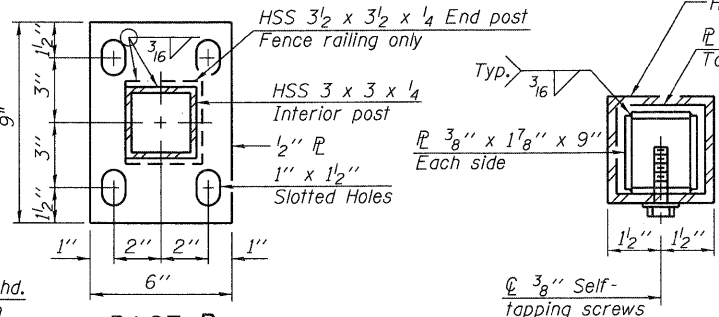
VIEW D-D



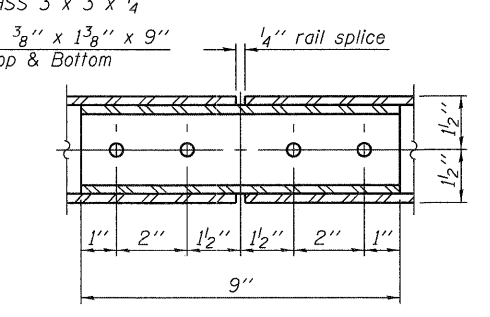
SECTION E-E



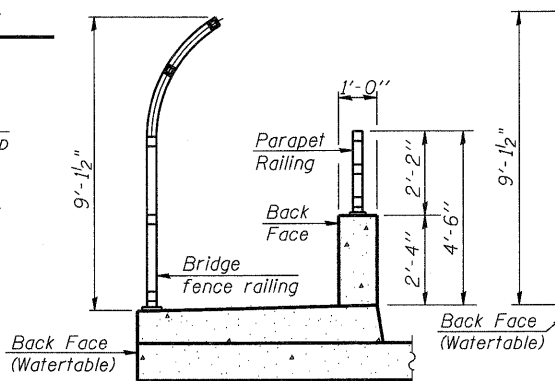
ANCHOR BOLT DETAILS



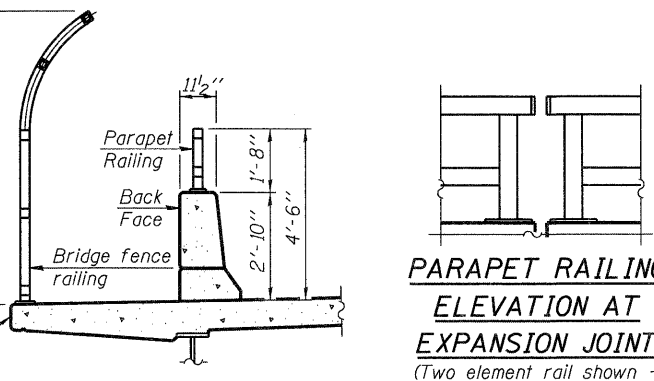
BASE P



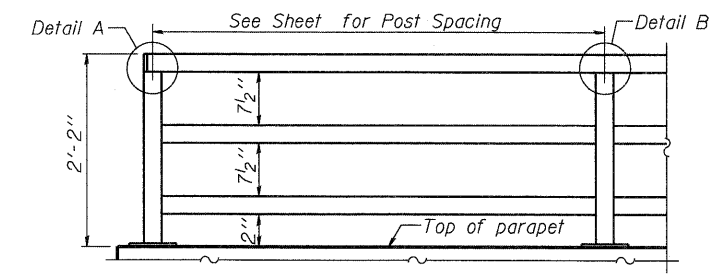
RAIL SPLICE



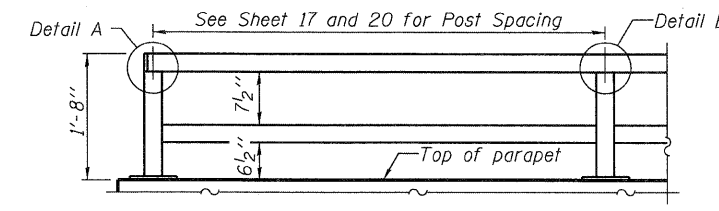
SECTION THRU SIDEWALK



SECTION THRU DECK



PARAPET RAILING ELEVATION
(Inside Face of Three Element Rail)



PARAPET RAILING ELEVATION
(Inside face of two element rail)

BILL OF MATERIAL

Item	Unit	Quantity
Bridge Fence Railing (Sidewalk)	Foot	335

McDonough Associates Inc.
Engineers / Architects
130 East Randolph Street Chicago, Illinois 60601

R-33 7-1-10 (10'-0" Maximum Post Spacing)

FILE NAME = 0450079-60122-029-Fence_Details_1.dgn	USER NAME = jehart	DESIGNED - JDK	REVISD -	STATE OF ILLINOIS DEPARTMENT OF TRANSPORTATION	BRIDGE FENCE RAILING, DECK MOUNTED STRUCTURE NO. 045-0079	F.A.P. RTE. = 347	SECTION = LY (HB & VB)	COUNTY = DUPAGE/KANE	TOTAL SHEETS = 421	SHEET NO. = 195	
PLOT SCALE = 1:0.0833333	DRAWN - JDK	CHECKED - GEK	REVISD -			SHEET NO. 29 OF 67 SHEETS		CONTRACT NO. 60122		ILLINOIS FED. AID PROJECT	
PLOT DATE = 3/28/2012	CHECKED - GEK	REVISD -	REVISD -								