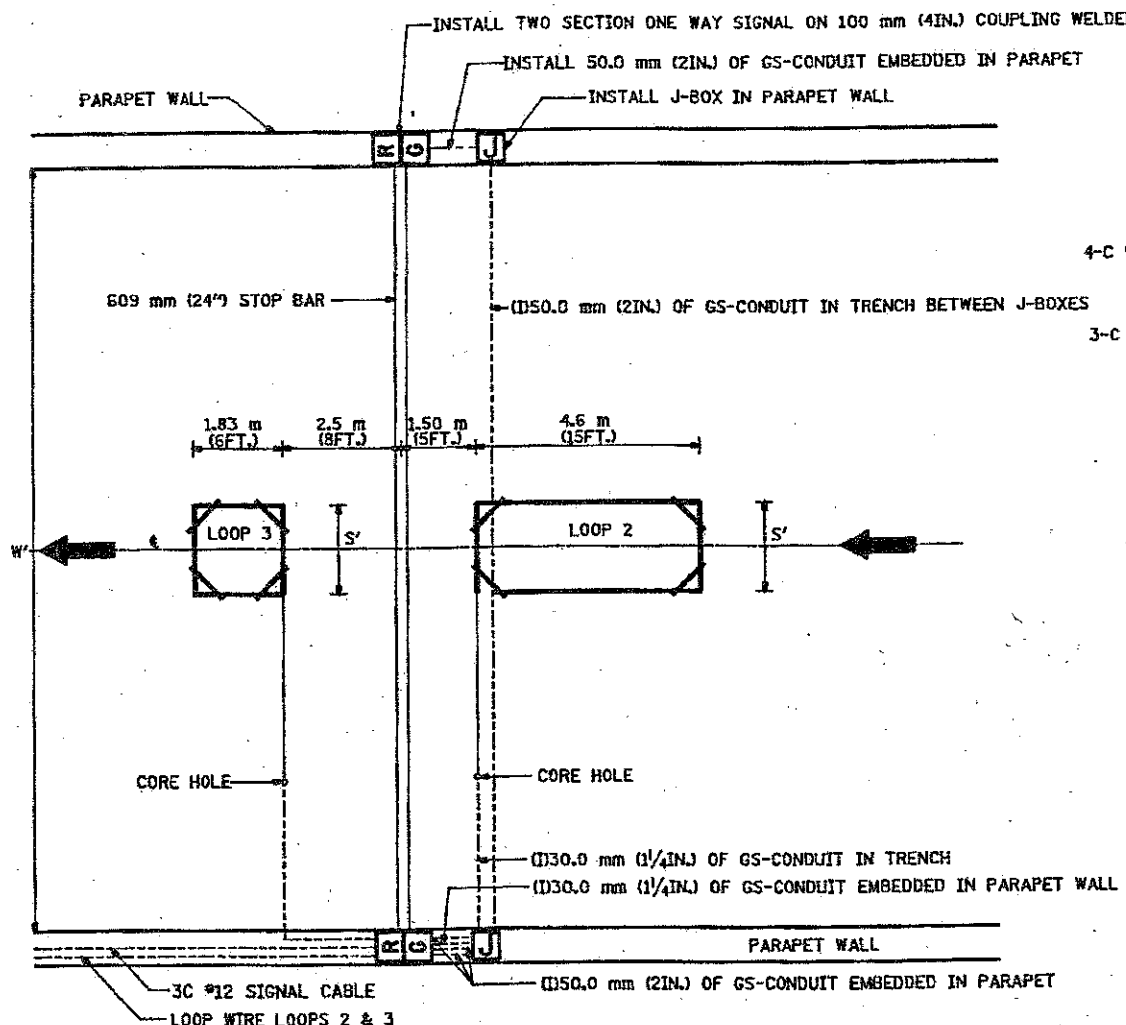
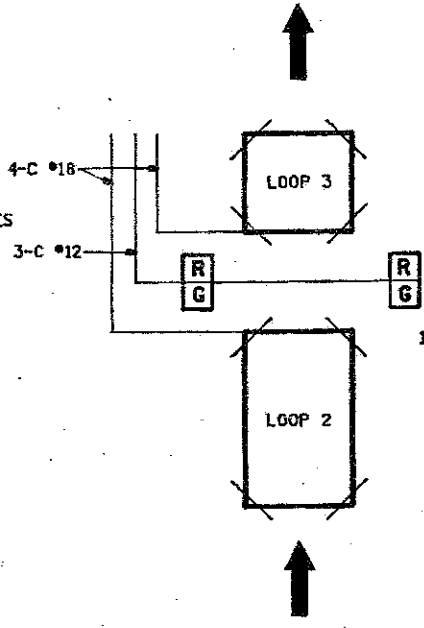


ROUTE	SECTION	COUNTY	TOTAL SHEETS	SHEET NUMBER
VARIOUS	2011-059-I	COOK	44	29

Contract 60P77



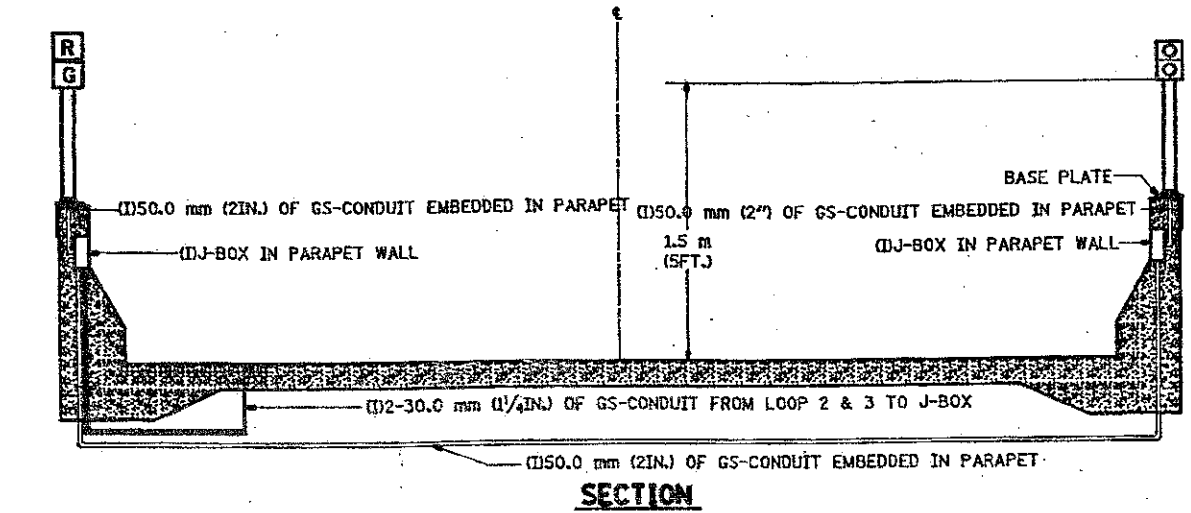
TYPICAL LOOP LAYOUT



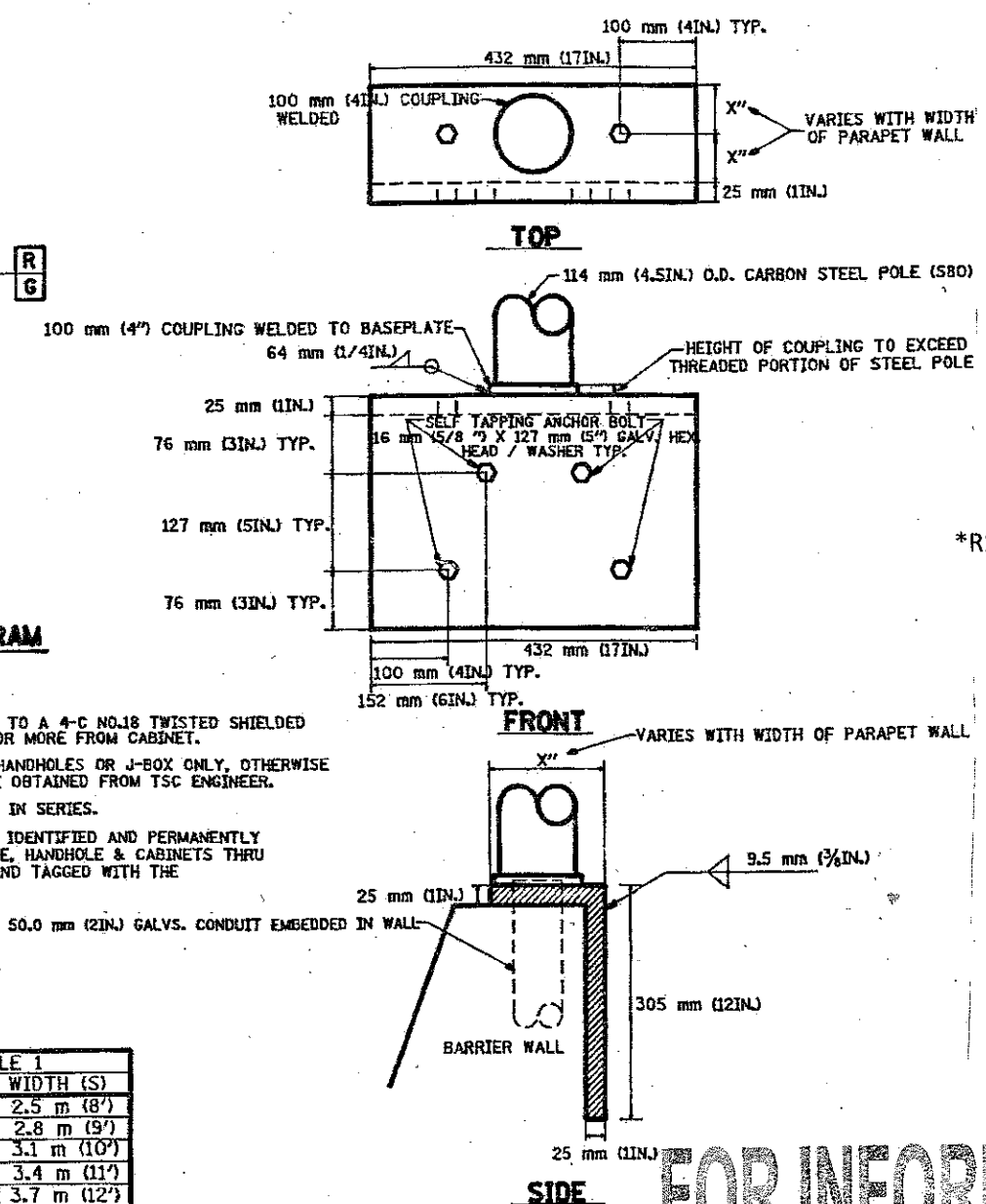
WIRING DIAGRAM

NOTES

1. EACH LOOP SHALL BE SPliced TO A 4-C NO.18 TWISTED SHIELDED LEAD IN WHEN 45 m (150FT.) OR MORE FROM CABINET.
2. LOOPS SHALL BE SPliced IN HANDHOLES OR J-BOX ONLY, OTHERWISE WRITTEN PERMISSION SHALL BE OBTAINED FROM TSC ENGINEER.
3. LOOPS SHALL NOT BE SPliced IN SERIES.
4. EACH LOOP LEAD IN SHALL BE IDENTIFIED AND PERMANENTLY COLOR CODED IN THE COREHOLE, HANDHOLE & CABINETS THRU WHICH THEY ENTER OR PASS AND TAGGED WITH THE CORRECT NOMENCLATURES.



SECTION



\* R10-6a

\*R10-6a PLATE TO BE MOUNTED ON THE SIGNAL POST

WIDTH (W)	WIDTH (S)
3.7 m (12')	2.5 m (8')
4.0 m (13')	2.8 m (9')
4.3 m (14')	3.1 m (10')
4.6 m (15')	3.4 m (11')
4.9 m (16')	3.7 m (12')
5.2 m (17')	4.0 m (13')
5.5 m (18')	4.3 m (14')
5.8 m (19')	4.6 m (15')
6.1 m (20')	4.9 m (16')
6.4 m (21')	5.2 m (17')
6.7 m (22')	5.5 m (18')
7.0 m (23')	5.8 m (19')
7.3 m (24')	6.1 m (20')
7.6 m (25')	6.4 m (21')

FOR INFORMATION ONLY

ILLINOIS DEPARTMENT OF TRANSPORTATION  
 LOCATION 16  
 I-94 (EDENS EXPY) EB  
 TOUHY AVE METERING INSTALLATION