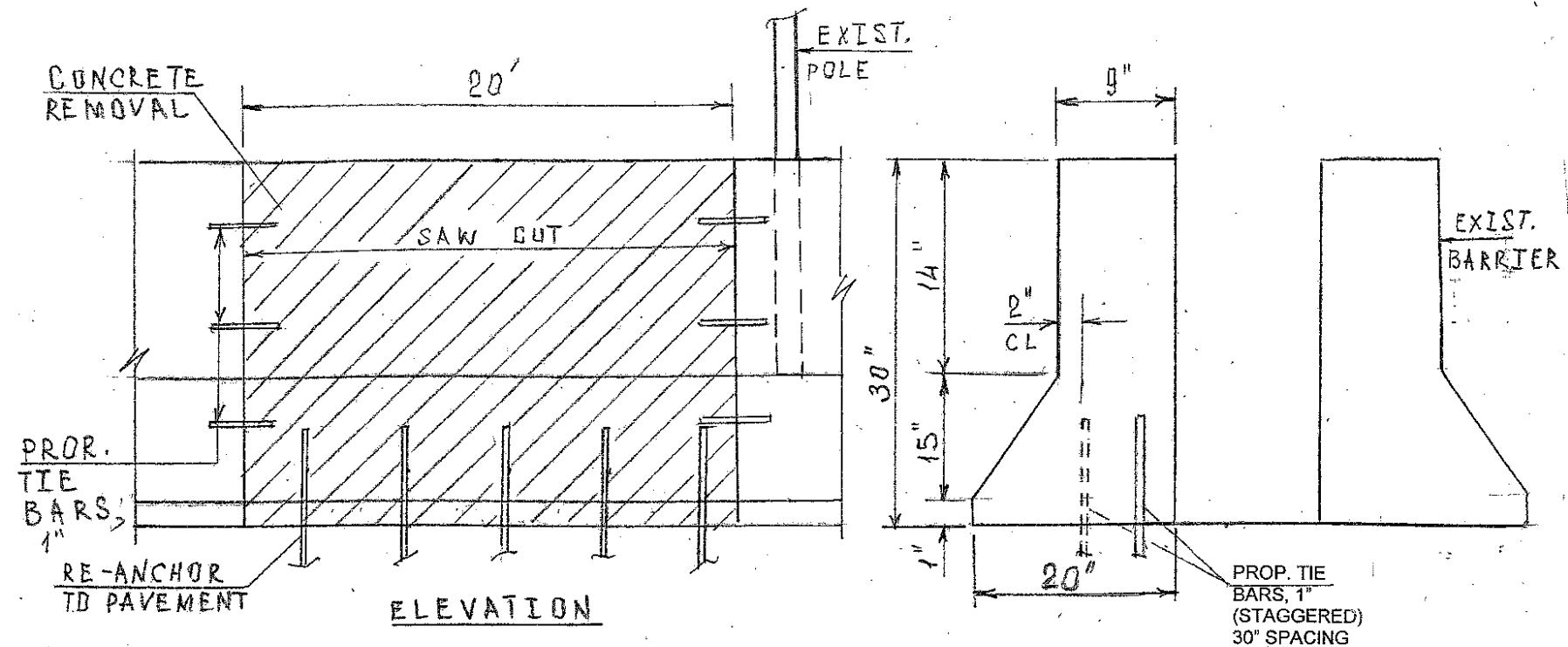
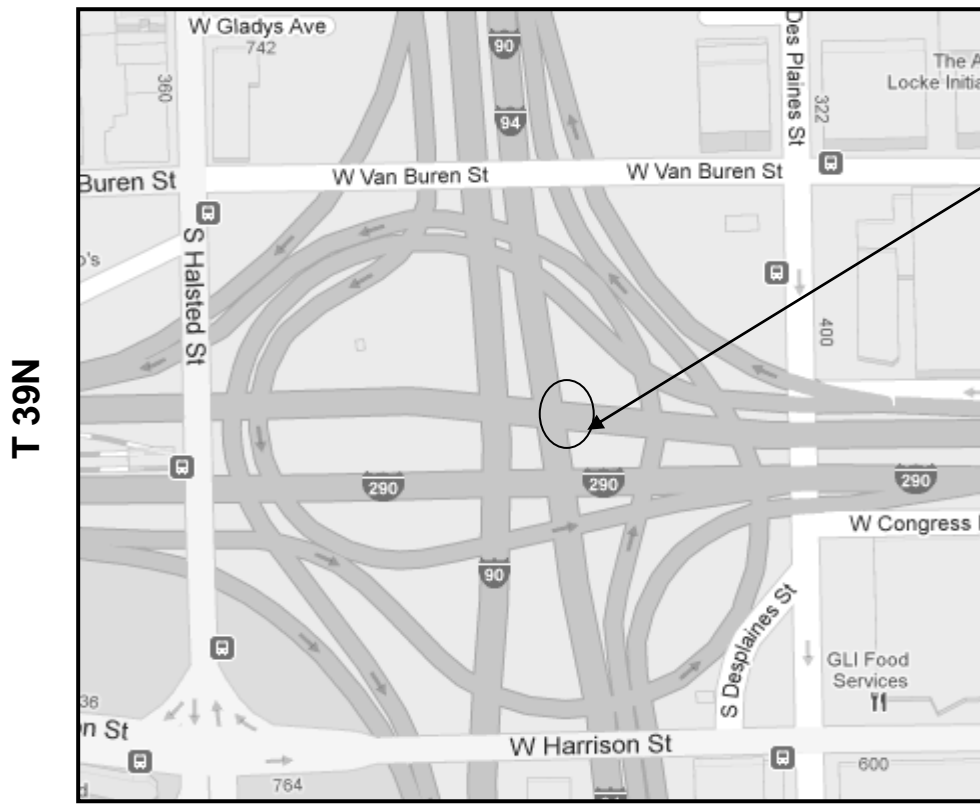


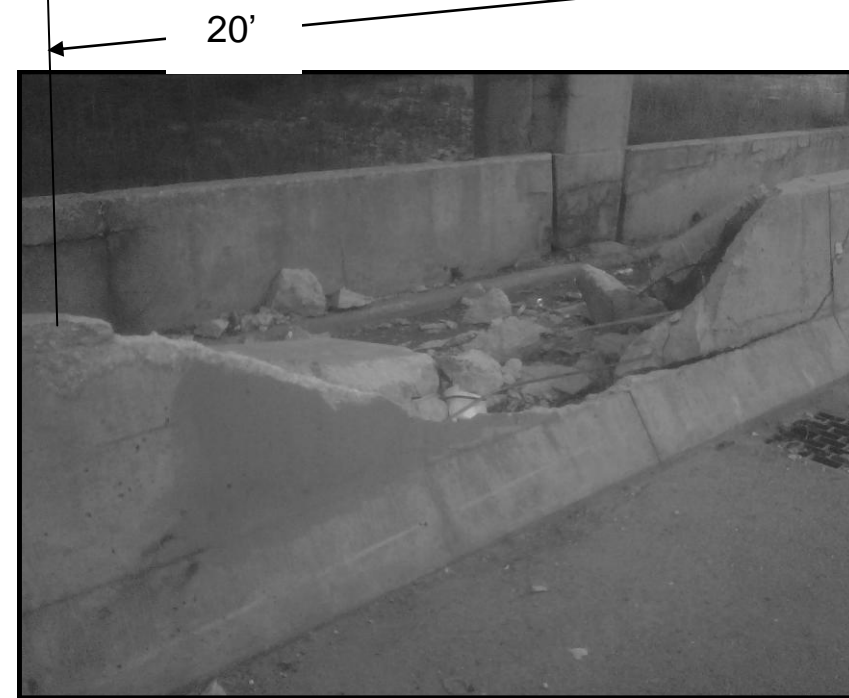
ROUTE	SECTION	COUNTY	TOTAL SHEETS	SHEET NUMBER
VARIOUS	2011-059-I	VARIOUS	44	32

Contract 60P77

LOCATION 19: I-90/94 (KENNEDY EXPY) WB
 UNDER WB I-290 (CONGRESS EXPY BRIDGE),
 RIGHT SIDE



CITY OF CHICAGO
 WEST CHICAGO TOWNSHIP
 COOK COUNTY



FULL DEPTH BARRIER REPAIR
 FOR MORE DETAILS SEE SHEET # 8

BILL OF MATERIALS

ITEM	UNIT	QUANTITY
CONCRETE REMOVAL	CU YD	1.9
CONCRETE STRUCTURE	CU YD	1.9
TIE BARS	EACH	14
SAW CUTS	FOOT	5.0
PROTECTIVE COAT		8.0

THE CONTACTOR SHALL EXERCISE CAUTION NOT TO
 DAMAGE EXISTING POLE.

TRAFFIC DATA:

I-90/94: SPEED LIMIT = 55 MPH
 2009 ADT = 191900

ILLINOIS DEPARTMENT OF TRANSPORTATION

 LOCATION: 19
 I-90/94 (KENNEDY EXPY)
 UNDER WB I-290 (CONGRESS EXPY BRIDGE)