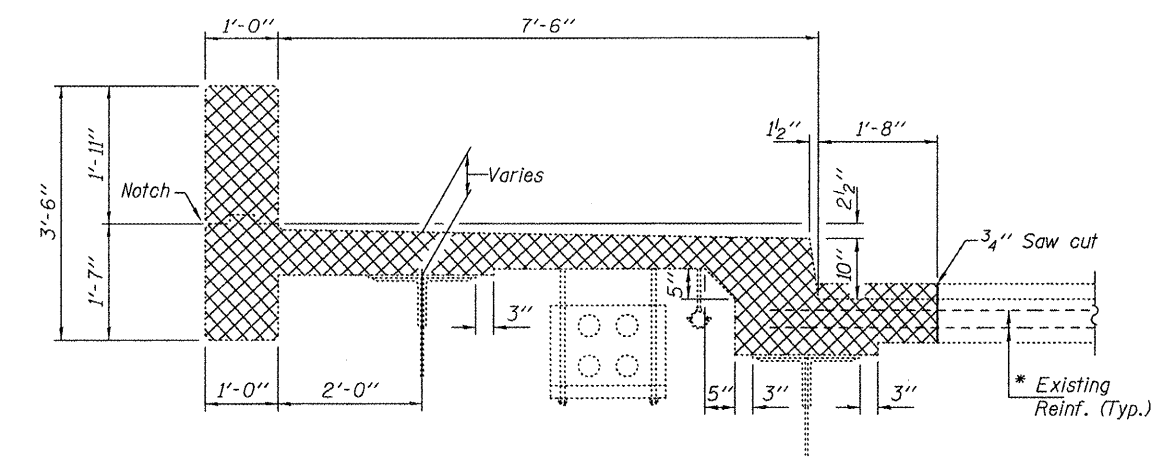


SECTION A-A

* Existing reinforcement bars extending into the removal area shall be cleaned, straightened and incorporated into the new construction. Any reinforcement bars that are damaged during concrete removal shall be replaced with an approved bar splicer or anchorage system. Cost Included with Concrete Removal.



SECTION B-B

CONCRETE REMOVAL PLAN

* Concrete removal shall end at the vertical face of the existing concrete parapet.

- Indicates areas of Concrete Removal for joint replacement.
- Indicates areas of Concrete Removal for sidewalk replacement.

DESIGNED - MKC	EXAMINED - <i>Joanne F. Schuff</i>	DATE - MAY 9, 2012
CHECKED - ADY	ACTING ENGINEER OF STRUCTURAL SERVICES	
DRAWN - Kyle M. Steffen	PASSED - <i>Carl Sawyer</i>	
CHECKED - MKC ADY	ACTING ENGINEER OF BRIDGES AND STRUCTURES	

**STATE OF ILLINOIS
DEPARTMENT OF TRANSPORTATION**

**CONCRETE REMOVAL DETAILS
SN 016-0235**

SHEET NO. 3 OF 10 SHEETS

F.A.I. RTE. 290	SECTION 3-B-10BR(11)	COUNTY COOK	TOTAL SHEETS 26	SHEET NO. 12
CONTRACT NO. 60T39				
ILLINOIS FED. AID PROJECT				