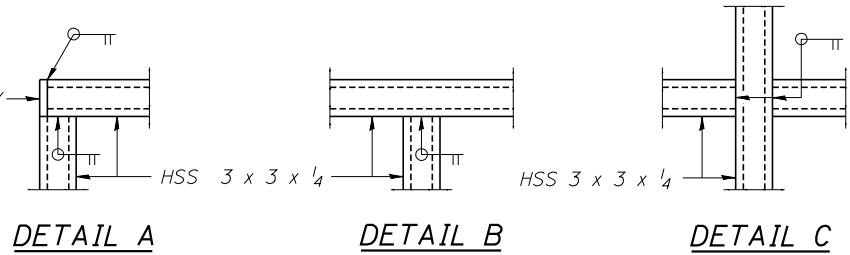


**ELEVATION**  
(Inside Face)

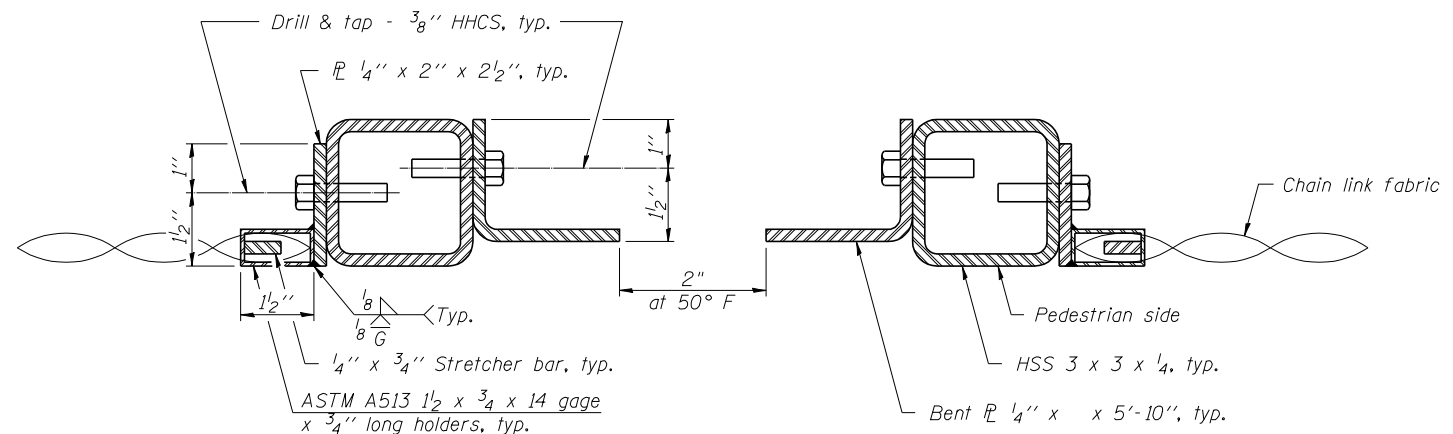
**ELEVATION**  
(At Expansion Joint)

\* See plans for edge distance

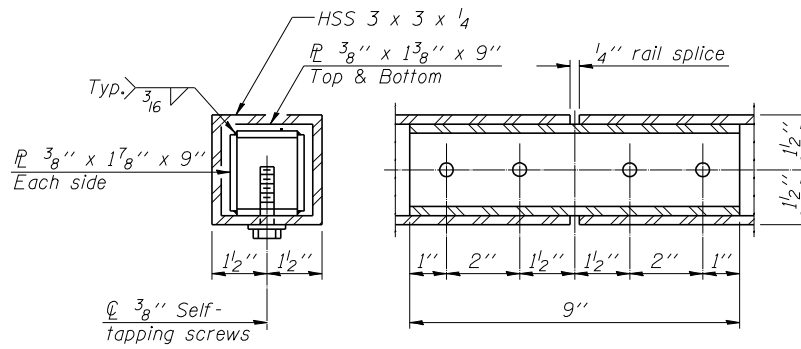


**DETAIL A**      **DETAIL B**      **DETAIL C**

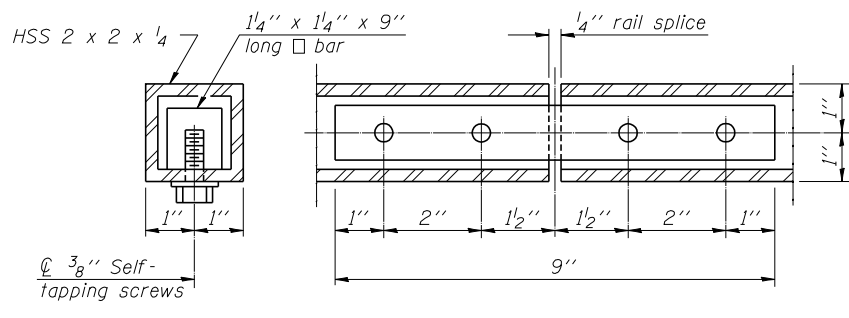
**NOTES:**  
1. All steel rail elements shall be galvanized according to Article 509.05 of the Standard Specifications.



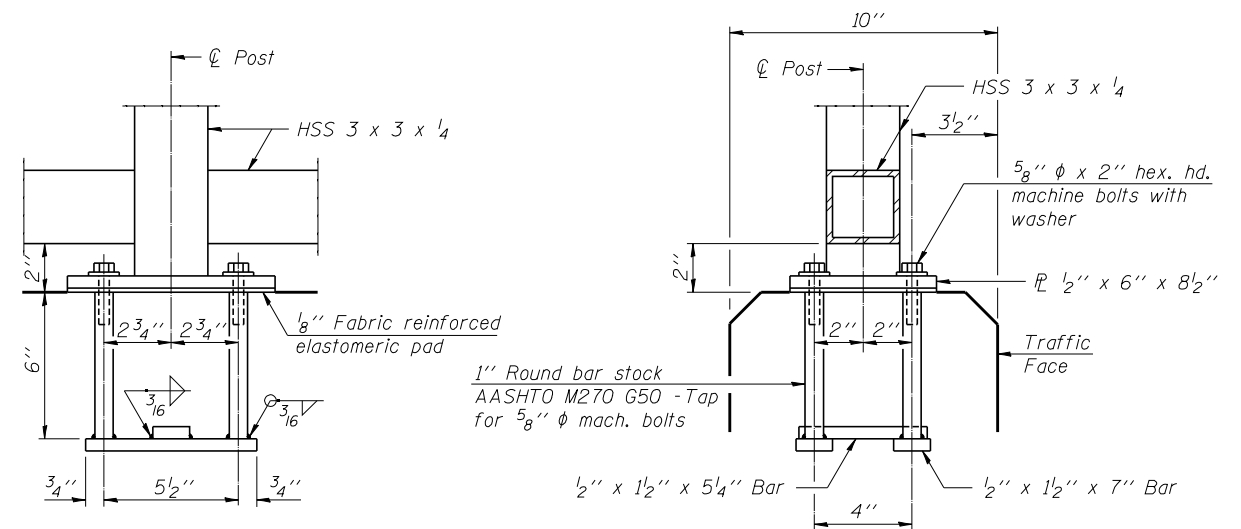
**SECTION A-A**



**RAIL SPLICE**

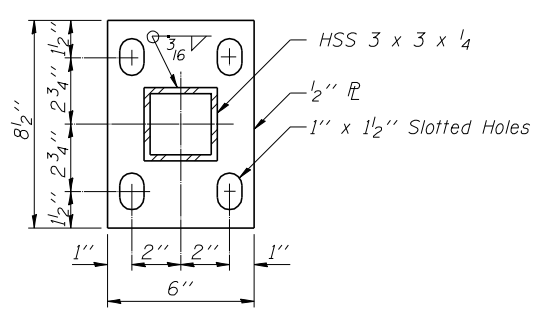


**HANDRAIL SPLICE**

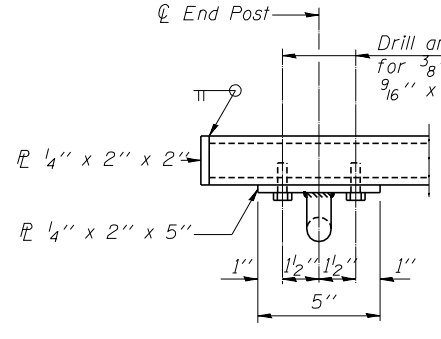


**ANCHOR BOLT DETAILS**

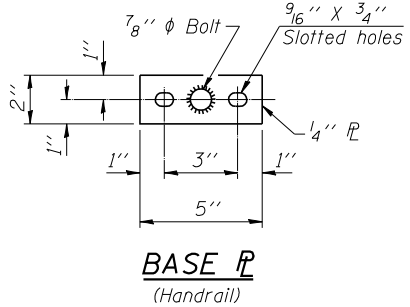
In lieu of the cast-in-place anchor device shown, the Contractor has the option of drilling and setting 5/8" anchor rods according to Article 509.06 of the Standard Specifications. Embedment shall be according to the manufacturer's specifications.



**BASE PL**



**HANDRAIL DETAIL**



**BASE PL**  
(Handrail)

**BILL OF MATERIAL**

Item	Unit	Quantity
Bridge Fence Railing	Foot	261

R-28      7-1-10      (10'-0" Maximum Post Spacing)

<b>TYLIN INTERNATIONAL</b>	USER NAME =	DESIGNED - PK	REVISED -
	PLOT SCALE =	CHECKED - SP	REVISED -
	PLOT DATE =	DRAWN - PK	REVISED -
		CHECKED - SP	REVISED -

**STATE OF ILLINOIS**  
**DEPARTMENT OF TRANSPORTATION**

**BRIDGE FENCE RAILING, PARAPET MOUNTED**  
**STRUCTURE NO. 099-0526**

SHEET NO. 14 OF 35 SHEETS

F.A.I. RTE.	SECTION	COUNTY	TOTAL SHEETS	SHEET NO.
57	99-1HB-R	WILL	63	36
			CONTRACT NO. 60T40	
ILLINOIS FED. AID PROJECT				