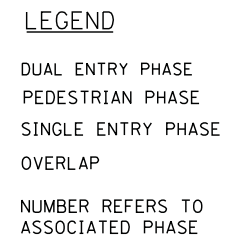
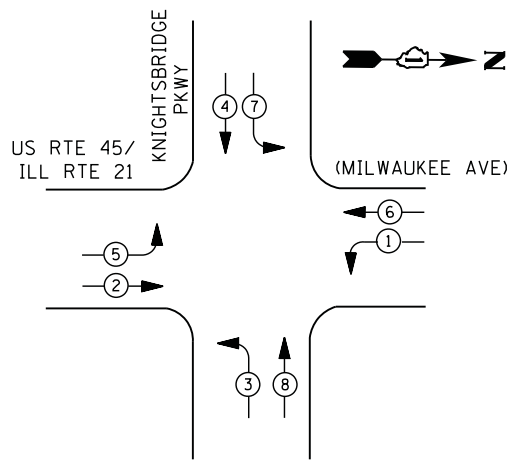
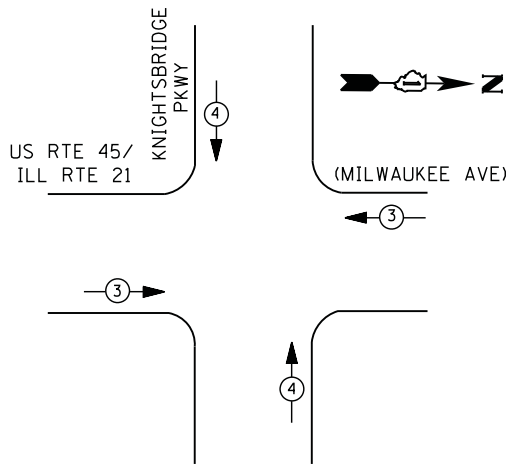


CONTROLLER SEQUENCE



PHASE DESIGNATION DIAGRAM



EMERGENCY VEHICLE PREEMPTION SEQUENCE

EMERGENCY VEHICLE PREEMPTORS		
EMERGENCY VEHICLE PREEMPTOR	3	4
MOVEMENT	← →	↑ ↓

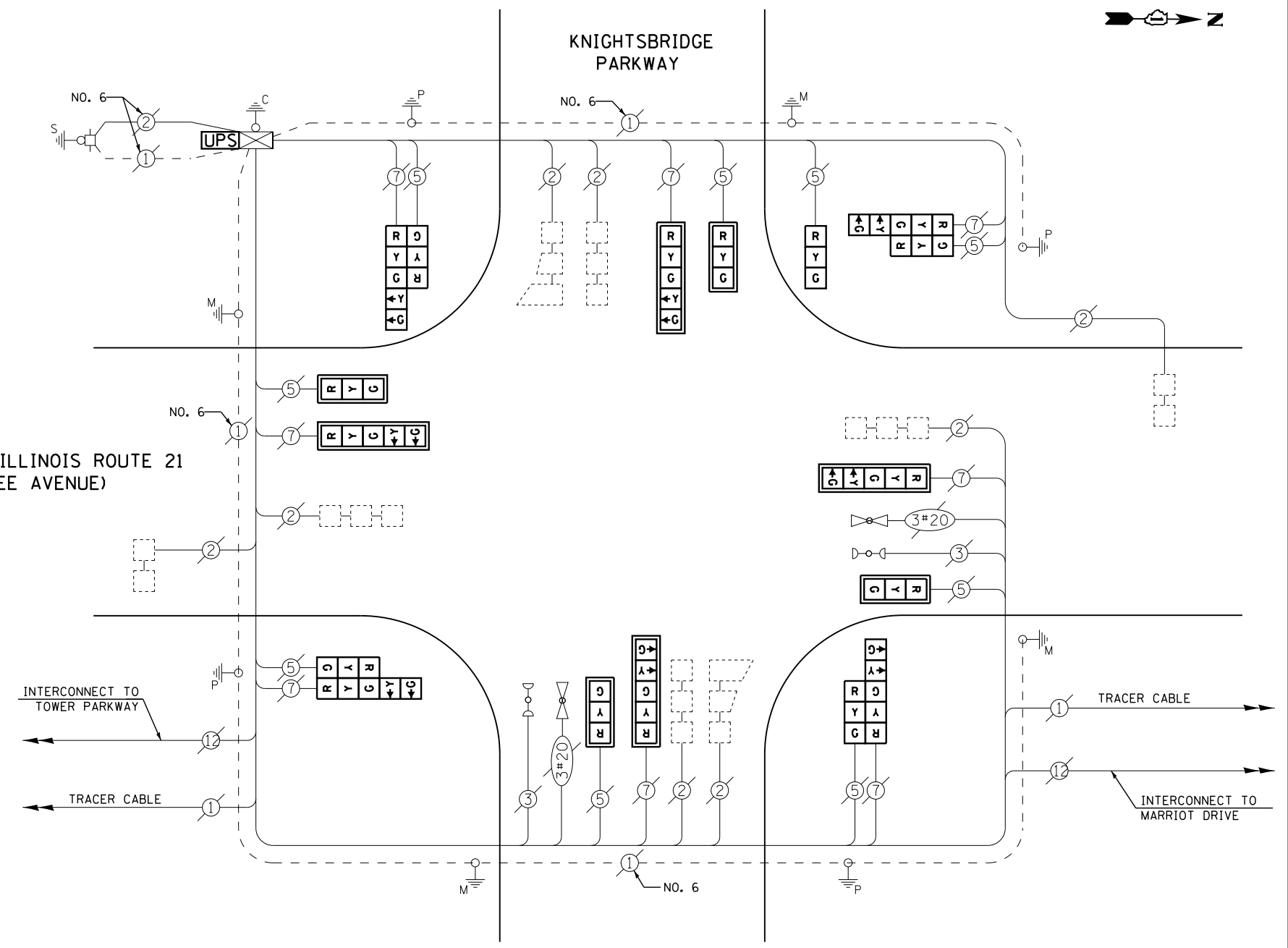
**I. D. O. T.
 TRAFFIC SIGNAL INSTALLATION
 ELECTRICAL SERVICE REQUIREMENTS**

TYPE	NO. LAMPS	WATTAGE		% OPERATIONS	TOTAL WATTAGE
		INCAND.	LED		
SIGNAL (RED)	17	135	17	0.50	145
(YELLOW)	17	135	25	0.25	106
(GREEN)	17	135	15	0.25	64
ARROW	16	135	12	0.10	19
PED. SIGNAL	0	90	25	1.00	--
CONTROLLER	1	100	100	1.00	100
ILLUM. SIGN		252	25	0.05	--
VIDEO SYSTEM		150	-	1.00	--
TOTAL =					434

ENERGY COSTS- **BILLED TO: VILLAGE OF LINCOLNSHIRE**
 1 OLDE HALF DAY RD.
 LINCOLNSHIRE, IL 60069

ENERGY SUPPLY - CONTACT **TERRI BLECK**
 PHONE 847-816-5239
 COMMONWEALTH EDISON

**U.S. ROUTE 45/ILLINOIS ROUTE 21
 (MILWAUKEE AVENUE)**



CABLE PLAN

SCHEDULE OF QUANTITIES

QUANTITY	UNIT	ITEM
1	EACH	MAINTENANCE OF EXISTING TRAFFIC SIGNAL INSTALLATION
1	EACH	SIGNAL HEAD, LED, 1-FACE, 3-SECTION, MAST-ARM MOUNTED
1	EACH	SIGNAL HEAD, LED, 1-FACE, 3-SECTION, BRACKET MOUNTED
4	EACH	SIGNAL HEAD, LED, 1-FACE, 5-SECTION, MAST-ARM MOUNTED
4	EACH	SIGNAL HEAD, LED, 2-FACE, 1-3 SECTION, 1-5 SECTION, BRACKET MOUNTED
8	EACH	TRAFFIC SIGNAL BACKPLATE, LOUVERED, ALUMINUM
1	EACH	MODIFY EXISTING CONTROLLER CABINET
1	EACH	REMOVE EXISTING TRAFFIC SIGNAL EQUIPMENT
1	EACH	UNINTERRUPTABLE POWER SUPPLY, SPECIAL

REMOVAL OF EXISTING TRAFFIC SIGNAL EQUIPMENT

THE FOLLOWING ITEMS SHALL BE REMOVED BY THE CONTRACTOR AND SHALL BE DISPOSED OF BY THEM OUTSIDE THE RIGHT-OF-WAY AT THEIR EXPENSE. THE SALVAGE VALUE OF THE REMOVED EQUIPMENT SHALL BE REFLECTED IN THE CONTRACT BID PRICE.

9	EACH	SIGNAL HEAD, 3 - SECTION
8	EACH	SIGNAL HEAD, 5 - SECTION
8	EACH	TRAFFIC SIGNAL BACKPLATE

FILE NAME =	USER NAME = *USER*	DESIGNED -	DW	REVISED -	
N:\Projects\312004\DesignCAD\Sheet Files\12-001 Sheets SE Lake Co\06665_CAB.LAKE.dgn		DRAWN -	JDH	REVISED -	
	PLOT SCALE = *SCALE*	CHECKED -	KMM	REVISED -	
	PLOT DATE = 3/28/2012	DATE -		REVISED -	

**STATE OF ILLINOIS
 DEPARTMENT OF TRANSPORTATION**

**U.S. RTE. 45 /IL RTE. 21 & KNIGHTSBRIDGE PKWY.- CABLE PLAN,
 SCHEDULE OF QUANTITIES, PHASE DESIGN. DIAGRAM & EVP SEQUENCE**

SCALE: N.T.S. SHEET NO. OF SHEETS STA. TO STA.

F.A. RTE.	SECTION	COUNTY	TOTAL SHEETS	SHEET NO.
	2012-003 I	LAKE	102	30
CONTRACT NO. 60T41				
ILLINOIS FED. AID PROJECT				

TS# 6665
 LINCOLNSHIRE