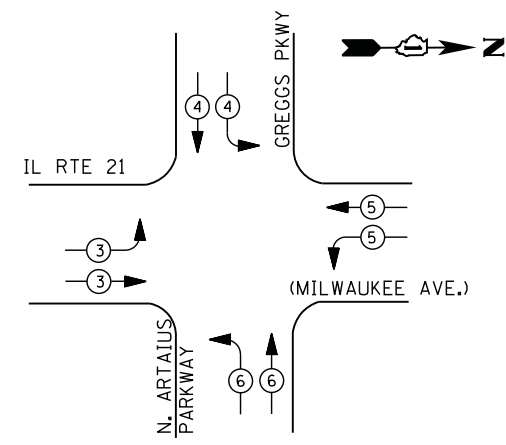


PHASE DESIGNATION DIAGRAM



EMERGENCY VEHICLE PREEMPTION SEQUENCE

EMERGENCY VEHICLE PREEMPTORS				
EMERGENCY VEHICLE PREEMPTOR	3	4	5	6
MOVEMENT	→ →	↓ ↓	← ←	↑ ↑

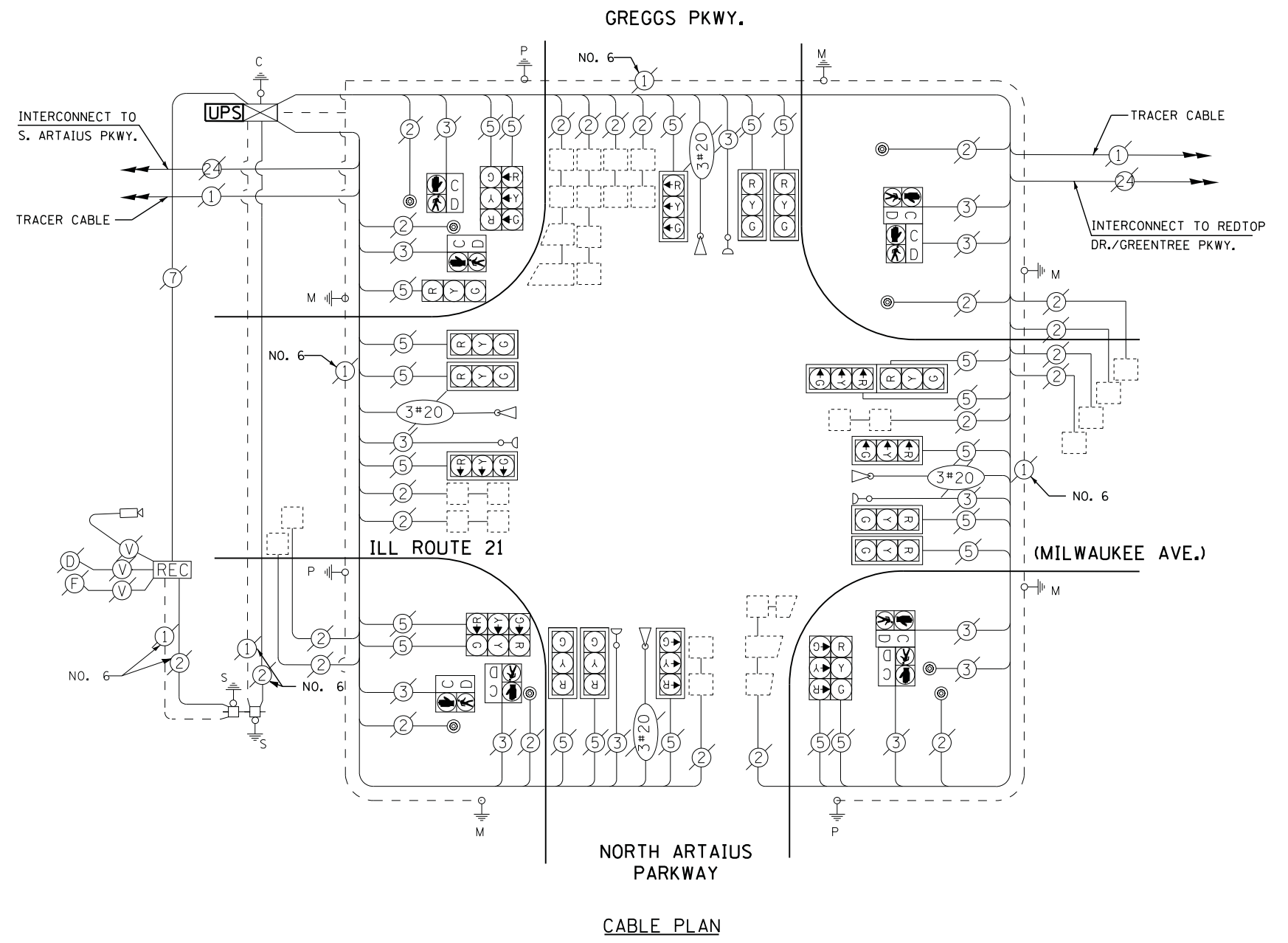
I. D. O. T. TRAFFIC SIGNAL INSTALLATION ELECTRICAL SERVICE REQUIREMENTS					
TYPE	NO. LAMPS	WATTAGE		% OPERATIONS	TOTAL WATTAGE
		INCAND.	LED		
SIGNAL (RED)	21	135	17	0.50	179
(YELLOW)	21	135	25	0.25	131
(GREEN)	21	135	15	0.25	79
ARROW	--	135	12	0.10	--
PED. SIGNAL	8	90	25	1.00	200
CONTROLLER	1	100	100	1.00	100
ILLUM. SIGN		252	25	0.05	--
VIDEO SYSTEM		150	-	1.00	--
TOTAL =					689

ENERGY COSTS- BILLED TO: VILLAGE OF VERNON HILLS
 290 EVERGREEN DR.
 VERNON HILLS, IL 60061

ENERGY SUPPLY - CONTACT TERRI BLECK
 PHONE 847-816-5239
 COMMONWEALTH EDISON

SCHEDULE OF QUANTITIES

QUANTITY	UNIT	ITEM
1	EACH	MAINTENANCE OF EXISTING TRAFFIC SIGNAL INSTALLATION
1	EACH	MODIFY EXISTING CONTROLLER CABINET
1	EACH	UNINTERRUPTABLE POWER SUPPLY, SPECIAL



CABLE PLAN

DUE TO THE PRESENCE OF A RED LIGHT RUNNING (RLR) CAMERA WITHIN THE PROJECT LIMITS, CONTRACTOR SHALL NOTIFY THE VILLAGE OF LIBERTYVILLE AND GATSO USA, INC. PRIOR TO THE START OF CONSTRUCTION.

VILLAGE OF LIBERTYVILLE
 200 W. COOK AVENUE
 LIBERTYVILLE, IL 60048
 847-918-2100

GATSO USA, INC.
 900 CUMMINGS CENTER, SUITE 321-U
 BEVERLY, MA 01915
 978-922-7294

THE VILLAGE OF LIBERTYVILLE OR GATSO USA, INC. SHALL MAKE THE RLR CAMERA INOPERATIVE FOR THE TIME OF CONSTRUCTION. ANY RLR CAMERA EQUIPMENT THAT IS IN CONFLICT WITH THE PROPOSED CONSTRUCTION SHALL BE REMOVED BY ITS RESPECTIVE OWNERS PRIOR TO THE START OF CONSTRUCTION.

TS# 14018
 VERNON HILLS/LIBERTYVILLE