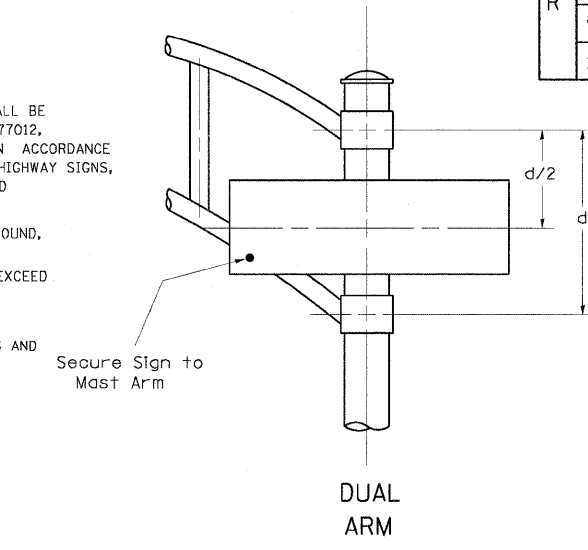


A	B	C
18"	2"	12"
30"	2"	22"



NOTE: SIGN DIMENSIONS ARE IN ENGLISH UNITS

GENERAL NOTES

- WHERE MAST ARM MOUNTED STREET NAME SIGNS ARE SPECIFIED, THE MAST ARM ASSEMBLY AND POLES SHALL BE DESIGNED TO SUPPORT THE LOADINGS CALLED FOR ON STANDARDS 877001, 877002, 877006, 877011 AND 877012, AS APPLICABLE, PLUS TWO (2) SIGN PANELS 2'-6" x 8'-0" MOUNTED AS SHOWN. THE DESIGN SHALL BE IN ACCORDANCE WITH THE REQUIREMENTS OF THE CURRENT "STANDARD SPECIFICATIONS FOR STRUCTURAL SUPPORTS FOR HIGHWAY SIGNS, LUMINAIRES, AND TRAFFIC SIGNALS" AS PUBLISHED BY THE AMERICAN ASSOCIATION OF STATE HIGHWAY AND TRANSPORTATION OFFICIALS FOR 80 M.P.H. WIND VELOCITY.
- ALL SIGNS SHALL HAVE A WHITE REFLECTORIZED LEGEND AND BORDER ON A GREEN REFLECTORIZED BACKGROUND, TYPE A SHEETING.
- THE SIGN LENGTH SHOULD BE INCREASED IN 6-INCH INCREMENTS, BUT THE OVERALL LENGTH SHOULD NOT EXCEED 8'-0".
- ALL BORDERS SHALL BE 3/4" WIDE AND CORNER RADIUS SHALL BE 2-1/4".
- SIGNFIX ALUMINUM CHANNEL FRAMING SYSTEM SHALL BE USED FOR ALL SIGNS ATTACHED TO SIGNAL POLES AND POSTS. LOCAL SUPPLIERS OF THE SIGNFIX ALUMINUM CHANNEL FRAMING SYSTEM ARE:

* J.O. HERBERT CO. MIDLOTHIAN, VA. * WESTERN REMAC INC. WOODRIDGE, IL.

PARTS LISTING:
SIGN CHANNEL PART *HPN053 (MED. CHANNEL)
SIGN SCREWS 1/4" x 14 x 1" H.W.H. #3
BRACKETS SELF TAPPING WITH NEOPRENE WASHER
CHANNEL CLAMPS WITH STAINLESS STEEL STRAPPING

OTHER BRANDS OF MOUNTING HARDWARE ARE ACCEPTABLE, BASED UPON THE DEPARTMENT'S APPROVAL AND COMPATIBILITY WITH THE CHANNEL/BACKET OF THE ABOVE PRODUCT.

SIGNFIX ALUMINUM CHANNEL FRAMING SYSTEM shall be used. See Note #5.

Upper Case To Lower Case
Spacing Chart 8-6 Inch Series "C & D"

		SECOND LETTER															
		acde		bhikl		f w		j		s t		v y		x		z	
SERIES		C	D	C	D	C	D	C	D	C	D	C	D	C	D	C	D
FIRST LETTER	A W X	12	14	14	15	12	14	06	10	11	14	06	10	11	12	12	14
	B	14	15	20	21	14	15	11	12	14	15	12	14	12	14	16	17
	C E G	14	15	20	21	12	14	06	10	12	14	12	14	14	15	14	15
	D O Q R	14	15	20	21	14	15	06	10	12	14	12	14	14	15	14	15
	F	05	06	14	15	06	10	05	06	06	10	06	10	06	10	11	12
	H I M N	20	21	22	24	20	21	14	15	16	17	16	17	20	21	20	21
	J U	20	21	20	21	16	17	14	15	16	17	16	17	16	17	20	21
	K L	11	12	16	17	11	12	05	06	11	12	11	12	11	12	12	14
	P	12	14	14	15	12	14	05	06	11	12	11	12	12	14	12	14
	S	12	14	16	17	12	14	06	10	12	14	12	14	12	14	12	14
	T	11	12	16	17	06	10	06	10	11	12	11	12	11	12	12	14
	V	06	10	14	15	11	12	06	10	12	14	12	14	12	14	12	14
	Y	05	06	14	15	06	10	05	06	05	07	05	06	06	10	11	12
	Z	16	17	22	24	16	17	12	14	16	17	16	17	16	17	20	21

Lower Case To Lower Case
Spacing Chart 6 Inch Series "C & D"

		SECOND LETTER															
		acde		bhikl		f w		j		s t		v y		x		z	
SERIES		C	D	C	D	C	D	C	D	C	D	C	D	C	D	C	D
FIRST LETTER	adhgi j	16	17	22	24	16	17	12	14	14	15	14	15	16	17	16	17
	lmnqu																
	b f k o p s	12	14	16	17	11	12	05	06	11	12	11	12	12	14	12	14
	c e	12	14	16	17	12	14	06	10	12	14	12	14	12	14	12	14
	r	06	10	12	14	06	10	03	03	05	06	05	06	06	10	06	10
	t z	12	14	16	17	12	14	06	10	11	12	11	12	12	14	12	14
	v y	11	12	14	15	11	12	05	06	06	10	06	10	11	12	11	12
	w	11	12	14	15	11	12	05	06	11	12	11	12	11	12	12	14
	x	12	14	16	17	11	12	05	06	11	12	11	12	11	12	12	14

Number To Number
Spacing Chart 8 Inch Series "C & D"

		SECOND NUMBER																			
		0		1		2		3		4		5		6		7		8		9	
SERIES		C	D	C	D	C	D	C	D	C	D	C	D	C	D	C	D	C	D	C	D
FIRST NUMBER	0 9	16	17	16	17	14	15	12	14	14	15	14	15	16	17	12	14	16	17	16	17
	1	20	21	20	21	20	21	16	17	14	15	20	21	20	21	14	15	20	21	20	21
	2 3 4	14	15	14	15	14	15	12	14	14	15	14	15	11	12	16	17	14	15		
	5	14	15	14	15	14	15	11	12	11	12	14	15	14	15	11	12	14	15	14	15
	6	16	17	14	15	14	15	12	15	12	14	14	15	14	15	11	12	14	15	14	15
	7	12	14	12	14	14	15	12	15	05	06	12	14	14	15	11	12	14	15	12	14
	8	16	17	16	17	14	15	12	15	12	14	14	15	16	17	12	14	16	17	14	15

EXAMPLE, 2³ DENOTES 3/8"

UPPER AND LOWER CASE LETTER WIDTHS

LETTERS	6 INCH UPPER CASE LETTERS		8 INCH UPPER CASE LETTERS		LETTERS	6 INCH LOWER CASE LETTERS	
	SERIES		SERIES			SERIES	
	C	D	C	D		C	D
A	36	50	50	65	a	35	42
B	32	40	43	53	b	35	42
C	32	40	43	53	c	35	41
D	32	40	43	53	d	35	42
E	30	35	40	47	e	35	42
F	30	35	40	47	f	23	26
G	32	40	43	53	g	35	42
H	32	40	43	53	h	35	42
I	07	07	11	12	i	11	11
J	30	36	40	50	j	20	22
K	32	41	43	54	k	35	42
L	30	35	40	47	l	11	11
M	37	45	51	61	m	60	70
N	32	40	43	53	n	35	42
O	34	42	45	55	o	36	43
P	32	40	43	53	p	35	42
Q	34	42	45	55	q	35	42
R	32	40	43	53	r	26	32
S	32	40	43	53	s	36	42
T	30	35	40	47	t	27	32
U	32	40	43	53	u	35	42
V	35	44	47	60	v	42	47
W	44	52	60	70	w	55	64
X	34	40	45	53	x	44	51
Y	36	50	50	66	y	46	53
Z	32	40	43	53	z	36	43

NUMBER	6 INCH SERIES		8 INCH SERIES	
	C	D	C	D
1	12	14	15	20
2	32	40	43	53
3	32	40	43	53
4	35	43	47	57
5	32	40	43	53
6	32	40	43	53
7	32	40	43	53
8	32	40	43	53
9	32	40	43	53
0	34	42	45	55

Engineering Enterprises, Inc. CONSULTING ENGINEERS
52 Wheeler Road
Sugar Grove, Illinois 60054
630.466.6700 / www.eeiweb.com

USER NAME = bouwerd	DESIGNED - DAG/BCK	REVISED - DAG 10/28/09
Plot Scale = 49.9999 1/8 IN.	DRAWN - BCK	REVISED -
Plot Date = 11/4/2009	CHECKED - DAG/DAD	REVISED -
	DATE - 03-15-09	REVISED -

STATE OF ILLINOIS
DEPARTMENT OF TRANSPORTATION

DISTRICT ONE
MAST ARM MOUNTED STREET NAME SIGNS

PROJECT NO. M-9003(717)	JOB NO. C-91-161-11	F.A.P. RTE. 326	SECTION 10-00023-00-ES	COUNTY KANE	TOTAL SHEETS 70	SHEET NO. 40
SCALE: NONE	SHEET NO. 1 OF 1 SHEETS	STA. N/A	TO STA. N/A	CONTRACT NO. 63700		
FED. ROAD DIST. NO. 1 (ILLINOIS) FED. AID PROJECT						