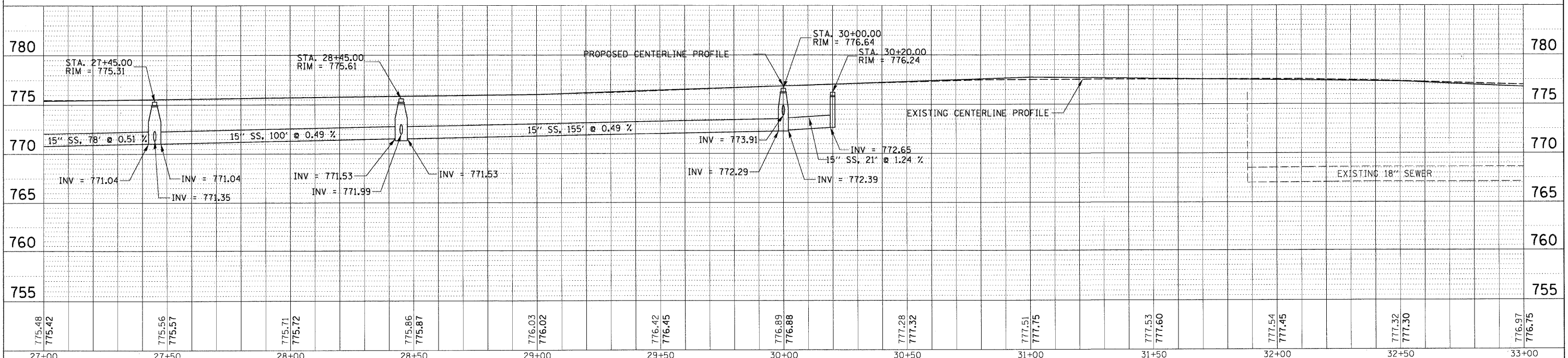
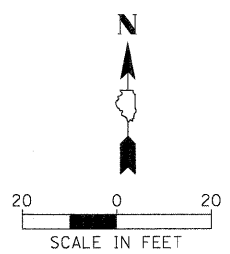
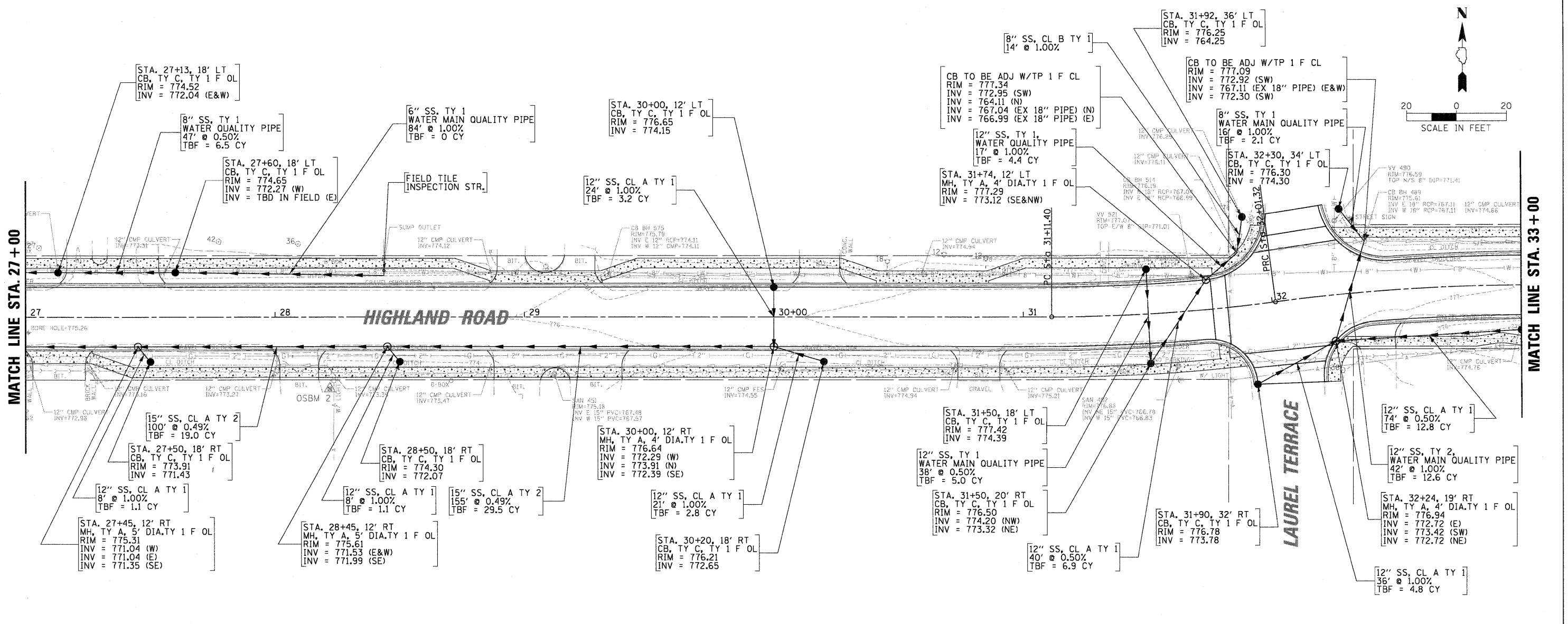


DATE	
BY	
REVISIONS	
1	PLANNING
2	DESIGN
3	CONSTRUCTION
4	AS-BUILT
5	
6	
7	
8	
9	
10	
11	
12	
13	
14	
15	
16	
17	
18	
19	
20	
21	
22	
23	
24	
25	
26	
27	
28	
29	
30	
31	
32	
33	
34	
35	
36	
37	
38	
39	
40	
41	
42	
43	
44	
45	
46	
47	
48	
49	
50	

DATE	
BY	
REVISIONS	
1	PLANNING
2	DESIGN
3	CONSTRUCTION
4	AS-BUILT
5	
6	
7	
8	
9	
10	
11	
12	
13	
14	
15	
16	
17	
18	
19	
20	
21	
22	
23	
24	
25	
26	
27	
28	
29	
30	
31	
32	
33	
34	
35	
36	
37	
38	
39	
40	
41	
42	
43	
44	
45	
46	
47	
48	
49	
50	



FILE NAME = DPP_HIGHLAND-04.sht	USER NAME = mvorderer	DESIGNED - SNS	REVISED -	STATE OF ILLINOIS DEPARTMENT OF TRANSPORTATION	DRAINAGE PLAN AND PROFILE HIGHLAND ROAD			F.A.U. RTE. 204	SECTION 12-00060-00-WR	COUNTY LAKE	TOTAL SHEETS 50	SHEET NO. 19
DATE = 3/27/2012	CHECKED - MEK	REVISOR -	SCALE: 1" = 20'		SHEET NO. OF SHEETS	STA. TO STA.	CONTRACT NO. 63712					
	DATE = 09/02/2011	REVISOR -	ILLINOIS FED. AID PROJECT									