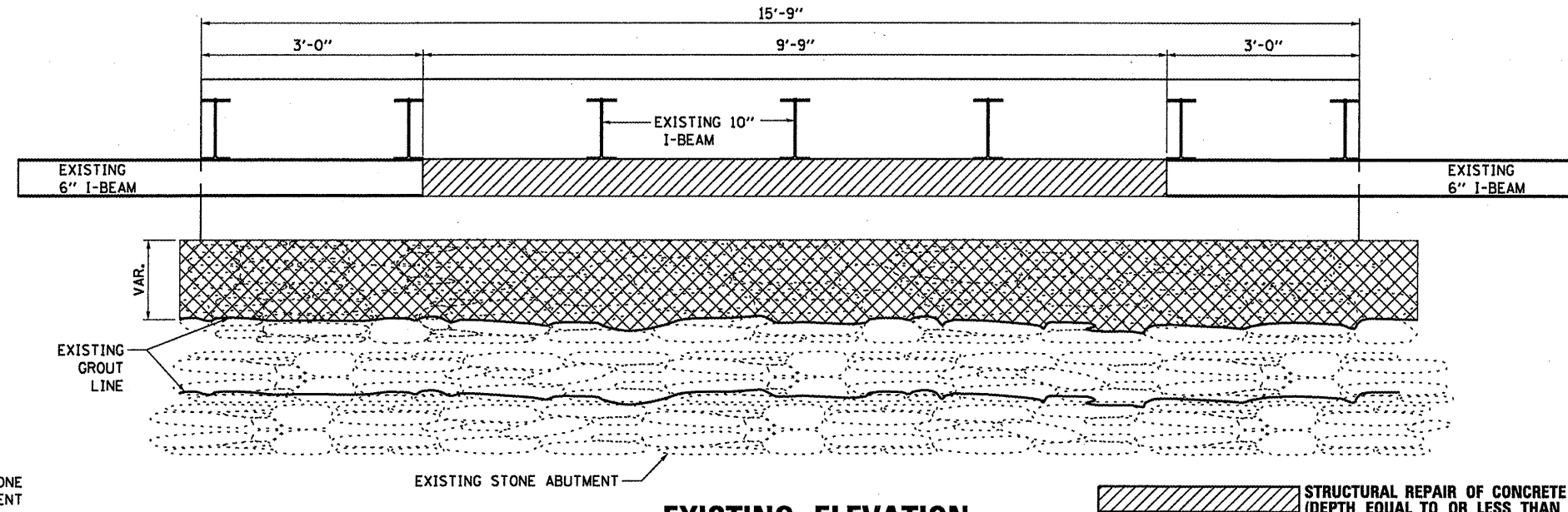
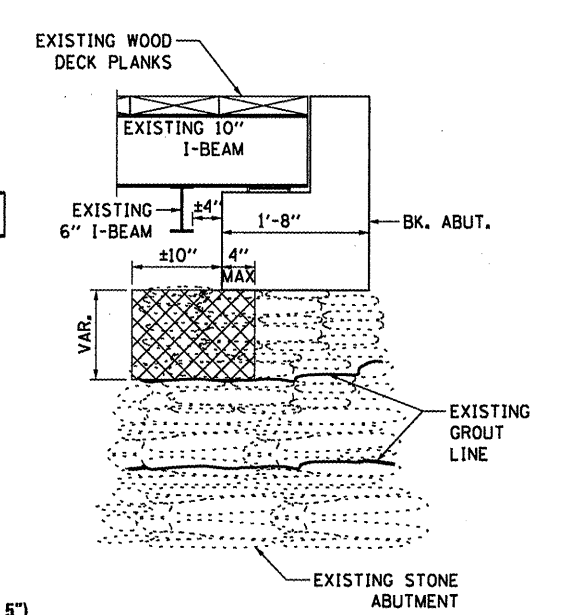


**END ELEVATION
EAST END**

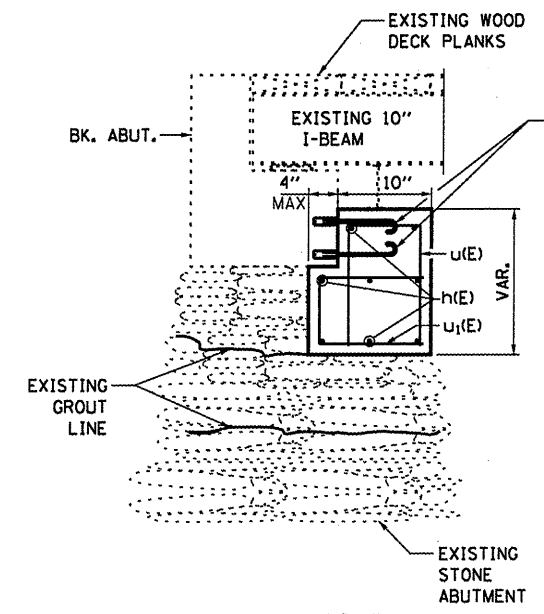


**EXISTING ELEVATION
SOUTH ABUTMENT**

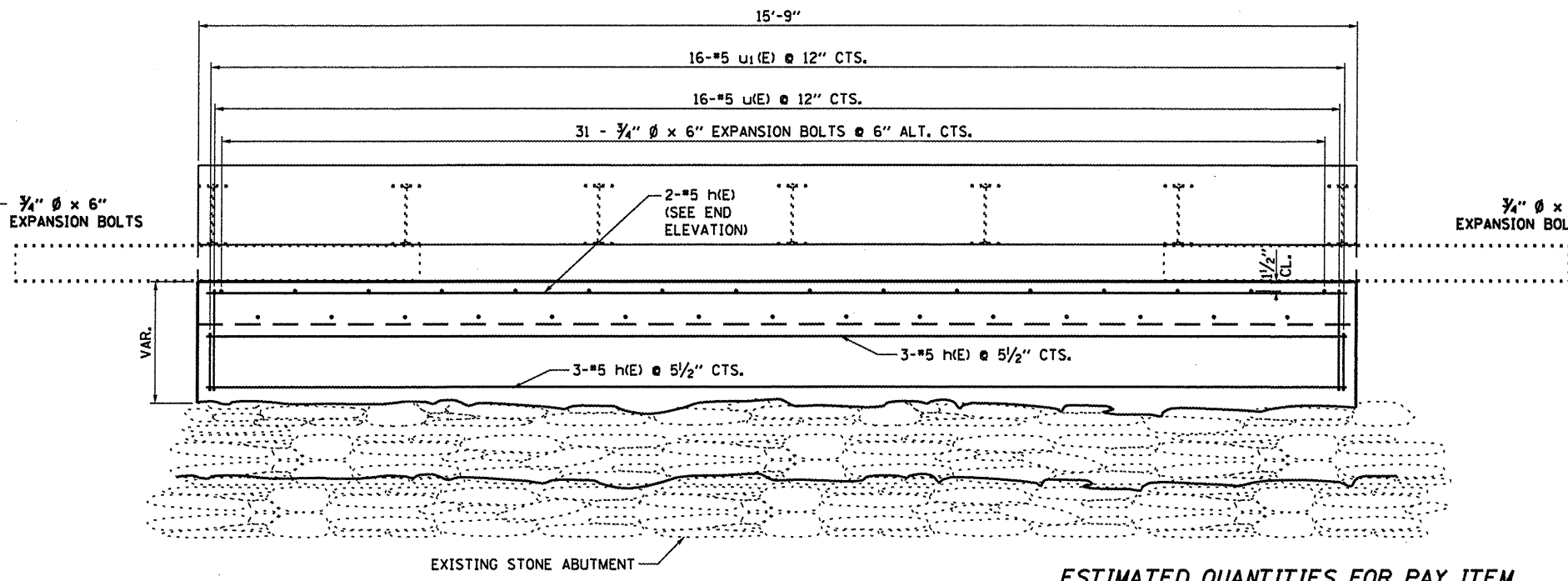
STRUCTURAL REPAIR OF CONCRETE (DEPTH EQUAL TO OR LESS THAN 5")
 CONCRETE REMOVAL



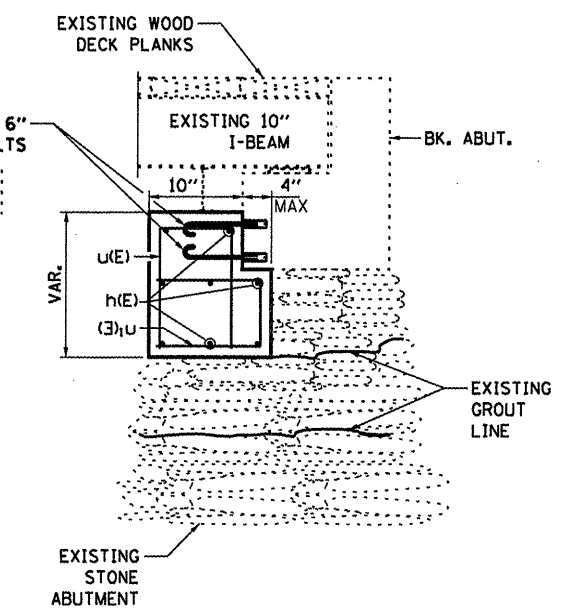
**END ELEVATION
WEST END**



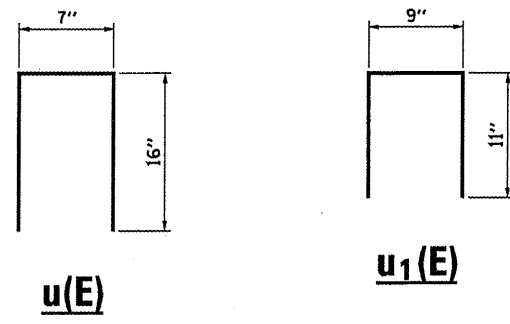
**END ELEVATION
EAST END**



**PROPOSED ELEVATION
SOUTH ABUTMENT**



**END ELEVATION
WEST END**



**ESTIMATED QUANTITIES FOR PAY ITEM
"STONE MASONRY REPAIRS & REPLACEMENT"
FOR INFORMATION ONLY**

Bar	No.	Size	Length	Shape
h(E)	8	#5	15'-0"	
u(E)	16	#5	1'-11"	
u1(E)	16	#5	1'-8"	
STONE REMOVAL		CU. YD.	1.2	
CONCRETE		CU. YD.	1.2	
SUPERSTRUCTURE				
REINFORCEMENT BARS EPOXY COATED		POUND	185	
EXPANSION BOLTS 3/4" x 6"		EACH	31	
MASONRY CLEANING AND TUCK POINTING		SQ YD	11	

BILL OF MATERIAL

ITEM	UNIT	SUPER	SUB	TOTAL
STRUCTURAL REPAIR OF CONCRETE (DEPTH LESS THAN OR EQUAL TO 5")	SQ FT		7	7
STONE MASONRY REPAIRS AND REPLACEMENT	L SUM		1	1

FILE NAME =	USER NAME = carpenterd_j	DESIGNED RON WOODSHANK	REVISED -
c:\pwork\pwork\carpenterd_j\0282868	0366872-shr-detail.dgn	DRAWN RON WOODSHANK	REVISED -
	PLOT SCALE = 1/8" = 1' / in.	CHECKED -	REVISED -
	PLOT DATE = 4/5/2012	DATE -	REVISED -

STATE OF ILLINOIS
DEPARTMENT OF TRANSPORTATION

SOUTH ABUTMENT DETAILS
SCALE: SHEET NO. 5 OF 6 SHEETS STA. TO STA.

T.R. RTE. 246	SECTION (ORCB)BP-2	COUNTY BUREAU	TOTAL SHEETS 11	SHEET NO. 10
ILLINOIS FED. AID PROJECT			CONTRACT NO. 66B72	